



HK

HONG KONG

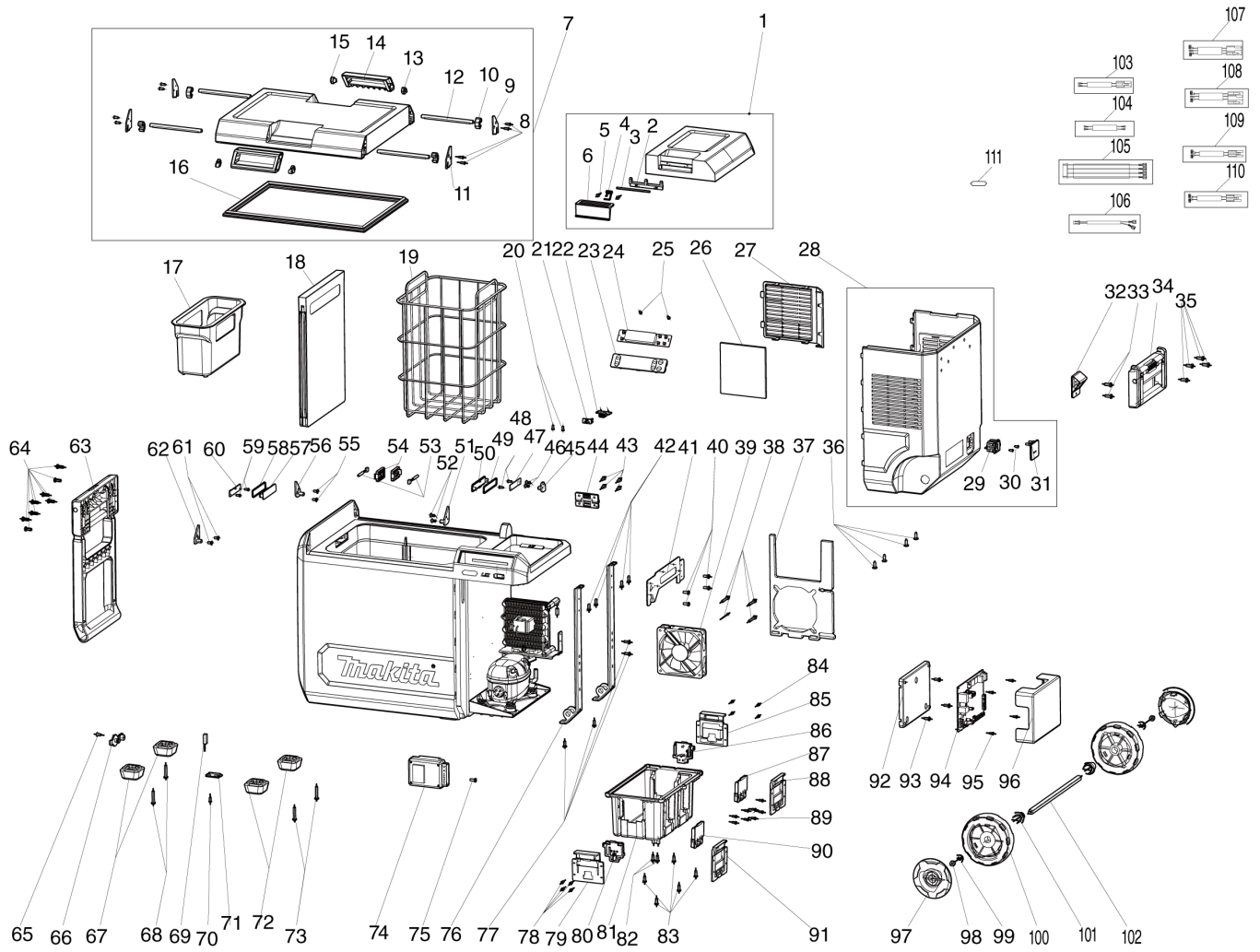
# Diagram / Parts List

**CW004G**

**CORDLESS COOLER & WARMER BOX**



# (HK) CW004G / CORDLESS COOLER & WARMER BOX



HK

HONG KONG

## CW004G / CORDLESS COOLER\_WARMER BOX

Item	Sub	Parts No.	Parts Description	Qty	I/C	E/C No.	Close No.	Remark
001		CE00000094	BATTERY COVER	1				
	D10		INC. 2-6					
002		CE00000023	LATCH HOLDER	1				
003		CE00000089	SHAFT	1				
004		CE00000090	TORSION SPRING	1				
005		CE00000058	TAPPING SCREWS ST3.5X9.5	2				
006		CE00000022	LATCH	1				
007		CE00000091	TOP COVER (BLUE)	1				
	C10	CE00000107	CAUTION LABEL	1				
	D10		INC. 8-16					
008		CE00000056	TAPPING SCREWS ST3.5X13	8				
009		CE00000082	SHAFT PLATE A	2				
010		CE00000016	BUCKLE	4				
011		CE00000083	SHAFT PLATE B	2				
012		CE00000081	SHAFT	4				
013		CE00000017	KNOB COVER A	2				
014		CE00000015	KNOB	2				
015		CE00000018	KNOB COVER B	2				
016		CE00000075	SEALING	1				
017		CE00000009	TRAY	1				
018		CE00000093	PARTITION	1				
019		CE00000008	BASKET	1				
020		CE00000061	TAPPING SCREWS ST2.9X9.5	2				
021		CE00000078	USB COVER	1				
022		CE00000049	USB PCB	1				
023		CE00000027	DISPLAY PANEL	1				
024		CE00000048	DISPLAY CONTROL PANEL	1				
025		CE00000061	TAPPING SCREWS ST2.9X9.5	2				
026		CE00000035	FILTER	1				
027		CE00000019	OUTLET COVER (BLUE)	1				
028		CE00000097	REAR COVER ASSY (BLUE)	1				
	D10		INC. 29-31					
029		CE00000039	DC IN SOCKET	1				
	C10	CE00000100	FUSE	1				
030		CE00000062	TAPPING SCREWS ST2.9X10	2				
031		CE00000080	DC IN SOCKET COVER	1				
032		CE00000012	BOTTLE OPENER	1				
033		CE00000068	PAN HEAD SCREW M5X14	2				
034		CE00000095	SHORT HANDLE ASSEMBLY	1				
035		CE00000070	PAN HEAD SCREW M5X14	4				
036		CE00000065	PAN HEAD SCREW ST4X16	4				
037		CE00000099	SEPARATOR	1				
038		CE00000066	PAN HEAD SCREW M5X35	4				
039		CE00000054	DC FAN	1				
040		CE00000067	SCREW M4X35	4				
041		CE00000011	HADLE PLATE	1				
042		CE00000060	TAPPING SCREWS ST4.2X16	4				
043		CE00000059	TAPPING SCREWS ST4.2X16	4				
044		CE00000088	HINGE	1				
045		CE00000086	SHAFT PLATE A	1				
046		CE00000071	C.H TAPPING SCREWS 4X8	2				
047		CE00000038	LED PCB	1				
048		CE00000061	TAPPING SCREWS ST2.9X9.5	2				
049		CE00000076	SILICON RING	1				
050		CE00000032	LED COVER	1				
051		CE00000085	SHAFT PLATE B	1				
052		CE00000071	C.H TAPPING SCREWS 4X8	2				
053		CE00000055	THERMOSENSOR	2				
054		CE00000033	THERMOSENSOR COVER	2				
055		CE00000071	C.H TAPPING SCREWS 4X8	2				
056		CE00000085	SHAFT PLATE B	1				
057		CE00000032	LED COVER	1				
058		CE00000076	SILICON RING	1				
059		CE00000061	TAPPING SCREWS ST2.9X9.5	2				
060		CE00000038	LED PCB	1				

A:

Interchange

O : Yes

X : No

&lt; : the new part can be substituted for the current.

&gt; : the current part can be substituted for the new.

S : Interchangeable as a set.

<b>HK</b>	<b>HONG KONG</b>
-----------	------------------

**CW004G / CORDLESS COOLER\_WARMER BOX**

Item	Sub	Parts No.	Parts Description	Qty	I/C	E/C No.	Close No.	Remark
061		CE00000071	C.H TAPPING SCREWS 4X8	2				
062		CE00000084	SHAFT PLATE C	1				
063		CE00000096	LONG HADLE	1				
064		CE00000070	PAN HEAD SCREW M5X14	8				
065		CE00000063	C.H TAPPING SCREWS 4X16	1				
066		CE00000079	DRAIN PLUG	1				
067		CE00000077	FOOT	2				
068		CE00000069	PAN HEAD SCREW M4X30	2				
069		CE00000036	MAGNETIC SWITCH	1				
070		CE00000062	TAPPING SCREWS ST2.9X10	1				
071		CE00000013	MAGNETIC SWITCH COVER (BLUE)	1				
072		CE00000077	FOOT	2				
073		CE00000069	PAN HEAD SCREW M4X30	2				
074		CE00000034	COMPRESSOR PCB	1				
075		CE00000072	PAN HEAD SCREW M4X8	1				
076		CE00000010	COMPRESSOR BRACKET	2				
077		CE00000067	SCREW M4X35	4				
078		CE00000061	TAPPING SCREWS ST2.9X9.5	4				
079		CE00000025	TERMINAL COVER	1				
080		CE00000053	TERMINAL	1				
081		CE00000024	BATTERY BOX	1				
082		CE00000057	TAPPING SCREWS 4.2X16	2				
083		CE00000060	TAPPING SCREWS ST4.2X16	5				
084		CE00000061	TAPPING SCREWS ST2.9X9.5	4				
085		CE00000025	TERMINAL COVER	1				
086		CE00000053	TERMINAL	1				
087		CE00000037	TERMINAL	1				
088		CE00000026	TERMINAL COVER	1				
089		CE00000061	TAPPING SCREWS ST2.9X9.5	8				
090		CE00000052	TERMINAL	1				
091		CE00000026	TERMINAL COVER	1				
092		CE00000020	CONTROL PCB HOLDER	1				
093		CE00000064	SCREW SUS304 ST4.8X13	3				
094		CE00000127	CONTROL PCB	1				
095		CE00000061	TAPPING SCREWS ST2.9X9.5	4				
096		CE00000021	CONTROL PCB COVER	1				
097		CE00000030	WHEEL COVER	2				
098		CE00000073	HEX. LOCK NUT M6	2				
099		CE00000074	FLAT WASHER	2				
100		CE00000029	WHEEL	2				
101		CE00000028	SHAFT SLEEVE	2				
102		CE00000087	WHEEL SHAFT	1				
103		CE00000047	DC CABLE	1				
104		CE00000042	CONTROL BOARD CONNECTION CABL	1				
105		CE00000041	MODULE CONNECTION CABLE	1				
106		CE00000040	MAGNETIC CABLE	1				
107		CE00000043	18V DC CONNECTION CABLE 1	1				
108		CE00000044	18V DC CONNECTION CABLE 2	1				
109		CE00000045	36V DC CONNECTION CABLE 1	1				
110		CE00000046	36V DC CONNECTION CABLE 2	1				
111		CE00000105	XGT LOGO LABEL	1				
A01		CE00000112	AC ADAPTOR ASSY E	1				
	C10	CE00000121	AC POWER CORD E	1				
A02		CE00000007	CIGAR SOCKET	1				
A03		A-76956	SHOULDER BELT	1				

A:	Interchange O : Yes X : No < : the new part can be substituted for the current. > : the current part can be substituted for the new. S : interchangeable as a set.
----	---