



HK

HONG KONG

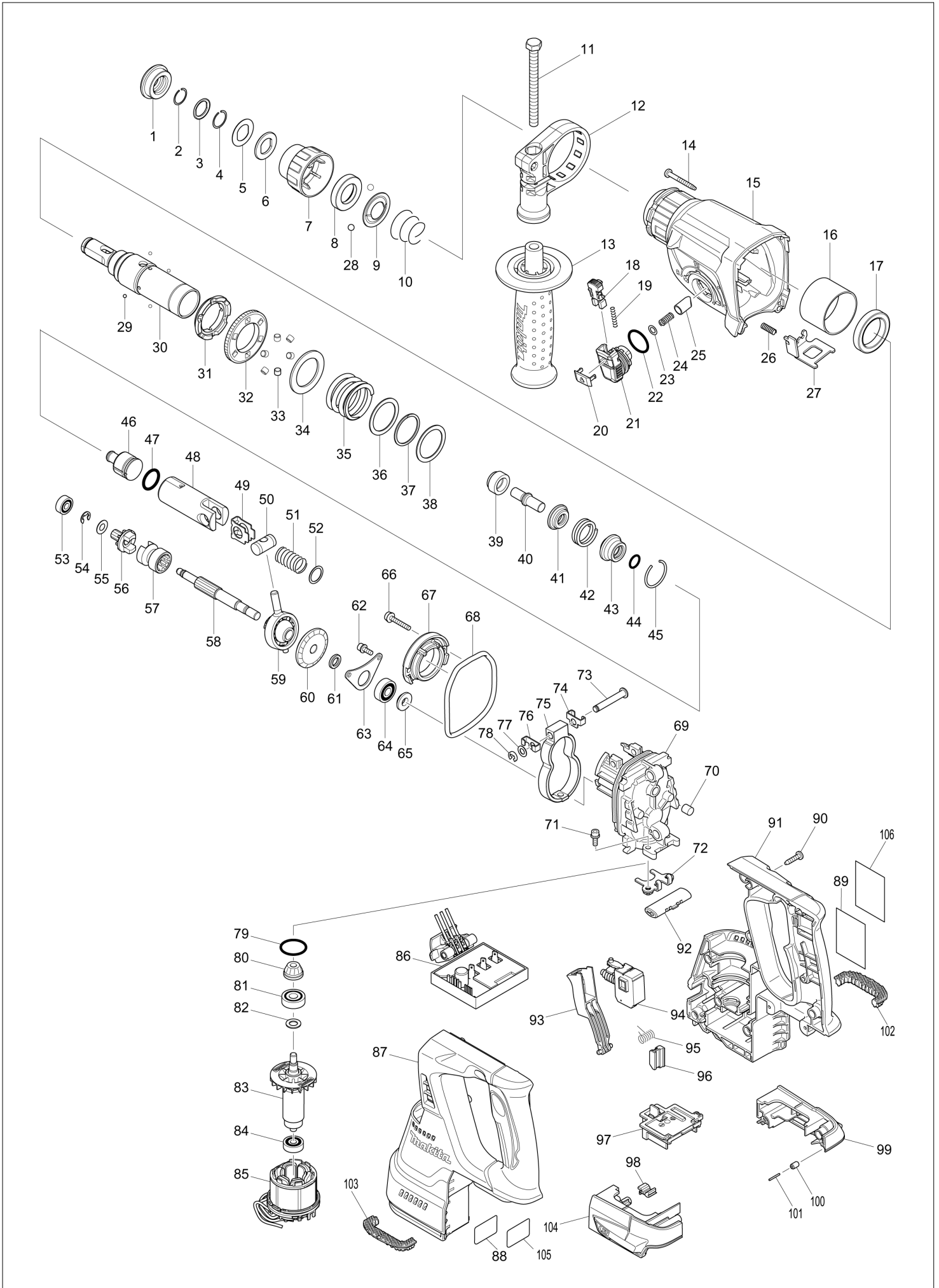
Diagram / Parts List

DHR242

24MM CORDLESS COMBI. HAMMER



(HK) DHR242 / 24MM CORDLESS COMBI. HAMMER



HK

HONG KONG

DHR242 / 24MM CORDLESS COMBI. HAMMER

Item	Sub	Parts No.	Parts Description	Qty	I/C	E/C No.	Close No.	Remark
001		286288-8	CAP 35	1				
002		233989-9	RING SPRING 14	1				
003		346221-3	WASHER 16	1				
004		233992-0	RING SPRING 15	1				
005		267437-6	FLAT WASHER 17	1				
006		424364-2	RUBBER WASHER 16	1				
007		451533-2	CHUCK COVER	1				
008		325813-1	RING 21	1				
009		346177-0	GUIDE WASHER	1				
010		233916-6	CONICAL COMP. SPRING 21-29	1				
011		266745-2	HEX.BOLT M8X90	1				
012		453129-5	GRIP BASE	1				
013		158057-6	GRIP 36 COMPLETE	1				
014		266351-3	TAPPING SCREW 4X35	4				
015D		141229-0	GEAR HOUSING COMPLETE	1			B5020	
	C10	213345-9	OIL SEAL 25	1			B5020	
	C20	890903-4	INDICATION LABEL	1			B5020	
015E		141229-0	GEAR HOUSING COMPLETE	1			B5020	
	C10	213345-9	OIL SEAL 25	1			B5020	
	C20	890903-4	INDICATION LABEL	1			B5020	
015F		141229-0	GEAR HOUSING COMPLETE	1			B5020	
	C10	213345-9	OIL SEAL 25	1			B5020	
	C20	890903-4	INDICATION LABEL	1			B5020	
015G		141229-0	GEAR HOUSING COMPLETE	1			B5020	
	C10	213345-9	OIL SEAL 25	1			B5020	
	C20	890903-4	INDICATION LABEL	1			B5020	
015U		141229-0	GEAR HOUSING COMPLETE	1			B5020	
	C10	213345-9	OIL SEAL 25	1			B5020	
	C20	890903-4	INDICATION LABEL	1			B5020	
015V		141229-0	GEAR HOUSING COMPLETE	1			B5020	
	C10	213345-9	OIL SEAL 25	1			B5020	
	C20	890903-4	INDICATION LABEL	1			B5020	
015W		141229-0	GEAR HOUSING COMPLETE	1			B5020	
	C10	213345-9	OIL SEAL 25	1			B5020	
	C20	890903-4	INDICATION LABEL	1			B5020	
015X		141229-0	GEAR HOUSING COMPLETE	1			B5020	
	C10	213345-9	OIL SEAL 25	1			B5020	
	C20	890903-4	INDICATION LABEL	1			B5020	
015Y		141229-0	GEAR HOUSING COMPLETE	1			B5020	
	C10	213345-9	OIL SEAL 25	1			B5020	
	C20	890903-4	INDICATION LABEL	1			B5020	
015Z		141229-0	GEAR HOUSING COMPLETE	1			B5020	
	C10	213345-9	OIL SEAL 25	1			B5020	
	C20	890903-4	INDICATION LABEL	1			B5020	
015-1D		144354-6	GEAR HOUSING COMPLETE	1	<	B5020		
	C10	213345-9	OIL SEAL 25	1		B5020		
	C20	810X86-8	INDICATION LABEL	1	<	B5020		
015-1E		144354-6	GEAR HOUSING COMPLETE	1	<	B5020		
	C10	213345-9	OIL SEAL 25	1		B5020		
	C20	810X86-8	INDICATION LABEL	1	<	B5020		
015-1F		144354-6	GEAR HOUSING COMPLETE	1	<	B5020		
	C10	213345-9	OIL SEAL 25	1		B5020		
	C20	810X86-8	INDICATION LABEL	1	<	B5020		
015-1G		144354-6	GEAR HOUSING COMPLETE	1	<	B5020		
	C10	213345-9	OIL SEAL 25	1		B5020		
	C20	810X86-8	INDICATION LABEL	1	<	B5020		
015-1N		144354-6	GEAR HOUSING COMPLETE	1				
	C10	213345-9	OIL SEAL 25	1				
	C20	810X86-8	INDICATION LABEL	1				
015-1O		144354-6	GEAR HOUSING COMPLETE	1				
	C10	213345-9	OIL SEAL 25	1				
	C20	810X86-8	INDICATION LABEL	1				
015-1P		144354-6	GEAR HOUSING COMPLETE	1				
	C10	213345-9	OIL SEAL 25	1				
	C20	810X86-8	INDICATION LABEL	1				

D:DHR242RFE(H) P:DHR242GWX1(H) W:DHR242RFEV(H)
E:DHR242Z(N) Q:DHR242GVX1(H) X:DHR242RMEV(H)
F:DHR242RFEV(H) S:DHR242RTEV(H) Y:DHR242RFE(H)
G:DHR242RME(H) T:DHR242RTE(H) Z:DHR242Z(N)
N:DHR242RTEW(H) U:DHR242RMEV(H)
O:DHR242RFEW(H) V:DHR242RME(H)

Interchange
O : Yes
X : No
< : the new part can be substituted for the current.
> : the current part can be substituted for the new.
S : Interchangeable as a set.

HK

HONG KONG

DHR242 / 24MM CORDLESS COMBI. HAMMER

Item	Sub	Parts No.	Parts Description	Qty	I/C	E/C No.	Close No.	Remark
015-1Q		144354-6	GEAR HOUSING COMPLETE	1				
	C10	213345-9	OIL SEAL 25	1				
	C20	810X86-8	INDICATION LABEL	1				
015-1S		144354-6	GEAR HOUSING COMPLETE	1				
	C10	213345-9	OIL SEAL 25	1				
	C20	810X86-8	INDICATION LABEL	1				
015-1T		144354-6	GEAR HOUSING COMPLETE	1				
	C10	213345-9	OIL SEAL 25	1				
	C20	810X86-8	INDICATION LABEL	1				
015-1U		144354-6	GEAR HOUSING COMPLETE	1	<	B5020		
	C10	213345-9	OIL SEAL 25	1	<	B5020		
	C20	810X86-8	INDICATION LABEL	1	<	B5020		
015-1V		144354-6	GEAR HOUSING COMPLETE	1	<	B5020		
	C10	213345-9	OIL SEAL 25	1	<	B5020		
	C20	810X86-8	INDICATION LABEL	1	<	B5020		
015-1W		144354-6	GEAR HOUSING COMPLETE	1	<	B5020		
	C10	213345-9	OIL SEAL 25	1	<	B5020		
	C20	810X86-8	INDICATION LABEL	1	<	B5020		
015-1X		144354-6	GEAR HOUSING COMPLETE	1	<	B5020		
	C10	213345-9	OIL SEAL 25	1	<	B5020		
	C20	810X86-8	INDICATION LABEL	1	<	B5020		
015-1Y		144354-6	GEAR HOUSING COMPLETE	1	<	B5020		
	C10	213345-9	OIL SEAL 25	1	<	B5020		
	C20	810X86-8	INDICATION LABEL	1	<	B5020		
015-1Z		144354-6	GEAR HOUSING COMPLETE	1	<	B5020		
	C10	213345-9	OIL SEAL 25	1	<	B5020		
	C20	810X86-8	INDICATION LABEL	1	<	B5020		
016		331890-3	CUP SLEEVE	1				
017		211294-4	BALL BEARING 6806LLU	1				
018		454112-5	LOCK BUTTON	1				
019		234264-6	COMPRESSION SPRING 3	1				
020		453131-8	CHANGE LEVER COVER	1				
021		453125-3	CHANGE LEVER	1				
022		213381-5	O RING 21	1				
023		253308-3	THIN WASHER 6	1				
024		234147-0	COMPRESSION SPRING 5	1				
025D		325785-0	PUSH CORN	1			B4855	
025E		325785-0	PUSH CORN	1			B4855	
025F		325785-0	PUSH CORN	1			B4855	
025G		325785-0	PUSH CORN	1			B4855	
025U		325785-0	PUSH CORN	1			B4855	
025V		325785-0	PUSH CORN	1			B4855	
025W		325785-0	PUSH CORN	1			B4855	
025X		325785-0	PUSH CORN	1			B4855	
025Y		325785-0	PUSH CORN	1			B4855	
025Z		325785-0	PUSH CORN	1			B4855	
025-1D		326850-8	PUSH CORN	1	S	B4855		
025-1E		326850-8	PUSH CORN	1	S	B4855		
025-1F		326850-8	PUSH CORN	1	S	B4855		
025-1G		326850-8	PUSH CORN	1	S	B4855		
025-1N		326850-8	PUSH CORN	1				
025-1O		326850-8	PUSH CORN	1				
025-1P		326850-8	PUSH CORN	1				
025-1Q		326850-8	PUSH CORN	1				
025-1S		326850-8	PUSH CORN	1				
025-1T		326850-8	PUSH CORN	1				
025-1U		326850-8	PUSH CORN	1	S	B4855		
025-1V		326850-8	PUSH CORN	1	S	B4855		
025-1W		326850-8	PUSH CORN	1	S	B4855		
025-1X		326850-8	PUSH CORN	1	S	B4855		
025-1Y		326850-8	PUSH CORN	1	S	B4855		
025-1Z		326850-8	PUSH CORN	1	S	B4855		
026		233360-7	COMPRESSION SPRING 4	1				
027		346537-6	LOCK PLATE	1				
028		216022-2	STEEL BALL 7.0	2				

D:DHR242RFE(H)
E:DHR242Z(N)
F:DHR242RFEV(H)
G:DHR242RME(H)
N:DHR242RTEW(H)
O:DHR242RFEW(H)

P:DHR242GWX1(H)
Q:DHR242GVX1(H)
S:DHR242RTEV(H)
T:DHR242RTE(H)
U:DHR242RMEV(H)
V:DHR242RME(H)

W:DHR242RFEV(H)
X:DHR242RMEV(H)
Y:DHR242RFE(H)
Z:DHR242Z(N)

Interchange

O : Yes

X : No

< : the new part can be substituted for the current.

> : the current part can be substituted for the new.

S : Interchangeable as a set.

HK

HONG KONG

DHR242 / 24MM CORDLESS COMBI. HAMMER

Item	Sub	Parts No.	Parts Description	Qty	I/C	E/C No.	Close No.	Remark
029		216019-1	STEEL BALL 3	4				
030		140265-3	TOOL HOLDER COMPLETE	1				
031D		313149-0	DRIVING FLANGE	1			A6980	
031E		313149-0	DRIVING FLANGE	1			A6980	
031F		313149-0	DRIVING FLANGE	1			A6980	
031G		313149-0	DRIVING FLANGE	1			A6980	
031X		313149-0	DRIVING FLANGE	1			A6980	
031-1D		332139-4	DRIVING FLANGE	1	S	A6980		
031-1E		332139-4	DRIVING FLANGE	1	S	A6980		
031-1F		332139-4	DRIVING FLANGE	1	S	A6980		
031-1G		332139-4	DRIVING FLANGE	1	S	A6980		
031-1N		332139-4	DRIVING FLANGE	1				
031-1O		332139-4	DRIVING FLANGE	1				
031-1P		332139-4	DRIVING FLANGE	1				
031-1Q		332139-4	DRIVING FLANGE	1				
031-1S		332139-4	DRIVING FLANGE	1				
031-1T		332139-4	DRIVING FLANGE	1				
031-1U		332139-4	DRIVING FLANGE	1				
031-1V		332139-4	DRIVING FLANGE	1				
031-1W		332139-4	DRIVING FLANGE	1				
031-1X		332139-4	DRIVING FLANGE	1	S	A6980		
031-1Y		332139-4	DRIVING FLANGE	1				
031-1Z		332139-4	DRIVING FLANGE	1				
032D		227232-6	SPUR GEAR 51	1			A6980	
032E		227232-6	SPUR GEAR 51	1			A6980	
032F		227232-6	SPUR GEAR 51	1			A6980	
032G		227232-6	SPUR GEAR 51	1			A6980	
032X		227232-6	SPUR GEAR 51	1			A6980	
032-1D		227360-7	SPUR GEAR 51	1	S	A6980		
032-1E		227360-7	SPUR GEAR 51	1	S	A6980		
032-1F		227360-7	SPUR GEAR 51	1	S	A6980		
032-1G		227360-7	SPUR GEAR 51	1	S	A6980		
032-1N		227360-7	SPUR GEAR 51	1				
032-1O		227360-7	SPUR GEAR 51	1				
032-1P		227360-7	SPUR GEAR 51	1				
032-1Q		227360-7	SPUR GEAR 51	1				
032-1S		227360-7	SPUR GEAR 51	1				
032-1T		227360-7	SPUR GEAR 51	1				
032-1U		227360-7	SPUR GEAR 51	1				
032-1V		227360-7	SPUR GEAR 51	1				
032-1W		227360-7	SPUR GEAR 51	1				
032-1X		227360-7	SPUR GEAR 51	1	S	A6980		
032-1Y		227360-7	SPUR GEAR 51	1				
032-1Z		227360-7	SPUR GEAR 51	1				
033D		268226-2	PIN 6	6			A6980	
033E		268226-2	PIN 6	6			A6980	
033F		268226-2	PIN 6	6			A6980	
033G		268226-2	PIN 6	6			A6980	
033X		268226-2	PIN 6	6			A6980	
034D		267414-8	FLAT WASHER 30	1			A6980	
034E		267414-8	FLAT WASHER 30	1			A6980	
034F		267414-8	FLAT WASHER 30	1			A6980	
034G		267414-8	FLAT WASHER 30	1			A6980	
034X		267414-8	FLAT WASHER 30	1			A6980	
035		234148-8	COMPRESSION SPRING 31	1				
036		267153-0	FLAT WASHER 30	1				
037		257932-4	SPIRO LOCK WASHER 30	1				
038		267153-0	FLAT WASHER 30	1				
039		325783-4	SLEEVE 9B	1				
040		325789-2	IMPACT BOLT A	1				
041		325792-3	WASHER 10	1				
042		234149-6	COMPRESSION SPRING 20	1				
043		325793-1	O-RING CASE B	1				
044		213073-6	O RING 9	1				
045		233979-2	RING SPRING 28	1				

D:DHR242RFE(H)
E:DHR242Z(N)
F:DHR242RFEV(H)
G:DHR242RME(H)
N:DHR242RTEW(H)
O:DHR242RFEW(H)

P:DHR242GWX1(H)
Q:DHR242GVX1(H)
S:DHR242RTEV(H)
T:DHR242RTE(H)
U:DHR242RMEV(H)
V:DHR242RME(H)

W:DHR242RFEV(H)
X:DHR242RMEV(H)
Y:DHR242RFE(H)
Z:DHR242Z(N)

Interchange

O : Yes

X : No

< : the new part can be substituted for the current.

> : the current part can be substituted for the new.

S : Interchangeable as a set.

HK

HONG KONG

DHR242 / 24MM CORDLESS COMBI. HAMMER

Item	Sub	Parts No.	Parts Description	Qty	I/C	E/C No.	Close No.	Remark		
046		326139-4	STRIKER	1						
047		213258-4	O RING 17.5	1						
048		310345-1	PISTON CYLINDER	1						
049		346036-8	GUIDE PLATE	1						
050		324215-8	PISTON JOINT	1						
051		234098-7	COMPRESSION SPRING 14	1						
052		267447-3	FLAT WASHER 14	1						
053		211012-0	BALL BEARING 606ZZ	1						
054		257336-0	STOP RING EXT U-6	1						
055		253186-1	FLAT WASHER 7	1						
056		227231-8	SPUR GEAR 10	1						
057D		331814-9	CLUTCH CAM A	1			B4855			
057E		331814-9	CLUTCH CAM A	1			B4855			
057F		331814-9	CLUTCH CAM A	1			B4855			
057G		331814-9	CLUTCH CAM A	1			B4855			
057U		331814-9	CLUTCH CAM A	1			B4855			
057V		331814-9	CLUTCH CAM A	1			B4855			
057W		331814-9	CLUTCH CAM A	1			B4855			
057X		331814-9	CLUTCH CAM A	1			B4855			
057Y		331814-9	CLUTCH CAM A	1			B4855			
057Z		331814-9	CLUTCH CAM A	1			B4855			
057-1D		326849-3	CLUTCH CAM A	1	S	B4855				
057-1E		326849-3	CLUTCH CAM A	1	S	B4855				
057-1F		326849-3	CLUTCH CAM A	1	S	B4855				
057-1G		326849-3	CLUTCH CAM A	1	S	B4855				
057-1N		326849-3	CLUTCH CAM A	1						
057-1O		326849-3	CLUTCH CAM A	1						
057-1P		326849-3	CLUTCH CAM A	1						
057-1Q		326849-3	CLUTCH CAM A	1						
057-1S		326849-3	CLUTCH CAM A	1						
057-1T		326849-3	CLUTCH CAM A	1						
057-1U		326849-3	CLUTCH CAM A	1	S	B4855				
057-1V		326849-3	CLUTCH CAM A	1	S	B4855				
057-1W		326849-3	CLUTCH CAM A	1	S	B4855				
057-1X		326849-3	CLUTCH CAM A	1	S	B4855				
057-1Y		326849-3	CLUTCH CAM A	1	S	B4855				
057-1Z		326849-3	CLUTCH CAM A	1	S	B4855				
058		326140-9	CAM SHAFT	1						
059		219020-5	SWASH BEARING 10	1						
060		227588-7	SPIRAL BEVEL GEAR 32	1						
061		257323-9	RING 8	1						
062		922118-6	HEX. SOCKET HEAD BOLT M4X12	2						
063		346038-4	BEARING RETAINER B	1						
064		211032-4	BALL BEARING 608ZZ	1						
065		324212-4	RING 8	1						
066		922147-9	HEX. SOCKET HEAD BOLT M4X25	2						
067		141230-5	INNER SUPPORT COMPLETE	1						
068		213767-3	O-RING 75	1						
069		318810-4	INNER HOUSING	1						
070		443153-6	FELT	1						
071		922118-6	HEX. SOCKET HEAD BOLT M4X12	2						
072		346536-8	BEARING RETAINER A	1						
073		256536-9	FLAT FILLISTER HD PIN 6	1						
074		346538-4	WEIGHT HOLDER GUIDE	1						
075		313224-2	COUNTER WEIGHT	1						
076		346538-4	WEIGHT HOLDER GUIDE	1						
077		253726-5	FLAT WASHER 6	1						
078		961018-5	STOP RING E-5	1						
079		213008-7	O RING 22.4	1						
080		141458-5	SPIRAL BEVEL GEAR 11 COMPLETE	1						
081		210024-0	BALL BEARING 608LLU	1						
082		253835-0	FLAT WASHER 8	1						
083		619293-4	ROTOR	1			DG312			
083-1		619737-4	ROTOR	1	S	DG312				
	D10		INC. 80-82,84			DG312				
D:DHR242RFE(H) E:DHR242Z(N) F:DHR242RFEV(H) G:DHR242RME(H) N:DHR242RTEW(H) O:DHR242RFEW(H)						P:DHR242GWX1(H) Q:DHR242GVX1(H) S:DHR242RTEV(H) T:DHR242RTE(H) U:DHR242RMEV(H) V:DHR242RME(H)		W:DHR242RFEV(H) X:DHR242RMEV(H) Y:DHR242RFE(H) Z:DHR242Z(N)		Interchange O : Yes X : No < : the new part can be substituted for the current. > : the current part can be substituted for the new. S : Interchangeable as a set.

HK

HONG KONG

DHR242 / 24MM CORDLESS COMBI. HAMMER

Item	Sub	Parts No.	Parts Description	Qty	I/C	E/C No.	Close No.	Remark
084		210022-4	BALL BEARING 626DDW	1				
085D		629922-1	STATOR	1			Y07053	
085E		629922-1	STATOR	1			Y07053	
085F		629922-1	STATOR	1			Y07053	
085G		629922-1	STATOR	1			Y07053	
085X		629922-1	STATOR	1			Y07053	
085-1D		529922-0	STATOR ASS'Y	1	<	Y07053	A9880	
085-1E		529922-0	STATOR ASS'Y	1	<	Y07053	A9880	
085-1F		529922-0	STATOR ASS'Y	1	<	Y07053	A9880	
085-1G		529922-0	STATOR ASS'Y	1	<	Y07053	A9880	
085-1X		529922-0	STATOR ASS'Y	1	<	Y07053	A9880	
085-2D		529187-4	STATOR ASS'Y	1	S	A9880		
085-2E		529187-4	STATOR ASS'Y	1	S	A9880		
085-2F		529187-4	STATOR ASS'Y	1	S	A9880		
085-2G		529187-4	STATOR ASS'Y	1	S	A9880		
085-2N		529187-4	STATOR ASS'Y	1				
085-2O		529187-4	STATOR ASS'Y	1				
085-2P		529187-4	STATOR ASS'Y	1				
085-2Q		529187-4	STATOR ASS'Y	1				
085-2S		529187-4	STATOR ASS'Y	1				
085-2T		529187-4	STATOR ASS'Y	1				
085-2U		529187-4	STATOR ASS'Y	1				
085-2V		529187-4	STATOR ASS'Y	1				
085-2W		529187-4	STATOR ASS'Y	1				
085-2X		529187-4	STATOR ASS'Y	1	S	A9880		
085-2Y		529187-4	STATOR ASS'Y	1				
085-2Z		529187-4	STATOR ASS'Y	1				
086		620241-8	CONTROLLER	1			DL611	
086-1		620G68-8	CONTROLLER	1	<	DL611		
087D		187687-6	HOUSING SET	1			A6091	
	D10		INC. 91				A6091	
087E		187687-6	HOUSING SET	1			A6091	
	D10		INC. 91				A6091	
087F		187687-6	HOUSING SET	1			A6091	
	D10		INC. 91				A6091	
087-1D		183A34-5	HOUSING SET	1	<	A6091	A9880	
	D10		INC. 91			A6091	A9880	
087-1E		183A34-5	HOUSING SET	1	<	A6091	A9880	
	D10		INC. 91			A6091	A9880	
087-1F		183A34-5	HOUSING SET	1	<	A6091	A9880	
	D10		INC. 91			A6091	A9880	
087-1G		183A34-5	HOUSING SET	1			A9880	
	D10		INC. 91				A9880	
087-1X		183A34-5	HOUSING SET	1			A9880	
	D10		INC. 91				A9880	
087-2D		183C02-0	HOUSING SET	1	S	A9880	D2436	
	D10		INC. 91			A9880	D2436	
087-2E		183C02-0	HOUSING SET	1	S	A9880	D2436	
	D10		INC. 91			A9880	D2436	
087-2F		183C02-0	HOUSING SET	1	S	A9880	D2436	
	D10		INC. 91			A9880	D2436	
087-2G		183C02-0	HOUSING SET	1	S	A9880	D2436	
	D10		INC. 91			A9880	D2436	
087-2N		183C02-0	HOUSING SET	1			D2436	
	D10		INC. 91				D2436	
087-2O		183C02-0	HOUSING SET	1			D2436	
	D10		INC. 91				D2436	
087-2P		183C02-0	HOUSING SET	1			D2436	
	D10		INC. 91				D2436	
087-2Q		183C02-0	HOUSING SET	1			D2436	
	D10		INC. 91				D2436	
087-2S		183C02-0	HOUSING SET	1			D2436	
	D10		INC. 91				D2436	
087-2T		183C02-0	HOUSING SET	1			D2436	
	D10		INC. 91				D2436	
D:DHR242RFE(H) E:DHR242Z(N) F:DHR242RFEV(H) G:DHR242RME(H) N:DHR242RTEW(H) O:DHR242RFEW(H)	P:DHR242GWX1(H) Q:DHR242GVX1(H) S:DHR242RTEV(H) T:DHR242RTE(H) U:DHR242RMEV(H) V:DHR242RME(H)	W:DHR242RFEV(H) X:DHR242RMEV(H) Y:DHR242RFE(H) Z:DHR242Z(N)	Interchange O : Yes X : No < : the new part can be substituted for the current. > : the current part can be substituted for the new. S : Interchangeable as a set.					

HK

HONG KONG

DHR242 / 24MM CORDLESS COMBI. HAMMER

Item	Sub	Parts No.	Parts Description	Qty	I/C	E/C No.	Close No.	Remark
087-2U		183C02-0	HOUSING SET	1			D2436	
	D10		INC. 91				D2436	
087-2V		183C02-0	HOUSING SET	1			D2436	
	D10		INC. 91				D2436	
087-2W		183C02-0	HOUSING SET	1			D2436	
	D10		INC. 91				D2436	
087-2X		183C02-0	HOUSING SET	1	S	A9880	D2436	
	D10		INC. 91			A9880	D2436	
087-2Y		183C02-0	HOUSING SET	1			D2436	
	D10		INC. 91				D2436	
087-2Z		183C02-0	HOUSING SET	1			D2436	
	D10		INC. 91				D2436	
087-3		183C02-0	HOUSING SET	1	O	D2436		
	D10		INC. 91			D2436		
088		815B57-8	DHR242 SERIAL NO. LABEL	1				
089		815A38-6	DHR242 NAME PLATE	1				
090		266326-2	TAPPING SCREW 4X18	10			D2436	
090-1		266326-2	TAPPING SCREW 4X18	10	O	D2436		
091D		187687-6	HOUSING SET	1			A6091	
	D10		INC. 87				A6091	
091E		187687-6	HOUSING SET	1			A6091	
	D10		INC. 87				A6091	
091F		187687-6	HOUSING SET	1			A6091	
	D10		INC. 87				A6091	
091-1D		183A34-5	HOUSING SET	1	<	A6091	A9880	
	D10		INC. 87			A6091	A9880	
091-1E		183A34-5	HOUSING SET	1	<	A6091	A9880	
	D10		INC. 87			A6091	A9880	
091-1F		183A34-5	HOUSING SET	1	<	A6091	A9880	
	D10		INC. 87			A6091	A9880	
091-1G		183A34-5	HOUSING SET	1			A9880	
	D10		INC. 87				A9880	
091-1X		183A34-5	HOUSING SET	1			A9880	
	D10		INC. 87				A9880	
091-2D		183C02-0	HOUSING SET	1	S	A9880	D2436	
	D10		INC. 87			A9880	D2436	
091-2E		183C02-0	HOUSING SET	1	S	A9880	D2436	
	D10		INC. 87			A9880	D2436	
091-2F		183C02-0	HOUSING SET	1	S	A9880	D2436	
	D10		INC. 87			A9880	D2436	
091-2G		183C02-0	HOUSING SET	1	S	A9880	D2436	
	D10		INC. 87			A9880	D2436	
091-2N		183C02-0	HOUSING SET	1			D2436	
	D10		INC. 87				D2436	
091-2O		183C02-0	HOUSING SET	1			D2436	
	D10		INC. 87				D2436	
091-2P		183C02-0	HOUSING SET	1			D2436	
	D10		INC. 87				D2436	
091-2Q		183C02-0	HOUSING SET	1			D2436	
	D10		INC. 87				D2436	
091-2S		183C02-0	HOUSING SET	1			D2436	
	D10		INC. 87				D2436	
091-2T		183C02-0	HOUSING SET	1			D2436	
	D10		INC. 87				D2436	
091-2U		183C02-0	HOUSING SET	1			D2436	
	D10		INC. 87				D2436	
091-2V		183C02-0	HOUSING SET	1			D2436	
	D10		INC. 87				D2436	
091-2W		183C02-0	HOUSING SET	1			D2436	
	D10		INC. 87				D2436	
091-2X		183C02-0	HOUSING SET	1	S	A9880	D2436	
	D10		INC. 87			A9880	D2436	
091-2Y		183C02-0	HOUSING SET	1			D2436	
	D10		INC. 87				D2436	
091-2Z		183C02-0	HOUSING SET	1			D2436	

D:DHR242RFE(H)
E:DHR242Z(N)
F:DHR242RFEV(H)
G:DHR242RME(H)
N:DHR242RTEW(H)
O:DHR242RFEW(H)

P:DHR242GWX1(H)
Q:DHR242GVX1(H)
S:DHR242RTEV(H)
T:DHR242RTE(H)
U:DHR242RMEV(H)
V:DHR242RME(H)

W:DHR242RFEV(H)
X:DHR242RMEV(H)
Y:DHR242RFE(H)
Z:DHR242Z(N)

Interchange

O : Yes

X : No

< : the new part can be substituted for the current.

> : the current part can be substituted for the new.

S : Interchangeable as a set.

HK

HONG KONG

DHR242 / 24MM CORDLESS COMBI. HAMMER

Item	Sub	Parts No.	Parts Description	Qty	I/C	E/C No.	Close No.	Remark
	D10		INC. 87				D2436	
091-3		183C02-0	HOUSING SET	1	O	D2436		
	D10		INC. 87			D2436		
092		453124-5	F/R CHANGE LEVER	1				
093		453123-7	SWITCH LEVER	1				
094		650709-0	SWITCH C3JW-1A-P	1				
095		233598-4	TORSION SPRING 6	1				
096		313226-8	OPENER	1				
097		644808-8	TERMINAL	1				
098		424476-1	CUSHION	1				
099		187377-1	BATTERY HOUSING SET	1				
	C10	263005-3	RUBBER PIN 6	2				
	D10		INC. 104					
100		263036-2	RUBBER PIN 5	1				
101		268184-2	PIN 1.5	1				
102		424473-7	CUSHION RUBBER	1				
103		424473-7	CUSHION RUBBER	1				
104		187377-1	BATTERY HOUSING SET	1				
	C10	263005-3	RUBBER PIN 6	2				
	D10		INC. 99					
105		893072-0	CLEAR LABEL	1				
106		890994-5	CLEAR LABEL	1			DL232	
107D		424734-5	SPONGE	2	S	A9880		
107E		424734-5	SPONGE	2	S	A9880		
107F		424734-5	SPONGE	2	S	A9880		
107G		424734-5	SPONGE	2	S	A9880		
107N		424734-5	SPONGE	2				
107O		424734-5	SPONGE	2				
107P		424734-5	SPONGE	2				
107Q		424734-5	SPONGE	2				
107S		424734-5	SPONGE	2				
107T		424734-5	SPONGE	2				
107U		424734-5	SPONGE	2				
107V		424734-5	SPONGE	2				
107W		424734-5	SPONGE	2				
107X		424734-5	SPONGE	2	S	A9880		
107Y		424734-5	SPONGE	2				
107Z		424734-5	SPONGE	2				
A01		324219-0	DEPTH GAUGE	1				
A02D		***DC18RC	DC18RC FAST CHARGER	1				
A02F		***DC18RC	DC18RC FAST CHARGER	1				
A02G		***DC18RC	DC18RC FAST CHARGER	1				
A02N		***DC18RC	DC18RC FAST CHARGER	1				
A02O		***DC18RC	DC18RC FAST CHARGER	1				
A02P		***DC18RC	DC18RC FAST CHARGER	1				
A02Q		***DC18RC	DC18RC FAST CHARGER	1				
A02S		***DC18RC	DC18RC FAST CHARGER	1				
A02T		***DC18RC	DC18RC FAST CHARGER	1				
A02U		***DC18RC	DC18RC FAST CHARGER	1				
A02V		***DC18RC	DC18RC FAST CHARGER	1				
A02W		***DC18RC	DC18RC FAST CHARGER	1				
A02X		***DC18RC	DC18RC FAST CHARGER	1				
A02Y		***DC18RC	DC18RC FAST CHARGER	1				
A03D		194204-5	BATTERY BL1830 SET	2			A5588	
A03F		194204-5	BATTERY BL1830 SET	2			A5588	
A03G		196399-0	BATTERY BL1840 SET	2			A5588	
A03X		196399-0	BATTERY BL1840 SET	2			A5588	
A03-1D		194204-5	BATTERY BL1830 SET	2	O	A5588	B2535	
A03-1F		194204-5	BATTERY BL1830 SET	2	O	A5588	B2535	
A03-1G		196399-0	BATTERY BL1840 SET	2	O	A5588	A9784	
A03-1W		194204-5	BATTERY BL1830 SET	2			B2535	
A03-1X		196399-0	BATTERY BL1840 SET	2	O	A5588	A9784	
A03-1Y		194204-5	BATTERY BL1830 SET	2			B2535	
A03-2D		197600-6	BATTERY BL1830B SET	2	<	B2535	C4176	
A03-2F		197600-6	BATTERY BL1830B SET	2	<	B2535	C4176	

D:DHR242RFE(H) P:DHR242GWX1(H) W:DHR242RFEV(H)
E:DHR242Z(N) Q:DHR242GVX1(H) X:DHR242RMEV(H)
F:DHR242RFEV(H) S:DHR242RTEV(H) Y:DHR242RFE(H)
G:DHR242RME(H) T:DHR242RTE(H) Z:DHR242Z(N)
N:DHR242RTEW(H) U:DHR242RMEV(H)
O:DHR242RFEW(H) V:DHR242RME(H)

Interchange
O : Yes
X : No
< : the new part can be substituted for the current.
> : the current part can be substituted for the new.
S : Interchangeable as a set.

HK

HONG KONG

DHR242 / 24MM CORDLESS COMBI. HAMMER

Item	Sub	Parts No.	Parts Description	Qty	I/C	E/C No.	Close No.	Remark
A03-2G		197265-4	BATTERY BL1840B SET	2	<	A9784	C5218	
A03-2N		197280-8	BATTERY BL1850B SET	2			C5219	
A03-2O		197600-6	BATTERY BL1830B SET	2			C4176	
A03-2P		197422-4	BATTERY BL1860B SET	2			C5220	
A03-2Q		197422-4	BATTERY BL1860B SET	2			C5220	
A03-2S		197280-8	BATTERY BL1850B SET	2			C5219	
A03-2T		197280-8	BATTERY BL1850B SET	2			C5219	
A03-2U		197265-4	BATTERY BL1840B SET	2			C5218	
A03-2V		197265-4	BATTERY BL1840B SET	2			C5218	
A03-2W		197600-6	BATTERY BL1830B SET	2	<	B2535	C4176	
A03-2X		197265-4	BATTERY BL1840B SET	2	<	A9784	C5218	
A03-2Y		197600-6	BATTERY BL1830B SET	2	<	B2535	C4176	
A03-3D		197600-6	BATTERY BL1830B SET	2	O	C4176		
A03-3F		197600-6	BATTERY BL1830B SET	2	O	C4176		
A03-3G		197265-4	BATTERY BL1840B SET	2	O	C5218		
A03-3N		197280-8	BATTERY BL1850B SET	2	O	C5219		
A03-3O		197600-6	BATTERY BL1830B SET	2	O	C4176		
A03-3P		197422-4	BATTERY BL1860B SET	2	O	C5220		
A03-3Q		197422-4	BATTERY BL1860B SET	2	O	C5220		
A03-3S		197280-8	BATTERY BL1850B SET	2	O	C5219		
A03-3T		197280-8	BATTERY BL1850B SET	2	O	C5219		
A03-3U		197265-4	BATTERY BL1840B SET	2	O	C5218		
A03-3V		197265-4	BATTERY BL1840B SET	2	O	C5218		
A03-3W		197600-6	BATTERY BL1830B SET	2	O	C4176		
A03-3X		197265-4	BATTERY BL1840B SET	2	O	C5218		
A03-3Y		197600-6	BATTERY BL1830B SET	2	O	C4176		
A04D		450128-8	BATTERY COVER	1				
A04F		450128-8	BATTERY COVER	1				
A04G		450128-8	BATTERY COVER	1				
A04N		450128-8	BATTERY COVER	1				
A04O		450128-8	BATTERY COVER	1				
A04P		450128-8	BATTERY COVER	2				
A04Q		450128-8	BATTERY COVER	2				
A04S		450128-8	BATTERY COVER	1				
A04T		450128-8	BATTERY COVER	1				
A04U		450128-8	BATTERY COVER	1				
A04V		450128-8	BATTERY COVER	1				
A04W		450128-8	BATTERY COVER	1				
A04X		450128-8	BATTERY COVER	1				
A04Y		450128-8	BATTERY COVER	1				
A05D		141401-4	PLASTIC CASE COMPLETE	1				
	C10	162271-8	LATCH	2				
	C20	890904-2	INDICATION LABEL	1				
A05F		141402-2	PLASTIC CASE COMPLETE	1			C5697	
	C10	162271-8	LATCH	2			C5697	
	C20	890904-2	INDICATION LABEL	1			C5697	
A05G		141401-4	PLASTIC CASE COMPLETE	1				
	C10	162271-8	LATCH	2				
	C20	890904-2	INDICATION LABEL	1				
A05N		140H96-8	PLASTIC CASE COMPLETE	1				
	C10	162271-8	LATCH	2				
	C20	890904-2	INDICATION LABEL	1				
A05O		140H96-8	PLASTIC CASE COMPLETE	1				
	C10	162271-8	LATCH	2				
	C20	890904-2	INDICATION LABEL	1				
A05Q		141402-2	PLASTIC CASE COMPLETE	1			C5697	
	C10	162271-8	LATCH	2			C5697	
	C20	890904-2	INDICATION LABEL	1			C5697	
A05S		141402-2	PLASTIC CASE COMPLETE	1			C5697	
	C10	162271-8	LATCH	2			C5697	
	C20	890904-2	INDICATION LABEL	1			C5697	
A05T		141401-4	PLASTIC CASE COMPLETE	1				
	C10	162271-8	LATCH	2				
	C20	890904-2	INDICATION LABEL	1				
A05U		141402-2	PLASTIC CASE COMPLETE	1			C5697	

D:DHR242RFE(H) P:DHR242GWX1(H) W:DHR242RFEV(H)
E:DHR242Z(N) Q:DHR242GVX1(H) X:DHR242RMEV(H)
F:DHR242RFEV(H) S:DHR242RTEV(H) Y:DHR242RFE(H)
G:DHR242RME(H) T:DHR242RTE(H) Z:DHR242Z(N)
N:DHR242RTEW(H) U:DHR242RMEV(H)
O:DHR242RFEW(H) V:DHR242RME(H)

Interchange
O : Yes
X : No
< : the new part can be substituted for the current.
> : the current part can be substituted for the new.
S : Interchangeable as a set.

HK

HONG KONG

DHR242 / 24MM CORDLESS COMBI. HAMMER

Item	Sub	Parts No.	Parts Description	Qty	I/C	E/C No.	Close No.	Remark
	C10	162271-8	LATCH	2			C5697	
	C20	890904-2	INDICATION LABEL	1			C5697	
A05V		141401-4	PLASTIC CASE COMPLETE	1				
	C10	162271-8	LATCH	2				
	C20	890904-2	INDICATION LABEL	1				
A05W		141402-2	PLASTIC CASE COMPLETE	1			C5697	
	C10	162271-8	LATCH	2			C5697	
	C20	890904-2	INDICATION LABEL	1			C5697	
A05X		141402-2	PLASTIC CASE COMPLETE	1			C5697	
	C10	162271-8	LATCH	2			C5697	
	C20	890904-2	INDICATION LABEL	1			C5697	
A05Y		141401-4	PLASTIC CASE COMPLETE	1				
	C10	162271-8	LATCH	2				
	C20	890904-2	INDICATION LABEL	1				
A05-1F		140H96-8	PLASTIC CASE COMPLETE	1	<	C5697		
	C10	162271-8	LATCH	2		C5697		
	C20	890904-2	INDICATION LABEL	1		C5697		
A05-1P		140H96-8	PLASTIC CASE COMPLETE	1				
	C10	162271-8	LATCH	2				
	C20	890904-2	INDICATION LABEL	1				
A05-1Q		140H96-8	PLASTIC CASE COMPLETE	1	<	C5697		
	C10	162271-8	LATCH	2		C5697		
	C20	890904-2	INDICATION LABEL	1		C5697		
A05-1S		140H96-8	PLASTIC CASE COMPLETE	1	<	C5697		
	C10	162271-8	LATCH	2		C5697		
	C20	890904-2	INDICATION LABEL	1		C5697		
A05-1U		140H96-8	PLASTIC CASE COMPLETE	1	<	C5697		
	C10	162271-8	LATCH	2		C5697		
	C20	890904-2	INDICATION LABEL	1		C5697		
A05-1W		140H96-8	PLASTIC CASE COMPLETE	1	<	C5697		
	C10	162271-8	LATCH	2		C5697		
	C20	890904-2	INDICATION LABEL	1		C5697		
A05-1X		140H96-8	PLASTIC CASE COMPLETE	1	<	C5697		
	C10	162271-8	LATCH	2		C5697		
	C20	890904-2	INDICATION LABEL	1		C5697		
A06D		802L23-4	DHR242RFE PLASTIC CASE LABEL	2				
A06F		802L26-8	DHR242RFEV PLASTIC CASE LABEL	2				
A06G		802L17-9	DHR242RME PLASTIC CASE LABEL	2				
A06N		819D59-8	DHR242RTEW PLASTIC CASE LABEL	2				
A06O		819D57-2	DHR242RFEW PLASTIC CASE LABEL	2				
A06P		818X70-7	DHR242GWX1 PLASTIC CASE LABEL	2				
A06Q		818C22-2	DHR242GVX1 PLASTIC CASE LABEL	2				
A06S		807Y10-6	DHR242RTEV PLASTIC CASE LABEL	2				
A06T		804J02-6	DHR242RTE PLASTIC CASE LABEL	2				
A06U		804M01-6	DHR242RMEV PLASTIC CASE LABEL	2				
A06V		802L17-9	DHR242RME PLASTIC CASE LABEL	2				
A06W		802L26-8	DHR242RFEV PLASTIC CASE LABEL	2				
A06X		804M01-6	DHR242RMEV PLASTIC CASE LABEL	2				
A06Y		802L23-4	DHR242RFE PLASTIC CASE LABEL	2				
A07F		***DX01	DUST EXTRACTION SYSTEM	1				
	D10		COMPO-PARTS					
	D20		INC. A08					
A07N		***DX06	DUST EXTRACTION SYSTEM	1				
	D10		COMPO-PARTS					
	D20		INC. A08					
A07O		***DX06	DUST EXTRACTION SYSTEM	1				
	D10		COMPO-PARTS					
	D20		INC. A08					
A07P		***DX06	DUST EXTRACTION SYSTEM	1				
	D10		COMPO-PARTS					
	D20		INC. A08					
A07Q		***DX01	DUST EXTRACTION SYSTEM	1				
	D10		COMPO-PARTS					
	D20		INC. A08					
A07S		***DX01	DUST EXTRACTION SYSTEM	1				

D:DHR242RFE(H)
E:DHR242Z(N)
F:DHR242RFEV(H)
G:DHR242RME(H)
N:DHR242RTEW(H)
O:DHR242RFEW(H)

P:DHR242GWX1(H)
Q:DHR242GVX1(H)
S:DHR242RTEV(H)
T:DHR242RTE(H)
U:DHR242RMEV(H)
V:DHR242RME(H)

W:DHR242RFEV(H)
X:DHR242RMEV(H)
Y:DHR242RFE(H)
Z:DHR242Z(N)

Interchange

O : Yes

X : No

< : the new part can be substituted for the current.

> : the current part can be substituted for the new.

S : Interchangeable as a set.

HK	HONG KONG
-----------	------------------

DHR242 / 24MM CORDLESS COMBI. HAMMER

Item	Sub	Parts No.	Parts Description	Qty	I/C	E/C No.	Close No.	Remark
	D10		COMPO-PARTS					
	D20		INC. A08					
A07U		***DX01	DUST EXTRACTION SYSTEM	1				
	D10		COMPO-PARTS					
	D20		INC. A08					
A07W		***DX01	DUST EXTRACTION SYSTEM	1				
	D10		COMPO-PARTS					
	D20		INC. A08					
A07X		***DX01	DUST EXTRACTION SYSTEM	1				
	D10		COMPO-PARTS					
	D20		INC. A08					
A08F		424474-5	SEALING CAP	5			DF255	
A08N		424474-5	SEALING CAP	5			DF255	
A08O		424474-5	SEALING CAP	5			DF255	
A08P		424474-5	SEALING CAP	5			DF255	
A08Q		424474-5	SEALING CAP	5			DF255	
A08S		424474-5	SEALING CAP	5			DF255	
A08U		424474-5	SEALING CAP	5			DF255	
A08W		424474-5	SEALING CAP	5			DF255	
A08X		424474-5	SEALING CAP	5			DF255	
A08-1F		422784-4	SEALING CAP	5	X	DF255		
A08-1N		422784-4	SEALING CAP	5	X	DF255		
A08-1O		422784-4	SEALING CAP	5	X	DF255		
A08-1P		422784-4	SEALING CAP	5	X	DF255		
A08-1Q		422784-4	SEALING CAP	5	X	DF255		
A08-1S		422784-4	SEALING CAP	5	X	DF255		
A08-1U		422784-4	SEALING CAP	5	X	DF255		
A08-1W		422784-4	SEALING CAP	5	X	DF255		
A08-1X		422784-4	SEALING CAP	5	X	DF255		
A09P		196165-5	FILTER SET	1			C6815	
A09Q		196165-5	FILTER SET	1			C6815	
A09-1P		199557-7	FILTER SET	1	O	C6815		
A09-1Q		199557-7	FILTER SET	1	O	C6815		
B01		195833-7	HAMMER SERVICE KIT	1		Y08295		
	C10	195127-0	OIL VESSEL SET	2		Y08295		
	D10		INC. 1,2,4,6,28,44,45,47			Y08295		
F38-3		197606-4	BATTERY BL1830B SET (2PIECES)	1	O	C4176		
F44		195896-3	DUST EXTRACTION SYSTEM SET	1				
F46		195898-9	DUST EXTRACTION SYSTEM SET	1				
F48-1		199977-5	DUST CASE SET	1	O	C6815		
F50-1		199557-7	FILTER SET	1	O	C6815		
F52-3		197267-0	BATTERY BL1840B SET	1	O	C5218		
F53-3		197265-4	BATTERY BL1840B SET	1	O	C5218		
F54-3		197273-5	BATTERY BL1840B SET(2PIECES)	1	O	C5218		
F63		199563-2	DX06DUST EXTRACTION SYSTEM SET	1		C6815		
D:DHR242RFE(H) E:DHR242Z(N) F:DHR242RFEV(H) G:DHR242RME(H) N:DHR242RTEW(H) O:DHR242RFEW(H)	P:DHR242GWX1(H) Q:DHR242GVX1(H) S:DHR242RTEV(H) T:DHR242RTE(H) U:DHR242RMEV(H) V:DHR242RME(H)	W:DHR242RFEV(H) X:DHR242RMEV(H) Y:DHR242RFE(H) Z:DHR242Z(N)						Interchange O : Yes X : No < : the new part can be substituted for the current. > : the current part can be substituted for the new. S : Interchangeable as a set.