



HK

HONG KONG

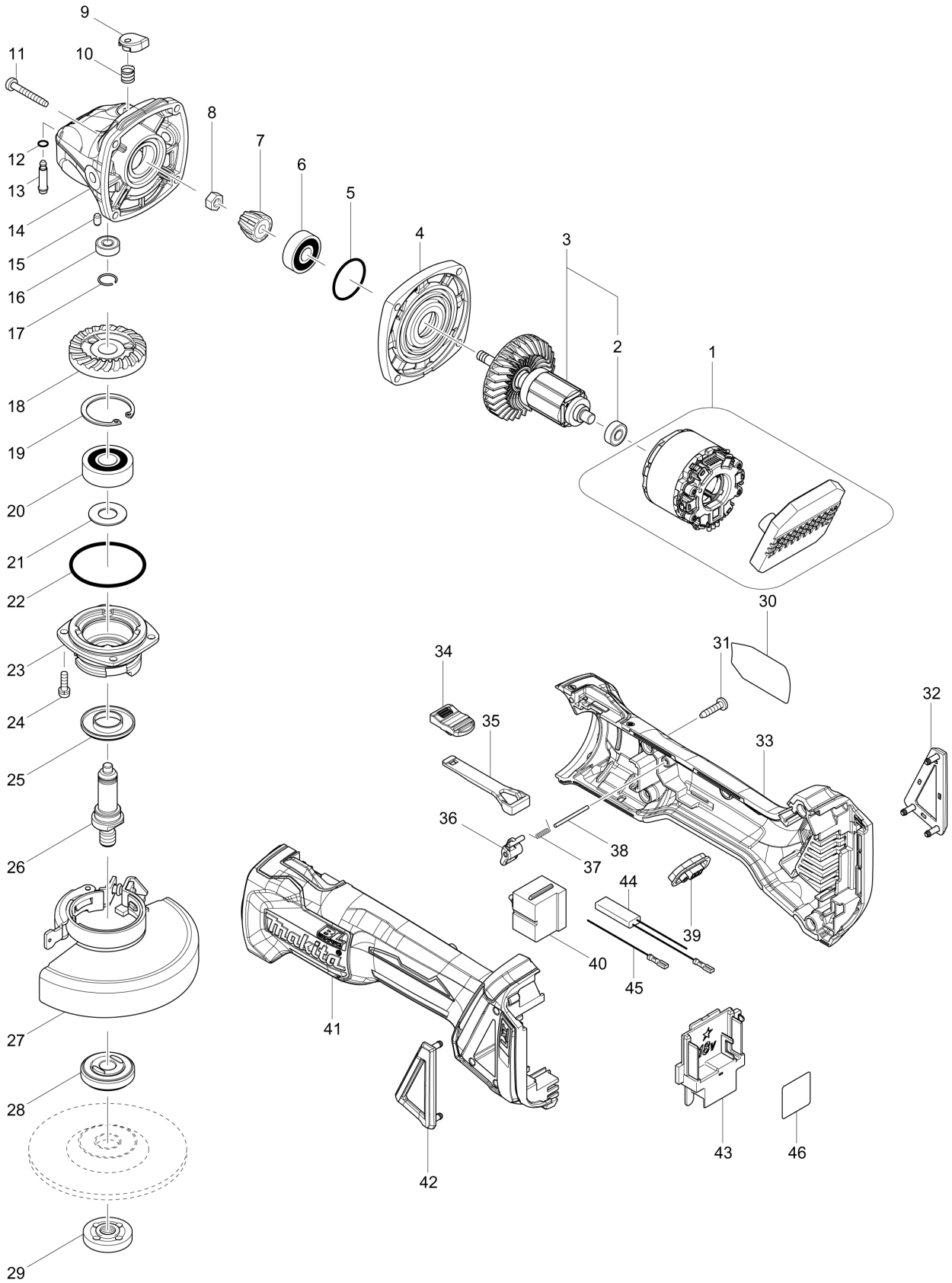
Diagram / Parts List

DGA404

100MM CORDLESS ANGLE GRINDER



(HK) DGA404 / 100MM CORDLESS ANGLE GRINDER



HK

HONG KONG

DGA404 / 100MM CORDLESS ANGLE GRINDER

Item	Sub	Parts No.	Parts Description	Qty	I/C	E/C No.	Close No.	Remark
001A		629134-6	STATOR COMPLETE	1			B0251	
001B		629134-6	STATOR COMPLETE	1			B0251	
001-1A		629173-6	STATOR COMPLETE	1	S	B0251	B4436	
001-1B		629173-6	STATOR COMPLETE	1	S	B0251	B4436	
001-1C		629173-6	STATOR COMPLETE	1			B4436	
001-1V		629173-6	STATOR COMPLETE	1			B4436	
001-1W		629173-6	STATOR COMPLETE	1			B4436	
001-1X		629173-6	STATOR COMPLETE	1			B4436	
001-1Y		629173-6	STATOR COMPLETE	1			B4436	
001-1Z		629173-6	STATOR COMPLETE	1			B4436	
001-2A		629176-0	STATOR COMPLETE	1	O	B4436	DE855	
001-2B		629176-0	STATOR COMPLETE	1	O	B4436	DE855	
001-2C		629176-0	STATOR COMPLETE	1	O	B4436	DE855	
001-2U		629176-0	STATOR COMPLETE	1			DE855	
001-2V		629176-0	STATOR COMPLETE	1	O	B4436	DE855	
001-2W		629176-0	STATOR COMPLETE	1	O	B4436	DE855	
001-2X		629176-0	STATOR COMPLETE	1	O	B4436	DE855	
001-2Y		629176-0	STATOR COMPLETE	1	O	B4436	DE855	
001-2Z		629176-0	STATOR COMPLETE	1	O	B4436	DE855	
001-3		629B61-9	STATOR	1	S	DE855		
002		210034-7	BALL BEARING 607LLB	1			B6701	
002-1		210169-4	BALL BEARING 607LLB	1	<	B6701		
003A		519354-9	ROTOR ASS'Y	1			B0509	
	D10		INC. 2				B0509	
003B		519354-9	ROTOR ASS'Y	1			B0509	
	D10		INC. 2				B0509	
003-1A		519378-5	ROTOR ASS'Y	1	O	B0509	B6701	
	D10		INC. 2			B0509	B6701	
003-1B		519378-5	ROTOR ASS'Y	1	O	B0509	B6701	
	D10		INC. 2			B0509	B6701	
003-1C		519378-5	ROTOR ASS'Y	1			B6701	
	D10		INC. 2				B6701	
003-1U		519378-5	ROTOR ASS'Y	1			B6701	
	D10		INC. 2				B6701	
003-1V		519378-5	ROTOR ASS'Y	1			B6701	
	D10		INC. 2				B6701	
003-1W		519378-5	ROTOR ASS'Y	1			B6701	
	D10		INC. 2				B6701	
003-1X		519378-5	ROTOR ASS'Y	1	O		B6701	
	D10		INC. 2				B6701	
003-1Y		519378-5	ROTOR ASS'Y	1			B6701	
	D10		INC. 2				B6701	
003-1Z		519378-5	ROTOR ASS'Y	1			B6701	
	D10		INC. 2				B6701	
003-2		510329-1	ROTOR ASS'Y	1	<	B6701	D7193	
	D10		INC. 2			B6701	D7193	
003-3		510329-1	ROTOR ASS'Y	1	O	D7193		
	D10		INC. 2			D7193		
004		319214-3	GEAR HOUSING COVER	1				
005		213445-5	O-RING 26	1				
006		210042-8	BALL BEARING 629LLB	1				
007		227541-3	SPIRAL BEVEL GEAR 10	1			C3594	
007-1		226861-2	SPIRAL BEVEL GEAR 10	1	S	C3594		
008		252186-8	HEX. NUT M6	1				
009		417771-6	PIN CAP	1				
010A		233072-2	COMPRESSION SPRING 8	1				
010B		233072-2	COMPRESSION SPRING 8	1				
010C		233072-2	COMPRESSION SPRING 8	1				
010U		233072-2	COMPRESSION SPRING 8	1			Z49451	
010V		233072-2	COMPRESSION SPRING 8	1				
010W		233072-2	COMPRESSION SPRING 8	1			Z49451	
010X		233072-2	COMPRESSION SPRING 8	1				
010Y		233072-2	COMPRESSION SPRING 8	1				
010Z		233072-2	COMPRESSION SPRING 8	1				
010-1U		233376-2	COMPRESSION SPRING 8	1	O	Z49451		

A:DGA404RME(H)
 B:DGA404Z(N)
 C:DGA404RFE(H)
 U:DGA404RTJ2(H)
 V:DGA404RMJ2(H)
 W:DGA404ZX2(N)

X:DGA404RME(H)
 Y:DGA404RFE(H)
 Z:DGA404Z(N)

Interchange

O : Yes

X : No

< : the new part can be substituted for the current.

> : the current part can be substituted for the new.

S : Interchangeable as a set.

HK

HONG KONG

DGA404 / 100MM CORDLESS ANGLE GRINDER

Item	Sub	Parts No.	Parts Description	Qty	I/C	E/C No.	Close No.	Remark
010-1W		233376-2	COMPRESSION SPRING 8	1	O	Z49451		
011A		266361-0	TAPPING SCREW 4X30	4				
011B		266361-0	TAPPING SCREW 4X30	4				
011C		266361-0	TAPPING SCREW 4X30	4				
011U		266361-0	TAPPING SCREW 4X30	4			Z49451	
011V		266361-0	TAPPING SCREW 4X30	4				
011W		266361-0	TAPPING SCREW 4X30	4			Z49451	
011X		266361-0	TAPPING SCREW 4X30	4				
011Y		266361-0	TAPPING SCREW 4X30	4				
011Z		266361-0	TAPPING SCREW 4X30	4				
011-1U		265654-2	TAPPING SCREW 4X30	4	O	Z49451		
011-1W		265654-2	TAPPING SCREW 4X30	4	O	Z49451		
012		213960-9	O RING 5	1				
013		256546-6	SHOULDER PIN 4	1				
014		319213-5	GEAR HOUSING	1				
015		263002-9	RUBBER PIN 4	1				
016		210033-9	BALL BEARING 696ZZ	1				
017		233950-6	RING SPRING 11	1				
018		227641-9	SPIRAL BEVEL GEAR 37	1			C3594	
018-1		226862-0	SPIRAL BEVEL GEAR 37	1	S	C3594		
019		962151-6	RETAINING RING R-32	1				
020		211129-9	BALL BEARING 6201DDW	1				
021		267113-2	FLAT WASHER 12	1			D7262	
021-1		267238-2	FLAT WASHER 12	1	O	D7262		
022		213622-9	O RING 45	1				
023		318331-6	BEARING BOX	1				
024		911121-2	PAN HEAD SCREW M4X14	4				
025		345464-4	LABYRINTH RING	1				
026		324956-6	SPINDLE	1				
027A		122893-6	TOOLLESS WHEEL COVER 100K ASSY	1			A9409	
	C10	213009-5	O RING 4	1			A9409	
	C20	265180-1	PAN HEAD SCREW M5X16	1			A9409	
027B		122893-6	TOOLLESS WHEEL COVER 100K ASSY	1			A9409	
	C10	213009-5	O RING 4	1			A9409	
	C20	265180-1	PAN HEAD SCREW M5X16	1			A9409	
027-1A		125885-4	WHEEL COVER 100AK ASS'Y	1	O	A9409	DC806	
	C10	213009-5	O RING 4	1		A9409	DC806	
	C20	265180-1	PAN HEAD SCREW M5X16	1		A9409	DC806	
027-1B		125885-4	WHEEL COVER 100AK ASS'Y	1	O	A9409	DC806	
	C10	213009-5	O RING 4	1		A9409	DC806	
	C20	265180-1	PAN HEAD SCREW M5X16	1		A9409	DC806	
027-1C		125885-4	WHEEL COVER 100AK ASS'Y	1			DC806	
	C10	213009-5	O RING 4	1			DC806	
	C20	265180-1	PAN HEAD SCREW M5X16	1			DC806	
027-1U		125885-4	WHEEL COVER 100AK ASS'Y	1			DC806	
	C10	213009-5	O RING 4	1			DC806	
	C20	265180-1	PAN HEAD SCREW M5X16	1			DC806	
027-1V		125885-4	WHEEL COVER 100AK ASS'Y	1			DC806	
	C10	213009-5	O RING 4	1			DC806	
	C20	265180-1	PAN HEAD SCREW M5X16	1			DC806	
027-1W		125885-4	WHEEL COVER 100AK ASS'Y	1			DC806	
	C10	213009-5	O RING 4	1			DC806	
	C20	265180-1	PAN HEAD SCREW M5X16	1			DC806	
027-1X		125885-4	WHEEL COVER 100AK ASS'Y	1			DC806	
	C10	213009-5	O RING 4	1			DC806	
	C20	265180-1	PAN HEAD SCREW M5X16	1			DC806	
027-1Y		125885-4	WHEEL COVER 100AK ASS'Y	1			DC806	
	C10	213009-5	O RING 4	1			DC806	
	C20	265180-1	PAN HEAD SCREW M5X16	1			DC806	
027-1Z		125885-4	WHEEL COVER 100AK ASS'Y	1			DC806	
	C10	213009-5	O RING 4	1			DC806	
	C20	265180-1	PAN HEAD SCREW M5X16	1			DC806	
027-2		122B50-8	WHEEL COVER 100AK ASSEMBLY	1	<	DC806		
	C10	213009-5	O RING 4	1		DC806		
	C20	265180-1	PAN HEAD SCREW M5X16	1		DC806		

A:DGA404RME(H)
 B:DGA404Z(N)
 C:DGA404RFE(H)
 U:DGA404RTJ2(H)
 V:DGA404RMJ2(H)
 W:DGA404ZX2(N)

X:DGA404RME(H)
 Y:DGA404RFE(H)
 Z:DGA404Z(N)

Interchange

O : Yes

X : No

< : the new part can be substituted for the current.

> : the current part can be substituted for the new.

S : Interchangeable as a set.

HK

HONG KONG

DGA404 / 100MM CORDLESS ANGLE GRINDER

Item	Sub	Parts No.	Parts Description	Qty	I/C	E/C No.	Close No.	Remark
028		224314-5	INNER FLANGE 30	1				
029		224559-5	LOCK NUT 10-30	1				
030		850J12-1	DGA404 NAME PLATE	1			DK344	
030-1		8589G7-1	DGA404 NAME PLATE	1	<	DK344		
031A		266326-2	TAPPING SCREW 4X18	5				
031B		266326-2	TAPPING SCREW 4X18	5				
031C		266326-2	TAPPING SCREW 4X18	5				
031U		266326-2	TAPPING SCREW 4X18	5			Z49451	
031V		266326-2	TAPPING SCREW 4X18	5				
031W		266326-2	TAPPING SCREW 4X18	5			Z49451	
031X		266326-2	TAPPING SCREW 4X18	5				
031Y		266326-2	TAPPING SCREW 4X18	5				
031Z		266326-2	TAPPING SCREW 4X18	5				
031-1U		265652-6	TAPPING SCREW 4X18	5	O	Z49451		
031-1W		265652-6	TAPPING SCREW 4X18	5	O	Z49451		
032		455450-8	DUST COVER R	1				
033		187998-9	MOTOR HOUSING SET	1				
	C10	263005-3	RUBBER PIN 6	2				
	D10		INC. 41					
034		455447-7	SWITCH KNOB	1				
035		455446-9	SWITCH LEVER	1				
036		455448-5	LEVER	1				
037		231679-8	TORSION SPRING 2	1				
038		268330-7	PIN 2	1				
039		142901-7	INDICATOR PANEL COMPLETE	1				
040		650579-7	SWITCH 1246.3223	1				
041		187998-9	MOTOR HOUSING SET	1				
	C10	263005-3	RUBBER PIN 6	2				
	D10		INC. 33					
042		455449-3	DUST COVER L	1				
043		643899-6	TERMINAL	1				
044A		632E34-1	RESISTOR UNIT	1			B0251	
044B		632E34-1	RESISTOR UNIT	1			B0251	
045A		632E33-3	LEAD UNIT	1			B0251	
045B		632E33-3	LEAD UNIT	1			B0251	
046		850J17-1	DGA404 SERIAL NO. LABEL	1				
047		620K33-1	CONTROLLER	1	S	DE855		
048		652119-7	PAN HEAD SCREW M2X6	6	S	DE855		
A01		A-80852	GRINDING WHEEL 100X6X16	1				
A02		158237-4	GRIP 36 COMPLETE	1				
A03		782420-7	LOCK NUT WRENCH 20	1				
A04A		***DC18RC	DC18RC FAST CHARGER	1				
A04C		***DC18RC	DC18RC FAST CHARGER	1				
A04U		***DC18RC	DC18RC FAST CHARGER	1				
A04V		***DC18RC	DC18RC FAST CHARGER	1				
A04X		***DC18RC	DC18RC FAST CHARGER	1				
A04Y		***DC18RC	DC18RC FAST CHARGER	1				
A05A		196399-0	BATTERY BL1840 SET	2			A5588	
A05-1A		196399-0	BATTERY BL1840 SET	2	O	A5588	A9784	
A05-2A		197265-4	BATTERY BL1840B SET	2	<	A9784	C5218	
A05-2C		194204-5	BATTERY BL1830 SET	2			B2535	
A05-2U		197280-8	BATTERY BL1850B SET	2			C5219	
A05-2V		197265-4	BATTERY BL1840B SET	2			C5218	
A05-2X		197265-4	BATTERY BL1840B SET	2			C5218	
A05-2Y		194204-5	BATTERY BL1830 SET	2			B2535	
A05-3A		197265-4	BATTERY BL1840B SET	2	O	C5218		
A05-3C		197600-6	BATTERY BL1830B SET	2	<	B2535	C4176	
A05-3U		197280-8	BATTERY BL1850B SET	2	O	C5219		
A05-3V		197265-4	BATTERY BL1840B SET	2	O	C5218		
A05-3X		197265-4	BATTERY BL1840B SET	2	O	C5218		
A05-3Y		197600-6	BATTERY BL1830B SET	2	<	B2535	C4176	
A05-4C		197600-6	BATTERY BL1830B SET	2	O	C4176		
A05-4Y		197600-6	BATTERY BL1830B SET	2	O	C4176		
A06A		450128-8	BATTERY COVER	1				
A06C		450128-8	BATTERY COVER	1				

A:DGA404RME(H)
 B:DGA404Z(N)
 C:DGA404RFE(H)
 U:DGA404RTJ2(H)
 V:DGA404RMJ2(H)
 W:DGA404ZX2(N)

X:DGA404RME(H)
 Y:DGA404RFE(H)
 Z:DGA404Z(N)

Interchange

O : Yes

X : No

< : the new part can be substituted for the current.

> : the current part can be substituted for the new.

S : Interchangeable as a set.

