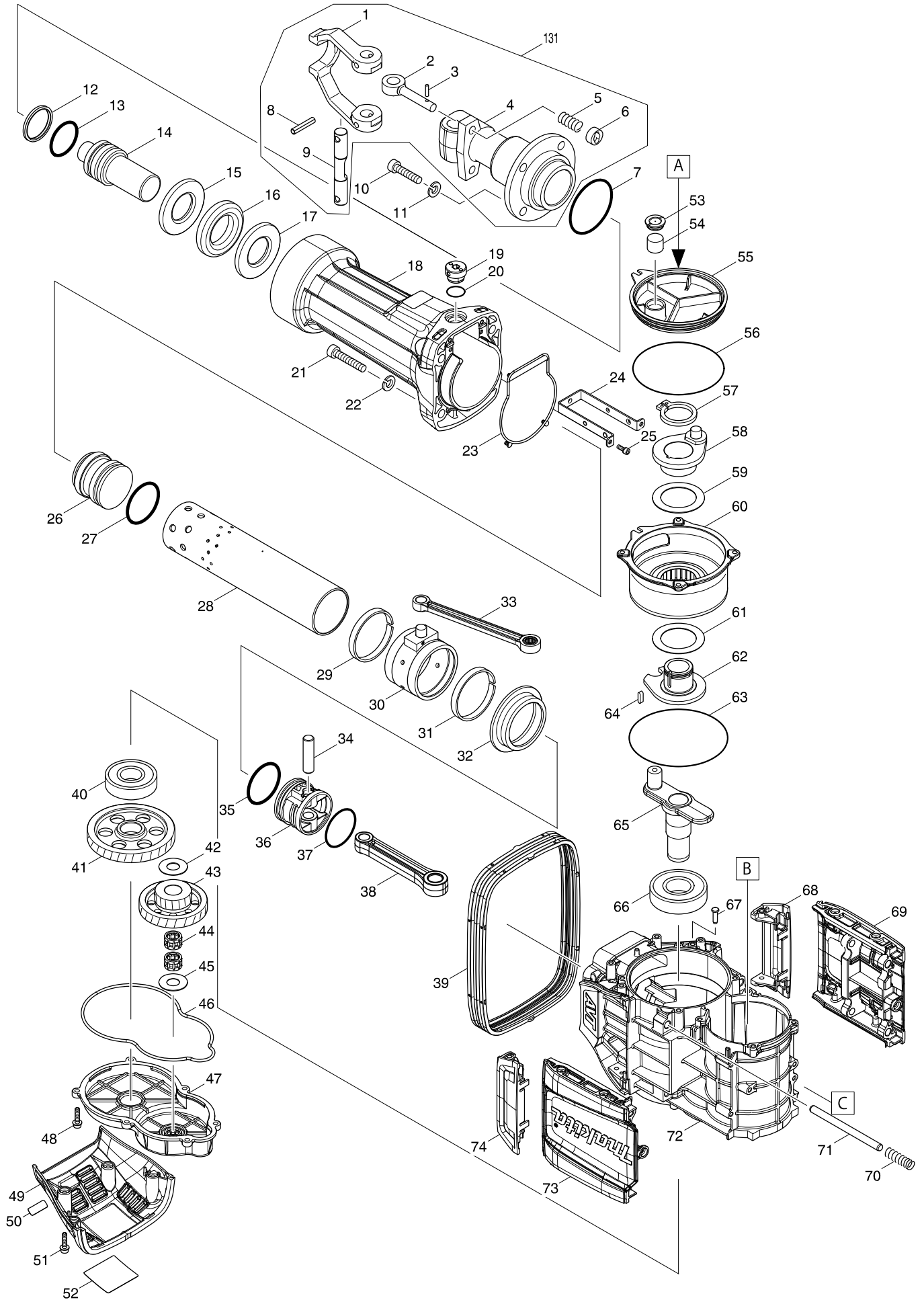
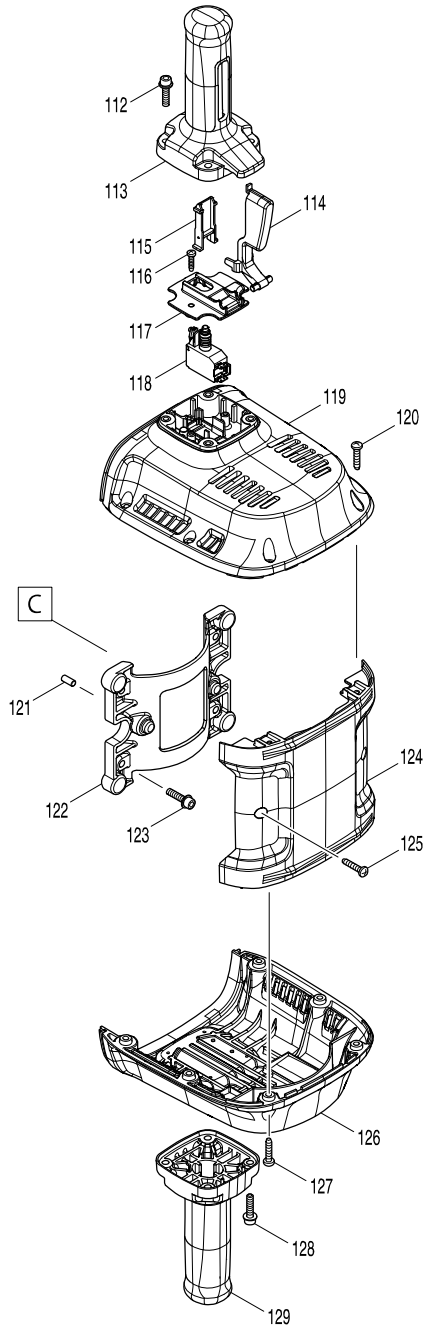
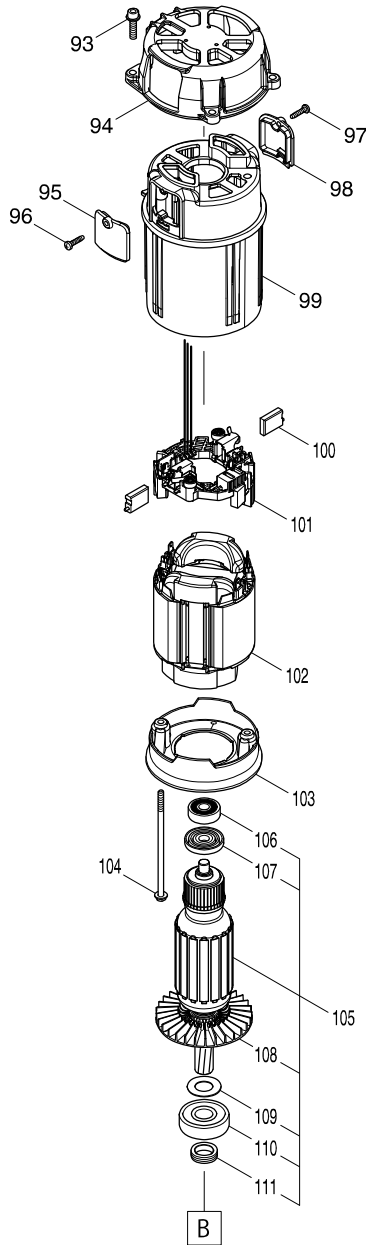
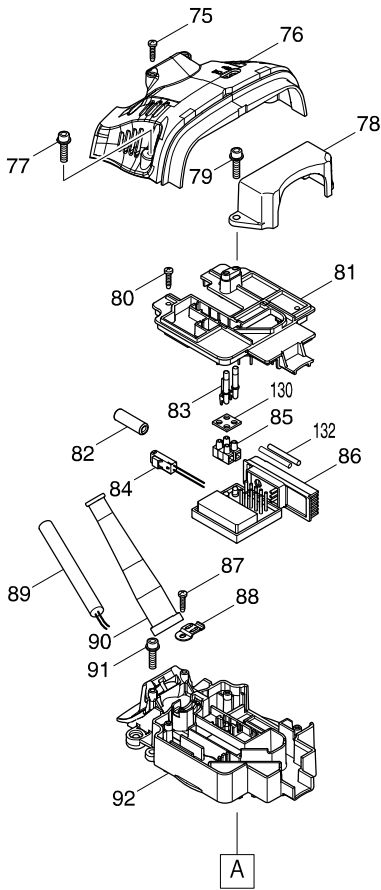


Model No. HM1812 ELECTRIC BREAKER



Model No. HM1812 ELECTRIC BREAKER



Model No. HM1812 ELECTRIC BREAKER

Item	Parts No.	Description	I/C	Qty	N/O	Sales	Purch.	Note
001	324236-0	TOOL RETAINER		1				
002	322477-2	TOOL RETAINER POLE		2				
003	256219-1	PIN 4		2				
004	310616-6	TOOL HOLDER 29		1				
005	233083-7	COMPRESSION SPRING 12		2				
006	322560-5	RETAINER RING		2				
007	213757-6	O RING 80		1				
008	951272-9	SPRING PIN 8-40		2				
009	324238-6	TOOL RETAINER SHAFT		1				
010	265989-1	HEX. SOCKET BOLT M12X45		4				
011	942301-9	SPRING WASHER 12		4				
012	213797-4	X-RING 47		1				
013	213798-2	O-RING 47		1				
014	326469-3	IMPACT BOLT		1				
015	332127-1	WASHER 42		1				
016	262174-7	RUBBER RING 47		1				
017	332127-1	WASHER 42		1				
018	142918-0	BARREL COMPLETE		1				
C10	806G44-8	CAUTION LABEL		1				
019	450347-6	CAP		1				
020	213953-6	O RING 24		1				
021	922677-0	HEX. SOCKET BOLT M12X55		4				
022	942301-9	SPRING WASHER 12		4				
023	424666-6	SEAL RING A		1				
024	346840-5	PLATE		1				
025	266086-6	HEX. SOCKET HEAD BOLT M5X16		2	*			
025-1	266071-9	HEX. SOCKET HEAD BOLT M5X16	O	2				
026	326470-8	STRIKER		1				
027	213799-0	O-RING 56		1				
028	332130-2	CYLINDER LINER 66		1				
029	455492-2	SPACER 72		1				
030	123361-2	BALANCER ASSEMBLY		1				
D10		INC. 29,31						
031	455492-2	SPACER 72		1				
032	332131-0	SPACER		1				
033	142922-9	CONNECTING ROD COMPLETE		1				
034	268328-4	PIN 15 C		1				
035	213799-0	O-RING 56		1				
036	455509-1	PISTON		1				
037	213662-7	O RING 55		1				
038	455490-6	CONNECTING ROD		1				
039	424669-0	BELLOWS		1				
040	211151-6	BALL BEARING 6306LLB		1				
041	227797-8	HELICAL GEAR 57		1				
042	267290-0	FLAT WASHER 18		1				
043	226834-5	GEAR COMPLETE 23-59		1				
044	212099-5	NEEDLE CAGE 1816		2				
045	267290-0	FLAT WASHER 18		1				

Model No. HM1812 ELECTRIC BREAKER

Item	Parts No.	Description	I/C	Qty	N/O	Sales	Purch.	Note
046	424667-4	SEAL RING B		1				
047	455491-4	GEAR COVER		1				
048	266923-4	H.S.HEAD BOLT M6X25 WITH GM		6				
049	455500-9	SIDE COVER B		1				
050	850X57-3	HM1812 SERIAL NO. LABEL		1				
051	266923-4	H.S.HEAD BOLT M6X25 WITH GM		4				
052	850T96-9	HM1812 NAME PLATE		1				
053	424668-2	FILTER CAP		1				
054	443127-7	FILTER		1				
055	455493-0	STOPPER		1				
056	213810-8	O-RING 124		1				
057	961156-3	RETAINING RING S-40		1				
058	142921-1	CRANK COMPLETE		1				
059	267486-3	FLAT WASHER 50		1				
060	142952-0	CRANK BOX COMPLETE		1				
061	267486-3	FLAT WASHER 50		1				
062	310619-0	COUNTER SHAFT		1				
063	213902-3	O RING 135		1				
064	254220-0	KEY 5		1				
065	310618-2	CRANK SHAFT		1				
066	211500-7	BALL BEARING 6307LLU		1				
067	256559-7	FLAT FILLISTER HD PIN 6		4				
068	455506-7	HANDLE C		1				
069	455503-3	CENTER COVER		1				
070	234349-8	COMPRESSION SPRING 12A		4				
071	326471-6	ROD 10		4				
072	142919-8	CRANK HOUSING COMPLETE		1				
073	455503-3	CENTER COVER		1				
074	455506-7	HANDLE C		1				
075	265995-6	TAPPING SCREW 4X18		2				
076	455499-8	SIDE COVER A		1				
077	266923-4	H.S.HEAD BOLT M6X25 WITH GM		4				
078	455510-6	BRACKET		1				
079	266923-4	H.S.HEAD BOLT M6X25 WITH GM		2				
080	265995-6	TAPPING SCREW 4X18		3				
081	455495-6	CAP COVER		1				
083	455514-8	LENS		1				
084	632E02-4	LEAD UNIT		1				
085	654531-7	TERMINAL BLOCK 2P		1				
086	620417-7	CONTROLLER		1				
087	265995-6	TAPPING SCREW 4X18		1				
088	687169-3	STRAIN RELIEF		1				
089	692623-4	POWER SUPPLY CORD 1.5-2-4.0		1				
090	682560-0	CORD GUARD 10		1				
091	266923-4	H.S.HEAD BOLT M6X25 WITH GM		2				
092	455494-8	CRANK HOUSING CAP		1				
093	266923-4	H.S.HEAD BOLT M6X25 WITH GM		4				
094	319220-8	BEARING BOX		1				

Model No. HM1812 ELECTRIC BREAKER

Item	Parts No.	Description	I/C	Qty	N/O	Sales	Purch.	Note
095	455498-0	BRUSH HOLDER COVER		1				
096	265995-6	TAPPING SCREW 4X18		1				
097	265995-6	TAPPING SCREW 4X18		1				
098	455498-0	BRUSH HOLDER COVER		1				
099	455496-4	MOTOR HOUSING		1				
100	197129-2	CARBON BRUSH CB-218		1				
101	632E01-6	BRUSH HOLDER UNIT		1				
102	636408-8	FIELD 220V		1				
103	455497-2	BAFFLE PLATE		1				
104	266922-6	+ HEX. BOLT M5X120 WITH GM		2				
105	517913-3	ARMATURE ASS'Y 220V		1				
D10		INC. 106-111						
106	211087-9	BALL BEARING 6200DDW		1				
107	681630-2	INSULATION WASHER		1				
108	240156-9	FAN 90		1				
109	267487-1	FLAT WASHER 17		1				
110	211152-4	BALL BEARING 6303LLU		1				
111	332129-7	SEALING SCREW		1				
112	266923-4	H.S.HEAD BOLT M6X25 WITH GM		4				
113	455504-1	HANDLE A		1				
114	455508-3	SWITCH LEVER		1				
115	455511-4	SWITCH GUIDE		1				
116	265995-6	TAPPING SCREW 4X18		1				
117	455507-5	SWITCH COVER		1				
118	650738-3	SWITCH C3JW-C-P		1				
119	455502-5	HANDLE BASE A		1				
120	266041-8	TAPPING SCREW 5X25		6				
121	256269-6	PIN 6		2				
122	319222-4	BASE		1				
123	266923-4	H.S.HEAD BOLT M6X25 WITH GM		4				
124	455501-7	HEAD COVER		1				
125	266041-8	TAPPING SCREW 5X25		2				
126	455512-2	HANDLE BASE B		1				
127	266041-8	TAPPING SCREW 5X25		6				
128	266923-4	H.S.HEAD BOLT M6X25 WITH GM		4				
129	455505-9	HANDLE B		1				
130	685756-2	RUBBER SHEET		1				
131	135669-2	TOOL HOLDER ASS'Y		1				
D10		INC. 1-6,8,9						
132	684970-7	GLASS CLOTH TUBE 3.5-45		2	*			
132-1	684670-9	VARNISHED POLYESTER TUBE	O	2				
A01	783203-8	HEX. WRENCH 5		1				
A02	D-17631	BULL POINT 410		1	*			
A02-1	B-10372	28.6MM HEX SELF SHARPENING	<	1				