



HK

HONG KONG

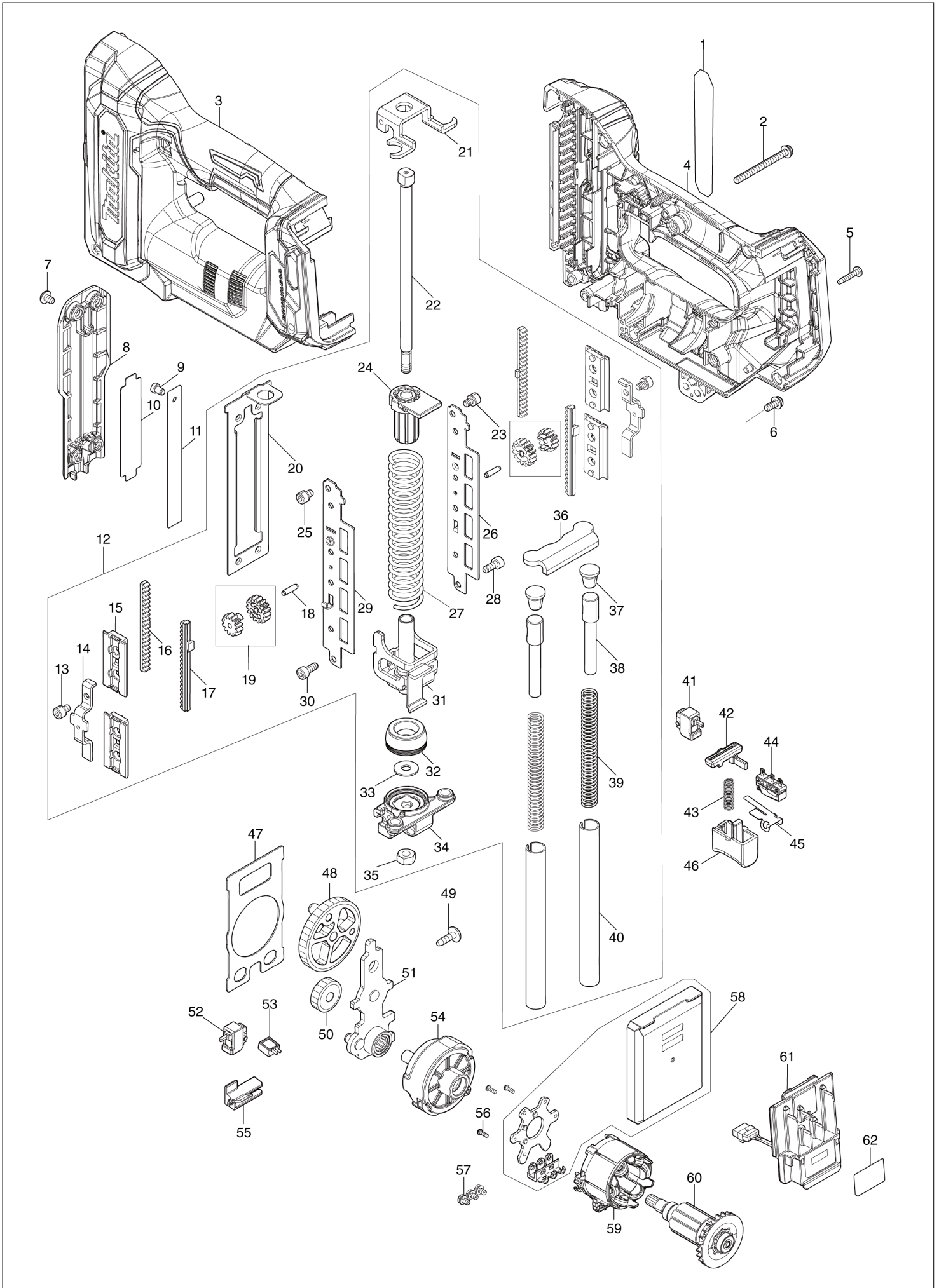
Diagram / Parts List

ST002G

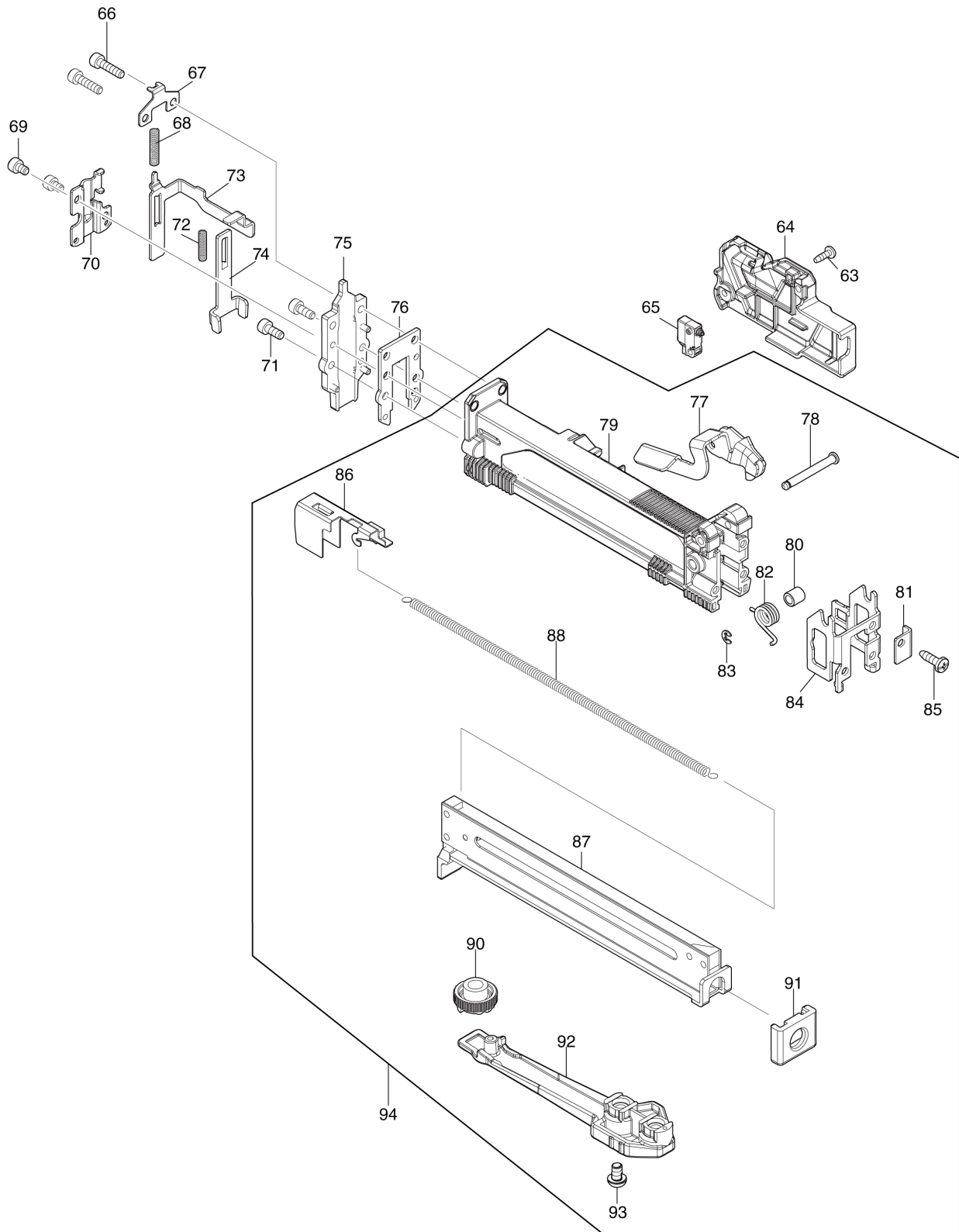
CORDLESS STAPLER



(HK) ST002G / CORDLESS STAPLER



(HK) ST002G / CORDLESS STAPLER



HK

HONG KONG

ST002G / CORDLESS STAPLER

Item	Sub	Parts No.	Parts Description	Qty	I/C	E/C No.	Close No.	Remark
001		8584B6-8	ST002G NAME PLATE	1				
002		911173-3	PAN HEAD SCREW M4X45	1				
003		183X27-0	HOUSING SET	1				
	C10	263005-3	RUBBER PIN 6	2				
	C20	252126-6	HEX. LOCK NUT M4-7	2				
	C30	931102-0	HEX. NUT M4	1				
	C40	8007R2-2	XGT LOGO LABEL	1				
	D10		INC. 4					
004		183X27-0	HOUSING SET	1				
	C10	263005-3	RUBBER PIN 6	2				
	C20	252126-6	HEX. LOCK NUT M4-7	2				
	C30	931102-0	HEX. NUT M4	1				
	C40	8007R2-2	XGT LOGO LABEL	1				
	D10		INC. 3					
005		266130-9	TAPPING SCREW BIND PT 3X16	9				
006		911113-1	PAN HEAD SCREW M4X10 WITH WR	2				
007		915101-0	BINDING HEAD SCREW M4X6	4				
008		413N52-0	FRONT COVER	1				
009		256882-0	FLAT FILLISTER HD. PIN 4	1				
010		347528-0	UPPER PLATE	1				
011		347715-1	DRIVER	1				
012		136944-9	COUNTER WEIGHT ASS'Y	1				
	D10		INC. 13-40					
013		251566-5	H.S.H BOLT M4X6 WITH W	2				
014		347146-4	PINION GUIDE	2				
015		413330-4	COUNTER WEIGHT HOLDER	4				
016		313421-0	COUNTER WEIGHT A	2				
017		310925-3	COUNTER WEIGHT B	2				
018		326902-5	PINION SHAFT	2				
019		136104-3	SPUR GEAR ASSEMBLY	2				
020		347933-1	RAIL	1				
021		347936-5	BOTTOM PLATE	1				
022		327939-5	GUIDE BOLT	1				
023		251566-5	H.S.H BOLT M4X6 WITH W	1				
024		313464-2	BOTTOM HOLDER	1				
025		251566-5	H.S.H BOLT M4X6 WITH W	1				
026		347938-1	GUIDE RAIL L	1				
027		232822-2	COMPRESSION SPRING 17	1				
028		266167-6	HEX. SOCKET HEAD BOLT M4X10	1				
029		347939-9	GUIDE RAIL R	1				
030		266167-6	HEX. SOCKET HEAD BOLT M4X10	1				
031		347A99-3	HAMMER	1				
032		422A00-0	CUSHION	1				
033		253804-1	FLAT WASHER 6	1				
034		312D79-6	HOLDER	1				
035		252273-3	HEX. NUT M6	1				
036		347A98-5	COUNTER STOPPER	1				
037		422A01-8	COUNTER CUSHION	2				
038		327B22-0	WEIGHT	2				
039		232630-1	COMPRESSION SPRING 7	2				
040		327943-4	GUIDE PIPE	2				
041		140W22-7	SWITCH COMPLETE	1				
042		456799-9	TRIGGER LOCK	1				
043		232370-1	COMPRESSION SPRING 5	1				
044		632S31-1	SWITCH UNIT	1				
045		232672-5	LEAF SPRING	1				
046		413N51-2	TRIGGER	1				
047		347934-9	GEAR PLATE	1				
048		141G69-8	SPUR GEAR 61 COMPLETE	1				
049		266901-4	TAPPING SCREW 4X14	1				
050		226892-1	SPUR GEAR 25	1				
051		141G70-3	BASE PLATE COMPLETE	1				
052		140W22-7	SWITCH COMPLETE	1				
053		620507-6	LED CIRCUIT	1				
054		122B56-6	GEAR ASSEMBLY	1				

Z:ST002GZ(N)

Interchange

O : Yes

X : No

< : the new part can be substituted for the current.

> : the current part can be substituted for the new.

S : Interchangeable as a set.

HK	HONG KONG
-----------	------------------

ST002G / CORDLESS STAPLER

Item	Sub	Parts No.	Parts Description	Qty	I/C	E/C No.	Close No.	Remark
055		413N54-6	LED COVER	1				
056		266490-9	TAPPING SCREW PT 2X6	3				
057		652069-6	FLAT HEAD SCREW M3X6	3				
058		620L18-3	CONTROLLER	1				
	C10	688163-8	LINE FILTER	1				
	C20	688164-6	LINE FILTER	1				
059		629B97-8	STATOR	1				
060		619813-4	ROTOR	1				
061		632R99-1	TERMINAL UNIT	1				
062		8584C0-7	ST002G SERIAL NO. LABEL	1				
063		266007-8	TAPPING SCREW BIND PT 3X10	2				
064		413N53-8	CONTACT ARM COVER	1				
065		632U38-9	SWITCH UNIT	1				
066		922127-5	HEX. SOCKET HEAD BOLT M4X16	2				
067		347B00-4	SPRING RAIL	1				
068		232608-4	COMPRESSION SPRING 4	1				
069		922102-1	HEX. SOCKET HEAD BOLT M4X6	2				
070		347685-4	CONTACT ARM GUIDE	1				
071		922112-8	HEX. SOCKET HEAD BOLT M4X10	2				
072		232607-6	COMPRESSION SPRING 3	1				
073		347A06-6	CONTACT ARM	1				
074		347716-9	CONTACT TOP	1				
075		140U25-9	DRIVER GUIDE COMPLETE	1				
076		347B68-0	UNDER DRIVER GUIDE	1				
077		347B02-0	LOCK LEVER	1				
078		256956-7	PIN 4	1				
079		413L10-4	MAIN MAGAZINE	1				
080		257881-5	SLEEVE 5	1				
081		347717-7	LOCK PLATE	1				
082		232606-8	TORSION SPRING 8	1				
083		961017-7	STOP RING E-3	1				
084		347742-8	SUPPORTER	1				
085		266192-7	TAPPING SCREW 4X14	3				
086		141N14-5	PUSHER COMPLETE	1				
087		162844-7	SUB MAGAZINE	1				
088		231740-1	TENSION SPRING 4	1				
090		412771-1	ADJUSTER	1				
091		421637-4	MAGAZINE END	1				
092		454627-2	DEPTH GUIDE	1				
093		266868-6	H.S.BUTTON HEAD SCREW M5X8	2				
094		136958-8	MAGAZINE ASS'Y	1				
	D10		INC. 77-88,90-93					
A01		251314-2	+ SCREW M4X12	1				
A02		346317-0	HOOK	1				
A03		422960-0	NOSE ADAPTER	1				
A04		821834-6	PLASTIC CASE	1				
	C10	162302-3	LATCH	2				
A05		8063V6-6	ST002GZ PLASTIC CASE LABEL	2				
A06		835V71-8	INNER TRAY	1				

Z:ST002GZ(N)	Interchange O : Yes X : No < : the new part can be substituted for the current. > : the current part can be substituted for the new. S : Interchangeable as a set.
--------------	---