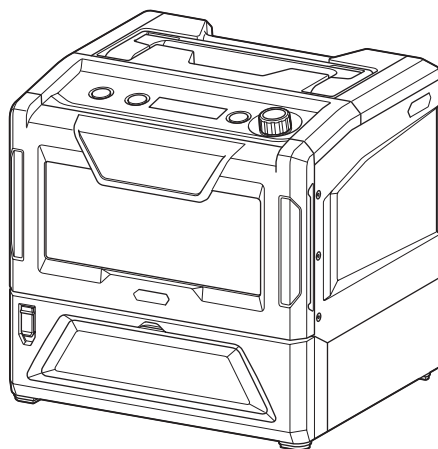


INSTRUCTION MANUAL
MANUEL D'INSTRUCTION
MANUAL DE INSTRUCCIONES



Cordless Microwave Micro-ondes sans fil Horno de Microondas Inalámbrico MW001G



IMPORTANT: Read Before Using.

IMPORTANT : Lire avant usage.

IMPORTANTE: Lea antes de usar.

IMPORTANT SAFETY INSTRUCTIONS

READ CAREFULLY AND KEEP FOR FUTURE REFERENCE

INTRODUCTION

Specifications

Model:		MW001G
Rated voltage		D.C. 36 V - 40 V max
Microwave power		500 W * / 350 W
Dimensions (W x L x H)	External dimensions	343 mm x 318 mm x 338 mm (13-1/2" x 12-1/2" x 13-1/4") (Without battery cartridge) (With the handle lowered position)
	Cavity	255 mm x 241 mm x 120 mm (10" x 9-1/2" x 4-3/4")
Capacity		8 L
Operating frequency		2,450 MHz
Net weight		8.9 kg (19.6 lbs) (Without battery cartridge)
USB power supply port		Type A / Output voltage D.C. 5 V / Output current D.C. 2.4 A (Max.)

- * The 500W microwave power is the temporary boost function. It automatically switches to 350W microwave power after about 8 minutes.
- Due to our continuing program of research and development, the specifications herein are subject to change without notice.
- Specifications may differ from country to country.

Applicable battery cartridge and charger

Battery cartridge	BL4020 / BL4025 / BL4040 / BL4050F / BL4080F
Charger	DC40RA / DC40RB / DC40RC

- Some of the battery cartridges and chargers listed above may not be available depending on your region of residence.

⚠WARNING: Only use the battery cartridges and chargers listed above. Use of any other battery cartridges and chargers may cause injury and/or fire.

Recommended cord connected power source

Portable power pack	PDC1200
---------------------	---------

- The cord connected power source(s) listed above may not be available depending on your region of residence.
- Before using the cord connected power source, read instruction and cautionary markings on them.

Estimated operating time

Battery cartridge (Full charged)	500 W	350 W
BL4020 x 2	6 min	11 min
BL4025 x 2	8 min	14 min
BL4040 x 2	15 min	21 min
BL4050F x 2	22 min	30 min
BL4080F x 2	35 min	48 min
PDC1200	84 min	113 min

NOTE: Values are approximate and may differ depending on charging status, and usage condition.

NOTE: The estimated operating time with one battery is about half of the period when using two batteries.

IMPORTANT SAFETY INSTRUCTIONS

When using electrical appliances basic safety precautions should be followed, including the following:

WARNING

To reduce the risk of burns, electric shock, fire, injury to persons, or exposure to excessive microwave energy:

1. Read all instructions before using the appliance.
2. Read and follow the specific "PRECAUTIONS TO AVOID POSSIBLE EXPOSURE TO EXCESSIVE MICROWAVE ENERGY" found in section.
3. Install or locate this appliance only in accordance with the provided installation instructions.
4. Some products such as whole eggs and sealed containers – for example, closed glass jars – are able to explode and should not be heated in this oven.
5. Use this appliance only for its intended use as described in the manual. Do not use corrosive chemicals or vapors in this appliance. This type of oven is specifically designed to heat, cook, or dry food. It is not designed for industrial or laboratory use.
6. As with any appliance, close supervision is necessary when used by children.
7. This appliance should be serviced only by qualified service personnel. Contact nearest authorized service facility for examination, repair, or adjustment.
8. Do not cover or block any openings on the appliance.
9. Do not store this appliance outdoors. Do not use this product near water – for example, near a kitchen sink, in a wet basement, near a swimming pool, or similar locations.
10. When cleaning surfaces of door and oven that comes together on closing the door, use only mild, nonabrasive soaps, or detergents applied with a sponge or soft cloth.
11. To reduce the risk of fire in the oven cavity:
 - a. Do not overcook food. Carefully attend appliance when paper, plastic, or other combustible materials are placed inside the oven to facilitate cooking.
 - b. Remove wire twist-ties from paper or plastic bags before placing bag in oven.
 - c. If materials inside the oven ignite, keep oven door closed, turn oven off, and disconnect the power cord, or shut off power at the fuse or circuit breaker panel.
 - d. Do not use the cavity for storage purposes. Do not leave paper products, cooking utensils, or food in the cavity when not in use.
12. Liquids, such as water, coffee, or tea are able to be overheated beyond the boiling point without appearing to be boiling. Visible bubbling or boiling when the container is removed from the microwave oven is not always present. **THIS COULD RESULT IN VERY HOT LIQUIDS SUDDENLY BOILING OVER WHEN THE CONTAINER IS DISTURBED OR A UTENSIL IS INSERTED INTO THE LIQUID.**
13. **DO NOT** move the appliance during operation.
14. **DO NOT** use in the rain.
15. To reduce the risk of electrical shock, do not put microwave oven in water or other liquid. Do not place or store product where it can fall or be pulled into a tub or sink.
16. This device complies with Part 18 of the FCC Rules.

PRECAUTIONS TO AVOID POSSIBLE EXPOSURE TO EXCESSIVE MICROWAVE ENERGY

- a) Do not attempt to operate this oven with the door open since open-door operation can result in harmful exposure to microwave energy. It is important not to defeat or tamper with the safety interlocks.
- b) Do not place any object between the oven front face and the door or allow soil or cleaner residue to accumulate on sealing surfaces.
- c) Do not operate the oven if it is damaged. It is particularly important that the oven door close properly and that there is no damage to the:
 - (1) door (bent),
 - (2) hinges and latches (broken or loosened),
 - (3) door seals and sealing surfaces.
- d) The oven should not be adjusted or repaired by anyone except properly qualified service personnel.

⚠WARNING: Read all safety warnings and instructions. Failure to follow the warnings and instructions may result in electric shock, fire and/or serious injury.

Important safeguards

1. Do not sit on and step on the appliance. Do not place objects on the appliance.
2. This appliance can be used by children aged from 8 years and above and persons with reduced physical, sensory or mental capabilities or lack of experience and knowledge if they have been given supervision or instruction concerning use of the appliance in a safe way and understand the hazards involved.
3. Children shall not play with the appliance.
4. When there is no food in the cavity, do not operate the appliance. Otherwise the appliance may be damaged.
5. Do not pierce the oven door mesh. Otherwise it will cause microwave leakage.
6. Do not operate the appliance in enclosed spaces such as cabinet.
7. Place the appliance on a level and flat surface.
8. Do not operate the appliance while suspended. Do not use the handle any other purpose than carrying the appliance.
9. Remove the battery when carrying the appliance.
10. Do not use the appliance in the rain. Do not wet the appliance. If the appliance is exposed to water, have it inspected by our after-sales department.
11. If the appliance get an impact or falls, send the appliance to our after-sales department for inspection and maintenance in time.
12. It is forbidden to heat inflammables and explosives, especially dry ice.
13. Only use utensils that are suitable for use in microwave ovens.
14. Metallic containers for food and beverages are not allowed during microwave cooking.
15. The contents of feeding bottles and baby food jars are to be stirred or shaken and the temperature is to be checked before consumption, in order to avoid burns.
16. Do not place inflammables and combustibles near the appliance.
17. During the operation of the appliance, keep your eyes on the cooking condition of the microwave oven at any time. Set the correct cooking time. Overtime cooking may cause fire.
18. In the cooking process of light load food with less water content, due to the different microwave absorption capacity of different substances, there may be uneven cold and heat. This is a normal phenomenon.
19. Small quantities of food or foods with low moisture content may dry out, scorch or catch on fire if overheated.
20. Do not dry clothes, newspapers or other materials in the microwave oven, or use newspaper or paper bags for cooking.
21. Microwave heating of beverages can result in delayed eruptive boiling, therefore care must be taken when handling the container.
22. Do not use sharp tools (such as cleaning ball, shovel, spoon, etc.) to clean the cavity.
23. Failure to maintain the appliance in a clean condition could lead to deterioration of the surface. This could adversely affect the life of the appliance and possibly result in a hazardous situation.
24. The appliance shall not be cleaned with a steam cleaner.

Safety warnings for battery-operated appliance

Battery-operated appliance use and care

- 1. Prevent unintentional starting. Ensure the switch is in the off-position before connecting to battery pack, picking up or carrying the appliance.** Carrying the appliance with your finger on the switch or energizing appliance that have the switch on invites accidents.
- 2. Disconnect the battery pack from the appliance before making any adjustments, changing accessories, or storing appliance.** Such preventive safety measures reduce the risk of starting the appliance accidentally.
- 3. Recharge only with the charger specified by the manufacturer.** A charger that is suitable for one type of battery pack may create a risk of fire when used with another battery pack.
- 4. Use appliances only with specifically designated battery packs.** Use of any other battery packs may create a risk of injury and fire.
- 5. When battery pack is not in use, keep it away from other metal objects, like paper clips, coins, keys, nails, screws or other small metal objects, that can make a connection from one terminal to another.** Shorting the battery terminals together may cause burns or a fire.
- 6. Under abusive conditions, liquid may be ejected from the battery; avoid contact. If contact accidentally occurs, flush with water. If liquid contacts eyes, additionally seek medical help.** Liquid ejected from the battery may cause irritation or burns.
- 7. Do not use a battery pack or appliance that is damaged or modified.** Damaged or modified batteries may exhibit unpredictable behaviour resulting in fire, explosion or risk of injury.
- 8. Do not expose a battery pack or appliance to fire or excessive temperature.** Exposure to fire or temperature above 130 °C may cause explosion.
- 9. Follow all charging instructions and do not charge the battery pack or appliance outside the temperature range specified in the instructions.** Charging improperly or at temperatures outside the specified range may damage the battery and increase the risk of fire.
- 10. Have servicing performed by a qualified repair person using only identical replacement parts.** This will ensure that the safety of the product is maintained.
- 11. Do not modify or attempt to repair the appliance or the battery pack except as indicated in the instructions for use and care.**

Important safety instructions for battery cartridge

- 1. Before using battery cartridge, read all instructions and cautionary markings on (1) battery charger, (2) battery, and (3) product using battery.**
- 2. Do not disassemble or tamper with the battery cartridge.** It may result in a fire, excessive heat, or explosion.
- 3. If operating time has become excessively shorter, stop operating immediately. It may result in a risk of overheating, possible burns and even an explosion.**
- 4. If electrolyte gets into your eyes, rinse them out with clear water and seek medical attention right away. It may result in loss of your eyesight.**
- 5. Do not short the battery cartridge:**
 - (1) Do not touch the terminals with any conductive material.**
 - (2) Avoid storing battery cartridge in a container with other metal objects such as nails, coins, etc.**
 - (3) Do not expose battery cartridge to water or rain.**

A battery short can cause a large current flow, overheating, possible burns and even a breakdown.
- 6. Do not store and use the appliance and battery cartridge in locations where the temperature may reach or exceed 50 °C (122 °F).**
- 7. Do not incinerate the battery cartridge even if it is severely damaged or is completely worn out. The battery cartridge can explode in a fire.**
- 8. Do not nail, cut, crush, throw, drop the battery cartridge, or hit against a hard object to the battery cartridge.** Such conduct may result in a fire, excessive heat, or explosion.
- 9. Do not use a damaged battery.**
- 10. Never service damaged battery packs.** Service of battery packs should only be performed by the manufacturer or authorized service providers.
- 11. The contained lithium-ion batteries are subject to the Dangerous Goods Legislation requirements.**

For commercial transports e.g. by third parties, forwarding agents, special requirement on packaging and labeling must be observed. For preparation of the item being shipped, consulting an expert for hazardous material is required. Please also observe possibly more detailed national regulations.

Tape or mask off open contacts and pack up the battery in such a manner that it cannot move around in the packaging.
- 12. When disposing the battery cartridge, remove it from the appliance and dispose of it in a safe place. Follow your local regulations relating to disposal of battery.**
- 13. Use the batteries only with the products specified by Makita.** Installing the batteries to non-compliant products may result in a fire, excessive heat, explosion, or leak of electrolyte.

14. If the appliance is not used for a long period of time, the battery must be removed from the appliance.
15. During and after use, the battery cartridge may take on heat which can cause burns or low temperature burns. Pay attention to the handling of hot battery cartridges.
16. Do not touch the terminal of the appliance immediately after use as it may get hot enough to cause burns.
17. Do not allow chips, dust, or soil stuck into the terminals, holes, and grooves of the battery cartridge. It may result in poor performance or breakdown of the appliance or battery cartridge.
18. Unless the appliance supports the use near high-voltage electrical power lines, do not use the battery cartridge near high-voltage electrical power lines. It may result in a malfunction or breakdown of the appliance or battery cartridge.
19. Keep the battery away from children.

SAVE THESE INSTRUCTIONS.

⚠ CAUTION: Only use genuine Makita batteries. Use of non-genuine Makita batteries, or batteries that have been altered, may result in the battery bursting causing fires, personal injury and damage. It will also void the Makita warranty for the Makita appliance and charger.

Tips for maintaining maximum battery life

1. Charge the battery cartridge before completely discharged. Always stop appliance operation and charge the battery cartridge when you notice less appliance power.
2. Never recharge a fully charged battery cartridge. Overcharging shortens the battery service life.
3. Charge the battery cartridge with room temperature at 10 °C - 40 °C (50 °F - 104 °F). Let a hot battery cartridge cool down before charging it.
4. When not using the battery cartridge, remove it from the appliance or the charger.
5. Charge the battery cartridge if you do not use it for a long period (more than six months).

Parts description

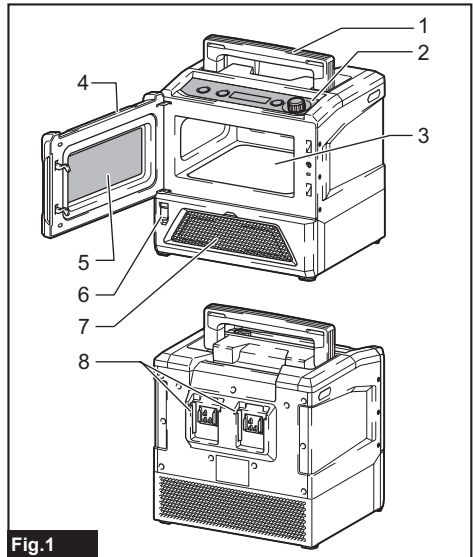


Fig.1

1. **Handle**
2. **Control panel**
Refer to the following description for detail.
3. **Cavity**
4. **Door**
The appliance must be operated with the door closed.
5. **Oven door mesh**
6. **USB port cover**
7. **Filter cover**
8. **Battery terminal**

Control panel

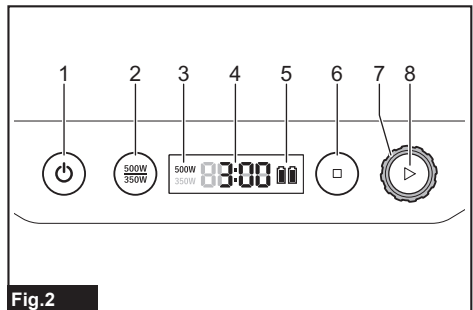


Fig.2

1. **Power switch button**
2. **Power selection button**
3. **Microwave power**
4. **Operating time / Error code**
5. **Battery indicator**
6. **Pause/Stop button**
7. **Time adjustment dial**
8. **Start button**

Beep sound

- **When heating operation finished:**
 - 2 seconds of beep sound. The beep will be cancelled if you open the door.
 - "beep, beep, beep" (once every 1 second) sounds every 1 minute if there is no operation.
 - the appliance turns off without any sound if there is no operation for 3 minutes.
- **When the remaining battery capacity is low:** "Beep, beep, beep", "beep, beep, beep", "beep, beep, beep" sounds.
- **When the error code is displayed:** A short, one "beep" sounds.

Quiet mode


After power on, long press the "STOP" and "START" buttons at the same time until "OFF" is displayed to enter the quiet mode. All prompt tones are turned off. In the quiet mode, long press the "STOP" and "START" buttons at the same time until "ON" is displayed to exit the quiet mode. All prompt tones are restored.

Error code

When the appliance detects a fault, the control panel will display the corresponding error code. Refer to the section for error code.

Symbols

The followings show the symbols which may be used for the equipment. Be sure that you understand their meaning before use.

v	volts
≡	direct current
	Warning: Hot surface. Risk of burns. Do not touch until cooled.

PREPARATION

CAUTION: Always be sure that the appliance is switched off and the battery cartridge is removed before adjusting or checking function on the appliance.

Installation

WARNING: Install or locate this appliance only in accordance with the provided installation instructions.

1. Take out all the packing. Check carefully for damage. If any, immediately notify dealer or send to our after-sales department.
2. Place the appliance.
 - The appliance must be placed under dry and non-corrosiveness environments, kept away from heat and humidity, such as gas burner or water tank.
 - To ensure sufficient ventilation, the distance between the back of the microwave oven and the wall should be at least 10 cm (3-15/16"), the side and the wall should be at least 2 cm (13/16").
 - Keep at least a 2-meter (78-3/4") interval between the microwave oven and TV, radio, and antenna as picture disturbance or noise may occur.
 - To raise the handle, we recommend to keep the free distance above the top surface at least 10 cm (3-15/16").
 - The microwave oven must not be operated in enclosed spaces such as cabinet. The microwave oven is intended to be used freestanding.

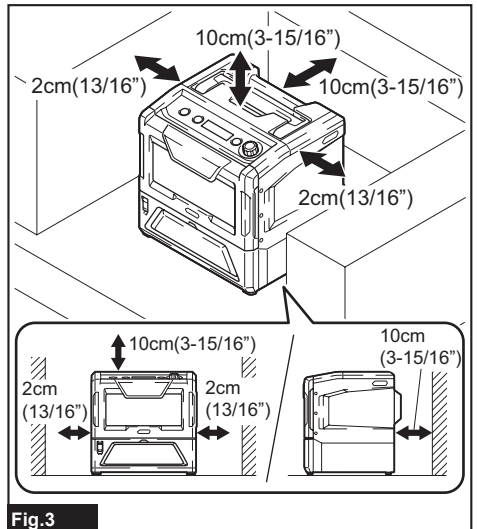


Fig.3

NOTE: When using the appliance for the first time, the appliance may give off odor or slight smoke. The cause is manufacturing residue or oil remained on the cavity or heat element. It is normal case and will go away after several times of use. Keep the door or window open to ensure good ventilation. It is strongly recommended to place a cup of water in the cavity, setting at 500W and operate for several times.

Battery cartridge

Indicating the remaining battery capacity

Press the check button on the battery cartridge to indicate the remaining battery capacity. The indicator lamps light up for a few seconds.

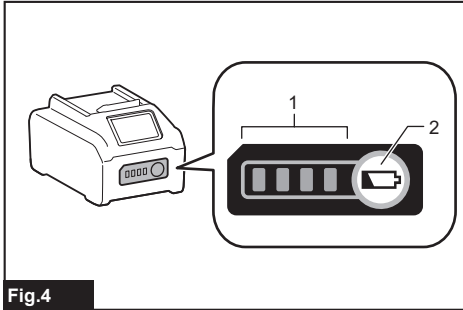


Fig.4

► 1. Indicator lamps 2. Check button

Indicator lamps			Remaining capacity
Lighted	Off	Blinking	
■ ■ ■ ■	□ □ □ □	□ □ □ □	75% to 100%
■ ■ ■ □	□ □ □ □	□ □ □ □	50% to 75%
■ ■ □ □	□ □ □ □	□ □ □ □	25% to 50%
■ □ □ □	□ □ □ □	□ □ □ □	0% to 25%
▣ □ □ □	□ □ □ □	□ □ □ □	Charge the battery.
■ ■ □ □	□ □ □ □	□ □ □ □	The battery may have malfunctioned.
□ □ □ ■	□ □ □ □	□ □ □ □	

NOTE: Depending on the conditions of use and the ambient temperature, the indication may differ slightly from the actual capacity.

NOTE: The first (far left) indicator lamp will blink when the battery protection system works.

Utensils guideline

CAUTION: Never use the metal containers for microwave cooking and combination cooking as spark is likely to occur.

It is strongly recommended to use the containers which are suitable and safe for microwave cooking. Generally speaking, the containers which are made of heat-resistant ceramic, glass or plastic are suitable for microwave cooking.

You can take the reference of below table.

Material of container	Microwave	Notes
Heat-resistant ceramic	Yes	Never use the ceramics which are decorated with metal rim or glazed.
Heat-resistant plastic	Yes	It cannot be used for long time microwave cooking.
Heat-resistant glass	Yes	-
Grill rack	No	-
Plastic film	Yes	It should not be used when cooking meat or chops as the over-temperature may do damage to the film.

Attaching the shoulder belt

Optional accessory

CAUTION: Make sure the shoulder belt securely attached properly. Otherwise falling accident may occur.

1. Put the belt through the two holes on the handle.
2. Buckle the belt.

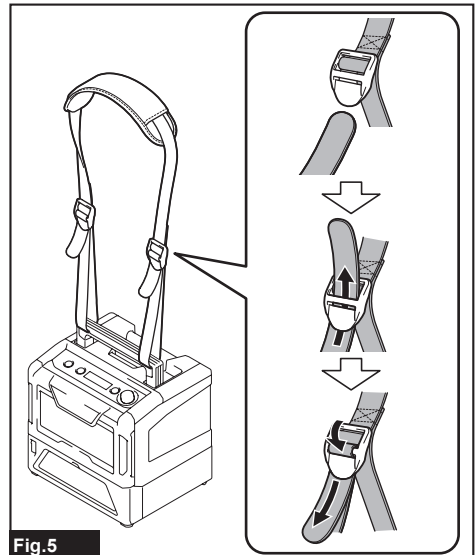


Fig.5

Appliance / battery protection system

The appliance and battery are equipped with the protection system. This system automatically cuts off power to the motor to extend appliance and battery life. The appliance will automatically stop during operation if the appliance or battery is placed under one of the following conditions.

- **Overload protection** : When the appliance or battery is operated in a manner that causes it to draw an abnormally high current, the appliance automatically stops without any indication. In this situation, turn the appliance off and stop the application that caused the appliance to become overloaded. Then turn the appliance on to restart.
- **Overheat protection** : When the appliance or battery is overheated, the appliance automatically stops. Let the appliance cool down before turning it on again.
- **Overdischarge protection** : When the battery capacity becomes low, the appliance stops automatically. If the appliance does not operate even when the switches are operated, remove the battery cartridge from the appliance and charge it.

Door opening and closing protection function

If the door is opened during the operation, the appliance stops working immediately, the light inside the cavity turns on, and the microwave work gets suspended. After the door is closed, the light inside the cavity goes out. Press the start button again to resume the operation.

When opening the door while the program is running and do not close it within 3 minutes, the appliance exit the program and shut down.

The operation does not start without closing the door. When pressing the start button with the door open, the buzzer beeps once, and displaying code: F09.

Tilt protection

The appliance cannot operate when the appliance is tilted. If the appliance is tilted, the error code: F01 is displayed. Place the appliance horizontally and restart operation.

Protections against other causes

Protection system is also designed for other causes that could damage the appliance and allows the appliance to stop automatically. Take all the following steps to clear the causes, when the appliance has been brought to a temporary halt or stop in operation.

When the error code is displayed, refer to the section for the error code.

1. Turn the appliance off, and then turn it on again to restart.
2. Charge the battery(ies) or replace it/them with recharged battery(ies).
3. Let the appliance and battery(ies) cool down.

If no improvement can be found by restoring protection system, then contact our after-sales department.

Using appliance with cord connected power source

Before using the cord connected power source, read instructions and cautionary markings on it.

⚠WARNING: When using the appliance with the cord connected power source, put the cord connected power source on the stable surface. This appliance is used in static position. Using the cord connected power source which you carry on your back may cause falling accident.

HOW TO USE

Installing or removing battery cartridge

⚠CAUTION: Always switch off the appliance before installing or removing of the battery cartridge.

⚠CAUTION: Hold the appliance and the battery cartridge firmly when installing or removing battery cartridge. Failure to hold the appliance and the battery cartridge firmly may cause them to slip off your hands and result in damage to the appliance and battery cartridge and a personal injury.

To install the battery cartridge, align the tongue on the battery cartridge with the groove in the housing and slip it into place. Insert it all the way until it locks in place with a little click. If you can see the red indicator on the upper side of the button, it is not locked completely.

To remove the battery cartridge, slide it from the appliance while sliding the button on the front of the cartridge.

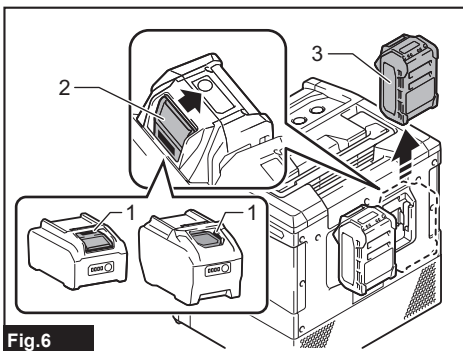


Fig.6

► 1. Red indicator 2. Button 3. Battery cartridge

⚠CAUTION: Always install the battery cartridge fully until the red indicator cannot be seen. If not, it may accidentally fall out of the tool, causing injury to you or someone around you.

⚠CAUTION: Do not install the battery cartridge forcibly. If the cartridge does not slide in easily, it is not being inserted correctly.

NOTE: Up to two battery cartridges can be installed, although the appliance uses one battery cartridge for operation.

If you install two batteries, the appliance use the battery on the right side in the figure first.

Basic operation

Turning on/off the appliance

Press the power switch button to start the appliance with one beep. After starting the appliance, the control panel displays microwave power of 500W, working time of 0 and battery power information by default and all button lights are on.

If there is no other operation within 3 minutes, it will be shut down automatically, and the display screen and button lights will all go out to enter the power off state.

After power on, press the power switch button to shut down in any state, including heating.

Heating operation

There are two heating power levels; 500W and 350W. Press the power selection button to switch between 500W and 350W. The control panel displays the corresponding level.

After the power is selected, turn the time adjustment knob clockwise to increase the time and counterclockwise to reduce the time. The maximum setting time is 20 minutes.

After selecting the power level and time, short press the start button to start microwave heating. When the heating is finished, a beep will sound to notify completion of the operation.

After the microwave heating starts, short press the pause/stop button to pause the heating.

To resume the operation during pause, short press the start button.

To quit the operation during pause, short press the pause/stop button. The remaining time is reset and the appliance goes into standby mode.

NOTICE: Do not repeat removing the battery cartridges immediately after the operation. Doing so several times does not cause a malfunction however an error may occur if it continues.

This appliance is equipped with the cooling fan.






The cooling fan may work to cool the appliance after the operation. Sound of air comes out when the cooling fan is working. This is not malfunction of the appliance.

NOTE: The heating time can be adjusted during heating.

NOTE: The output power cannot be switched during heating.

State of charge

The number of the bar in the battery indicators on the control panel shows the remaining battery capacity.

Battery indicators	Remaining capacity
	The remaining power is equal to or more than 75%.
	The remaining power is equal to or more than 50% and less than 75%.
	The remaining power is equal to or more than 25% and less than 50%.
	The remaining power is less than 25%.
 Blinking	Charge the battery. *

* Even if the battery capacity is remaining, the control panel may blink to request charging. This is not malfunction of the appliance. Some of the battery may not be possible to operate when its capacity falls below a certain level due to the specifications.

Applied operation

Cooking tips

The following factors may affect the cooking result:

Food arrangement

Place thicker areas towards outside of dish, the thinner part towards the center and spread it evenly. Do not overlap if possible.

Cooking time length

Start cooking with a short time setting, evaluate it after it times out and extend it according to the actual need. Over cooking may result in smoke and burns.

Cooking food evenly

Food such as chicken, hamburger or steak should be turned once during cooking. Depending on the type of food, if applicable, stir it from outside to center of dish once or twice during cooking.

Whether the food is done

Color and hardness of food help to determine if it is done, these include:

- Steam coming out from all parts of food, not just the edge
- Joints of poultry can be moved easily
- Pork or poultry shows no signs of blood
- Fish is opaque and can be sliced easily with a fork

Browning dish

When using a browning dish or self-heating container, always place a heat-resistant insulator such as a porcelain plate under it to prevent damage to the appliance.

Microwave safe plastic wrap

When cooking food with high fat content, do not allow the plastic wrap come into contact with food as it may melt

Microwave safe plastic cookware

Some microwave safe plastic cookware might not be suitable for cooking foods with high fat and sugar content. Also, the preheating time specified in the dish instruction manual must not be exceeded.

USB

USB output D.C.5V Max. 2.4A, automatic identification. The USB output port can be used to charge the mobile phone when the appliance is turned on. During the charging process, the appliance will not shut down automatically. If you use low-current USB device, the appliance will automatically shut off. After the charging is finished, the appliance will shut down if there is no operation for 3 minutes.

NOTICE: Connect only devices which are compatible with the USB power supply port. Otherwise it may cause malfunction to the appliance.

NOTICE: Do not connect the USB power supply port of this appliance to the USB terminal of your computer. It may cause malfunction.

NOTICE: Before connecting USB device to the appliance, always backup your data of USB device. Otherwise your data may be lost by any possibility.

NOTICE: When not using devices or after charging, remove the USB cable and put the cover on.

Cleaning

⚠WARNING: Always be sure that the appliance is switched off and the battery cartridge is removed before cleaning.

⚠WARNING: Don't immerse the appliance in water or other fluids when cleaning.

⚠CAUTION: Do not touch the appliance immediately after operation. Wait until the appliance is cooled down completely. Otherwise a burn injury may occur.

⚠CAUTION: Do not remove the oven door mesh.

NOTICE: The appliance should be cleaned regularly and any food deposits removed. Failure to keep the appliance clean may lead to deterioration of the surface that could adversely affect the life of the appliance.

NOTICE: Use only mild, nonabrasive soaps, or detergents applied with a sponge or soft cloth. Never use abrasive powder or metal brush to clean any part of the appliance.

After use, wipe the oven door mesh with a damp cloth, followed by dry cloth to remove any food splashes and grease. Built-up grease may overheat and begin to cause smoke or catch fire.

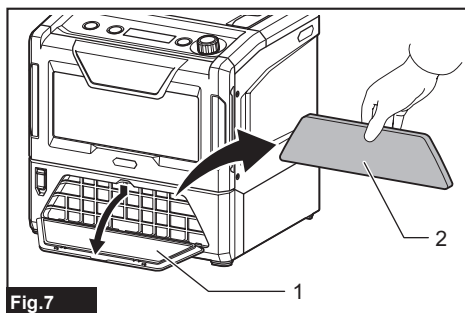
When the appliance has been used for a long time, there may be some strange odors exist in oven. One of following methods can get rid of them:

- Place several lemon slices in a cup, then heat with 500W for 2-3 minutes.
- Place a cup of red tea in oven, then heat with 500W for 2-3 minutes.
- Place some orange peel in oven, and then heat them with 500W for 1 minute.

How to clean the sponge filter:

Clean the sponge filter once a month by the following procedure:

1. Open the filter cover. Remove the sponge filter and take off the dust.
2. Wipe the surface and inside of the filter cover with a cleaning cloth.
3. Wash the sponge filter in water and dry well or blow out the sundries and dust adsorbed in the sponge filter with an air duster. When the sponge filter is damaged and cannot be cleaned, replace the sponge filter in time.



► 1. Filter cover 2. Sponge filter

Storage

When the appliance is not used, place the appliance indoor and ventilated area.

MAINTENANCE and INSPECTION

Maintenance

⚠️WARNING: MICROWAVE RADIATION

Remove the battery cartridge before maintenance. There is microwave radiation and high voltage in the microwave oven. The high-voltage capacitor still has dangerous voltage within 30 seconds after the power is cut off. It is necessary to use a tool with insulating handle to short-circuit and discharge the capacitor terminal with the shell. **To avoid injury to human body, it is strictly prohibited to disassemble and repair by yourself except the maintenance technicians.**

⚠️CAUTION: Always be sure that the appliance is switched off, unplugged, and the battery cartridge is removed before attempting to perform inspection or maintenance.

NOTICE: Never use gasoline, benzine, thinner, alcohol or the like. Discoloration, deformation or cracks may result.

To maintain product SAFETY and RELIABILITY, repairs, any other maintenance or adjustment should be performed by Makita Authorized or Factory Service Centers, always using Makita replacement parts.

Error code

When the appliance detects a fault, the control panel displays the corresponding fault code as follows:

Error code	Matter
F01	The appliance is placed about over 30 degrees from level angle. Check whether the appliance is placed horizontally.
F02	Overcurrent. Shut down and restart after replacing the battery.
F03	Overvoltage. Shut down and restart after replacing the battery.
F04	Over-temperature. Let the appliance stand for a period of time and restart the appliance after it cools down.
F05	Failure of the fan inside the appliance. Turn off and restart the appliance.
F06	Failure of the magnetron inside the appliance. Turn off and restart the appliance.
F07	Failure of internal energization. Turn off and restart the appliance.
F09	The door opening and closing protection function may active. Refer to the section for the door opening and closing protection function. If the error still does not improve, turn off and restart the appliance.

If the error still does not improve, take the appliance to Makita Authorized or Factory Service Centers.

Servicing

Check the appliance working correctly or not by following:

Place one cup of water in a heat-resistant glass (approx.150ml) in the cavity and close the door securely. Let the appliance work for 1 min.

- Does the light inside the cavity turns on?
 - Does the water inside the cavity become hot?
- If "NO" is the answer to any of the above questions, the appliance has some problem inside. Ask Makita Authorized or Factory Service Centers to repair.

Disposal

⚠️WARNING: Dispose the appliance properly. Disposal of the appliance should be performed according to local ordinances and by laws.

OPTIONAL ACCESSORIES

⚠️CAUTION: These accessories or attachments are recommended for use with your Makita appliance specified in this manual. The use of any other accessories or attachments might present a risk of injury to persons. Only use accessory or attachment for its stated purpose.

If you need any assistance for more details regarding these accessories, ask your local Makita Service Center.

- Makita genuine battery and Makita authorized charger
- Shoulder belt

NOTE: Some items in the list may be included in the tool package as standard accessories. They may differ from country to country.

MAKITA LIMITED WARRANTY

Please refer to the annexed warranty sheet for the most current warranty terms applicable to this product. If annexed warranty sheet is not available, refer to the warranty details set forth at below website for your respective country.

United States of America: www.makitatools.com
Canada: www.makita.ca
Other countries: www.makita.com

CONSIGNES DE SÉCURITÉ IMPORTANTES

LISEZ CE MANUEL AVEC SOIN ET CONSERVEZ-LE POUR LE CONSULTER ULTÉRIEUREMENT

INTRODUCTION

Spécifications

Modèle :		MW001G
Tension nominale		C.C. 36 V - 40 V max
Puissance hyperfréquence		500 W * / 350 W
Dimensions (P x L x H)	Dimensions externes	343 mm x 318 mm x 338 mm (13-1/2" x 12-1/2" x 13-1/4") (Sans batterie) (Avec poignée en position abaissée)
	Cavité	255 mm x 241 mm x 120 mm (10" x 9-1/2" x 4-3/4")
Capacité		8 L
Fréquence de fonctionnement		2 450 MHz
Poids net		8,9 kg (19,6 lbs) (Sans batterie)
Port d'alimentation USB		Type A / tension de sortie en C.C. 5 V / courant de sortie en C.C. 2,4 A (Max.)

- * La puissance hyperfréquence de 500 W est une fonction de suralimentation temporaire. Elle passe automatiquement à une puissance hyperfréquence de 350 W après environ 8 minutes.
- Étant donné l'évolution constante de notre programme de recherche et développement, les spécifications contenues dans ce manuel sont sujettes à modification sans préavis.
- Les spécifications peuvent varier suivant les pays.

Batteries et chargeurs applicables

Batterie	BL4020 / BL4025 / BL4040 / BL4050F / BL4080F
Chargeur	DC40RA / DC40RB / DC40RC

- Suivant la région où vous habitez, il se peut que certaines des batteries et certains des chargeurs énumérés ci-dessus ne soient pas disponibles.

⚠ MISE EN GARDE : Utilisez exclusivement les batteries et chargeurs énumérés ci-dessus. L'utilisation de toute autre batterie ou tout autre chargeur peut entraîner une blessure et/ou un incendie.

Source d'alimentation connectée au cordon recommandée

Support d'alimentation portable	PDC1200
---------------------------------	---------

- Suivant la région où vous habitez, il se peut que la ou les sources d'alimentation connectées au cordon énumérées ci-dessus ne soient pas disponibles.
- Avant d'utiliser la source d'alimentation connectée au cordon, lisez les instructions et indications de mise en garde qui se trouvent sur celle-ci.

Temps de fonctionnement estimé

Batterie (entièrement chargée)	500 W	350 W
BL4020 x 2	6 min	11 min
BL4025 x 2	8 min	14 min
BL4040 x 2	15 min	21 min
BL4050F x 2	22 min	30 min
BL4080F x 2	35 min	48 min
PDC1200	84 min	113 min

NOTE : Les valeurs sont approximatives et peuvent varier suivant l'état de charge et les conditions d'utilisation.

NOTE : Le temps de fonctionnement estimé avec une batterie correspond à environ la moitié de la période par rapport à l'utilisation de deux batteries.

CONSIGNES DE SÉCURITÉ IMPORTANTES

Lors de l'utilisation d'appareils électriques, vous devez toujours prendre des précautions de sécurité de base, dont les suivantes :

MISE EN GARDE

Pour réduire le risque de brûlures, de décharges électriques, d'incendies, de blessures aux personnes ou d'exposition à une énergie micro-onde excessive :

1. Lisez toutes les instructions avant d'utiliser l'appareil.
2. Lisez et suivez les « PRÉCAUTIONS POUR ÉVITER UNE POSSIBLE EXPOSITION À UNE ÉNERGIE MICRO-ONDE EXCESSIVE » de la présente section.
3. Installez ou placez cet appareil uniquement en conformité avec les instructions d'installation fournies.
4. Certains produits, comme les œufs entiers et les contenants scellés – par exemple, les bocaux fermés – peuvent exploser et ne doivent pas être chauffés dans ce four.
5. Utilisez cet appareil uniquement aux fins pour lesquelles il est prévu, comme décrit dans le présent manuel. N'utilisez pas de produits chimiques ou de vapeurs corrosifs dans cet appareil. Ce type de four est spécialement conçu pour chauffer, cuire ou sécher de la nourriture. Il n'est pas conçu pour une utilisation industrielle ou de laboratoire.
6. Comme avec n'importe quel appareil, les enfants doivent être supervisés de près au besoin lorsqu'ils l'utilisent.
7. Cet appareil ne doit être réparé que par du personnel d'entretien qualifié. Contactez l'installation de service après-vente autorisé la plus proche pour la réalisation d'un examen, d'une réparation ou d'un réglage.
8. Ne bloquez pas et ne cachez pas toute ouverture sur l'appareil.
9. Ne rangez pas cet appareil à l'extérieur. N'utilisez pas ce produit près de l'eau, par exemple, proche d'un évier de cuisine, dans un sous-sol humide, à côté d'une piscine ou à des endroits similaires.
10. Lors du nettoyage des surfaces de la porte et du four qui entrent en contact au moment de la fermeture de la porte, utilisez uniquement des savons ou des détergents doux non abrasifs appliqués avec une éponge ou un chiffon doux.

11. **Pour réduire le risque d'incendie sur une cavité du four :**
 - a **Ne cuisez pas les aliments de façon excessive. Surveillez attentivement l'appareil lorsque du papier, du plastique ou d'autres matériaux combustibles sont placés à l'intérieur du four pour faciliter la cuisson.**
 - b **Retirez les ligatures métalliques du papier ou des sacs en plastique avant de mettre un sac dans le four.**
 - c **Si des matériaux à l'intérieur du four prennent feu, gardez la porte du four fermée, puis éteignez-le et déconnectez le cordon d'alimentation, ou coupez l'alimentation au panneau de fusibles ou de disjoncteurs.**
 - d **N'utilisez pas la cavité à des fins de rangement. Ne laissez pas de produits en papier, d'ustensiles de cuisson ou d'aliments dans la cavité lorsque vous n'utilisez pas l'appareil.**
12. **Les liquides, comme l'eau, le café ou le thé peuvent être surchauffés au-delà du point d'ébullition sans qu'ils semblent bouillir. Le bouillonnement ou l'ébullition visible lorsque le contenant est retiré du four à micro-ondes n'est pas toujours présent. CECI PEUT ENTRAÎNER DES LIQUIDES TRÈS CHAUDS QUI DÉBORDENT SOUDAINEMENT EN RAISON DE L'ÉBULLITION LORSQUE LE CONTENANT EST PERTURBÉ OU QU'UN USTENSILE EST INSÉRÉ DANS LE LIQUIDE.**
13. **NE bougez PAS l'appareil pendant qu'il fonctionne.**
14. **N'UTILISEZ PAS l'appareil sous la pluie.**
15. **Pour réduire le risque de décharge électrique, ne mettez pas le four à micro-ondes dans l'eau ou tout autre liquide. Ne mettez pas et ne rangez pas le produit là où il peut tomber ou être entraîné dans une baignoire ou un évier.**
16. **Cet appareil est conforme à la Section 18 des Règlements de la FCC.**

PRÉCAUTIONS POUR ÉVITER UNE POSSIBLE EXPOSITION À UNE ÉNERGIE MICRO-ONDE EXCESSIVE

- a) **Ne tentez pas d'utiliser ce four lorsque la porte est ouverte, car cela peut entraîner une exposition nocive à de l'énergie par micro-ondes. Il est important de ne pas contourner ou altérer les verrouillages de sécurité.**
- b) **Ne placez aucun objet entre la face avant du four et la porte, et ne laissez pas de terre ou d'autres résidus de nettoyage s'accumuler sur les surfaces d'étanchéité.**
- c) **N'utilisez pas le four s'il est endommagé. Il est particulièrement important que la porte de four se ferme correctement et qu'il n'y ait aucun dommage à :**
 - (1) **la porte (pliée);**
 - (2) **les charnières et les loquets (brisés ou desserrés);**
 - (3) **les joints de porte et les surfaces d'étanchéité.**
- d) **Le four ne doit pas être ajusté ou réparé par quiconque, sauf par du personnel d'entretien qualifié.**

⚠ MISE EN GARDE : Veuillez lire toutes les consignes de sécurité et instructions. La non-observation des mises en garde et instructions comporte un risque de décharge électrique, d'incendie et/ou de blessure grave.

Mesures de sécurité importantes

1. Ne vous assoyez pas et ne vous tenez pas de bout sur l'appareil. Ne mettez pas d'objets sur l'appareil.
2. Cet appareil peut être utilisé par les enfants âgés de 8 ans et plus, et par les personnes à facultés physiques, sensorielles ou mentales réduites ou dont l'expérience et les connaissances sont insuffisantes, à condition qu'ils soient supervisés ou aient reçu des instructions sur l'utilisation sécuritaire de l'appareil et comprennent les risques qu'il comporte.
3. Les enfants ne doivent pas jouer avec l'appareil.
4. Ne faites pas fonctionner l'appareil lorsqu'il n'y a aucune nourriture dans la cavité. Autrement, l'appareil risque d'être endommagé.
5. Ne percez pas la maille de la porte du four. Dans le cas contraire, cela causera une fuite de micro-ondes.
6. N'utilisez pas cet appareil dans des espaces confinés, comme une armoire.
7. Placez l'appareil sur une surface plane et de niveau.
8. N'utilisez pas l'appareil pendant qu'il est suspendu. N'utilisez la poignée de transport à aucune autre fin que le transport de l'appareil.
9. Retirez la batterie lorsque vous transportez l'appareil.
10. N'utilisez pas l'appareil sous la pluie. Ne mouillez pas l'appareil. Si l'appareil est exposé à l'eau, faites-le inspecter par notre service après-vente.
11. Si l'appareil subit un impact ou tombe, envoyez-le à notre service après-vente pour le faire inspecter et réparer ponctuellement.
12. Il est interdit de chauffer des matériaux inflammables et explosifs, particulièrement de la glace sèche.
13. N'utilisez que des ustensiles qui sont adéquats pour une utilisation dans les fours à micro-ondes.
14. Les contenants métalliques pour la nourriture et les boissons ne sont pas autorisés pour la cuisson par micro-ondes.
15. Le contenu des biberons et des pots d'aliment pour bébés doit être mélangé ou secoué et la température doit être vérifiée avant la consommation afin d'éviter les brûlures.
16. Ne mettez pas de matériaux inflammables et combustibles proches de l'appareil.
17. Pendant le fonctionnement de l'appareil, gardez vos yeux sur l'état de la cuisson du four à micro-ondes en tout temps. Réglez le temps de cuisson adéquat. Une cuisson excessive peut causer un incendie.
18. Pendant le processus de cuisson d'un aliment léger contenant peu d'eau, en raison de la capacité d'absorption différente des micro-ondes, il peut y avoir des parties chaudes et froides réparties de façon inégale. Il s'agit d'un phénomène normal.
19. De petites quantités d'aliments ou des aliments à faible contenu en humidité peuvent sécher, brûler ou prendre en feu s'ils sont surchauffés.
20. Ne séchez pas de vêtements, journaux ou autres matériaux dans le four à micro-ondes, et n'utilisez pas de journal ou de sacs en papier pour la cuisson.
21. Le chauffage par micro-ondes de boissons peut entraîner une ébullition éruptive différée. Il faut par conséquent faire preuve de prudence lors de la manipulation du contenant.
22. N'utilisez pas d'objets pouvant couper (comme une lame d'acier, une spatule, une cuillère, etc.) pour nettoyer la cavité.
23. Si l'appareil n'est pas maintenu dans un état propre, cela pourrait entraîner la détérioration de la surface. Ceci pourrait avoir un effet nocif sur la durée de vie de l'appareil et possiblement entraîner une situation dangereuse.
24. L'appareil ne doit pas être nettoyé à l'aide d'un nettoyeur à vapeur.

Consignes de sécurité pour l'appareil à batterie

Utilisation et entretien de l'appareil à batterie

1. **Prévenez le démarrage accidentel.** Assurez-vous que l'interrupteur est sur la position d'arrêt avant de connecter la batterie, de ramasser l'appareil ou de le transporter. Transporter l'appareil avec le doigt sur l'interrupteur, ou mettre l'appareil sous tension avec l'interrupteur en position de marche ouvre la porte aux accidents.
2. **Déconnectez la batterie de l'appareil avant d'effectuer tout réglage, de remplacer les accessoires ou de ranger l'appareil.** De telles mesures de prévention réduisent le risque de démarrage accidentel de l'appareil.
3. **Pour recharger, utilisez uniquement le chargeur spécifié par le fabricant.** L'utilisation d'un chargeur conçu pour un type donné de bloc-piles comporte un risque d'incendie lorsqu'il est utilisé avec un autre type de bloc-piles.
4. **Utilisez les appareils uniquement avec les batteries spécifiquement désignées.** L'utilisation d'autres batteries peut présenter un risque de blessure et d'incendie.
5. Lorsque vous n'utilisez pas le bloc-piles, rangez-le à l'écart des objets métalliques tels que trombones, pièces de monnaie, clés, clous, vis ou autres petits objets métalliques qui risqueraient d'établir une connexion entre les bornes. La mise en court-circuit des bornes de batterie peut causer des brûlures ou un incendie.
6. **Dans des conditions d'utilisation inadéquates de la batterie, il peut y avoir fuite d'électrolyte; évitez tout contact avec ce liquide.** En cas de contact accidentel, rincez avec beaucoup d'eau. Si le liquide pénètre dans vos yeux, il faut aussi consulter un médecin. L'électrolyte qui s'échappe de la batterie peut causer des irritations ou des brûlures.

7. **N'utilisez pas une batterie ou un appareil endommagé ou modifié.** Les batteries endommagées ou modifiées peuvent avoir un comportement imprévisible dont peut résulter un incendie, une explosion ou un risque de blessure.
8. **N'exposez pas une batterie ou un appareil au feu ou à une température excessive.** L'exposition au feu ou à une température supérieure à 130 °C peut entraîner une explosion.
9. **Respectez toutes les instructions de charge, et ne chargez pas la batterie ou l'appareil hors de la plage de température spécifiée dans les instructions.** Charger de manière inadéquate ou à des températures hors de la plage spécifiée peut endommager la batterie et augmenter le risque d'incendie.
10. **Confiez l'entretien à un réparateur qualifié et n'utilisant que des pièces de rechange identiques aux pièces d'origine.** Cela assurera le maintien du produit dans un état sécuritaire.
11. **Ne modifiez pas, ou n'essayez pas de réparer l'appareil ou la batterie autrement que comme indiqué dans les instructions d'utilisation et d'entretien.**
9. **N'utilisez pas une batterie si elle est endommagée.**
10. **N'essayez jamais de réparer les batteries endommagées.** La réparation des batteries ne doit être effectuée que par le fabricant ou par un fournisseur de service après-vente agréé.
11. **Les batteries lithium-ion fournies sont soumises aux exigences de la législation sur les marchandises dangereuses.**
Des exigences particulières sur l'emballage et l'étiquetage doivent être respectées lors du transport commercial par des tiers, des transitaires, etc. Pour préparer la marchandise à expédier, consultez un expert en matériaux dangereux si nécessaire. Respectez aussi les éventuelles réglementations nationales plus détaillées.
Recouvrez de ruban isolant les contacts exposés, et emballez la batterie de sorte qu'elle ne puisse pas se déplacer à l'intérieur de l'emballage.
12. **Lors de l'élimination de la batterie, retirez-la de l'appareil et éliminez-la dans un endroit sûr. Respectez la réglementation locale concernant l'élimination de la batterie.**
13. **N'utilisez les batteries qu'avec les produits spécifiés par Makita.** Installer les batteries sur des produits non conformes peut entraîner un incendie, une chaleur excessive, une explosion ou une fuite d'électrolyte.

Consignes de sécurité importantes pour la batterie

1. **Avant d'utiliser la batterie, lisez toutes les instructions et les mises en garde apposées sur (1) le chargeur de batterie, (2) la batterie et (3) le produit utilisant la batterie.**
2. **Ne démontez pas et ne modifiez pas la batterie.** Cela peut entraîner un incendie, une chaleur excessive ou une explosion.
3. **Cessez immédiatement l'utilisation si le temps de fonctionnement devient excessivement court. Il y a un risque de surchauffe, de brûlures, voire d'explosion.**
4. **Si l'électrolyte pénètre dans vos yeux, rincez-les à l'eau claire et consultez immédiatement un médecin. Il y a un risque de perte de la vue.**
5. **Ne court-circuitez pas la batterie :**
 - (1) **Ne touchez les bornes avec aucun matériau conducteur.**
 - (2) **Évitez de ranger la batterie dans un conteneur avec d'autres objets métalliques tels que clous, pièces de monnaie, etc.**
 - (3) **Évitez d'exposer la batterie à l'eau ou à la pluie.**

Un court-circuit de la batterie pourrait provoquer un fort courant, une surchauffe, parfois des brûlures et même une panne.

6. **Ne rangez pas et n'utilisez pas l'appareil ou la batterie dans des endroits où la température peut atteindre ou dépasser 50 °C (122 °F).**
7. **Ne jetez pas la batterie au feu même si elle est sérieusement endommagée ou complètement épuisée. La batterie peut exploser au contact du feu.**
8. **Évitez de clouer, de couper, d'écraser, de lancer ou d'échapper la batterie, ou de heurter un objet dur contre la batterie.** Cela peut entraîner un incendie, une chaleur excessive ou une explosion.
14. **Si l'appareil reste inutilisé pendant une période prolongée, la batterie doit en être retirée.**
15. **Pendant et après l'utilisation, la batterie peut accumuler de la chaleur, ce qui peut causer des brûlures ou des brûlures à basse température. Faites attention lors de la manipulation des batteries chaudes.**
16. **Ne touchez pas la borne de l'appareil immédiatement après l'utilisation, car elle peut être assez chaude pour causer des brûlures.**
17. **Ne laissez pas des copeaux, de la poussière ou de la terre se coincer dans les bornes, les trous et les rainures de la batterie.** Cela peut entraîner un fonctionnement médiocre ou une panne de l'appareil ou de la batterie.
18. **À moins que l'appareil ne soit compatible avec l'utilisation à proximité des lignes électriques haute tension, n'utilisez pas la batterie à proximité d'une ligne électrique haute tension.** Cela peut entraîner un dysfonctionnement ou une panne de l'appareil ou de la batterie.
19. **Gardez la batterie à l'écart des enfants.**

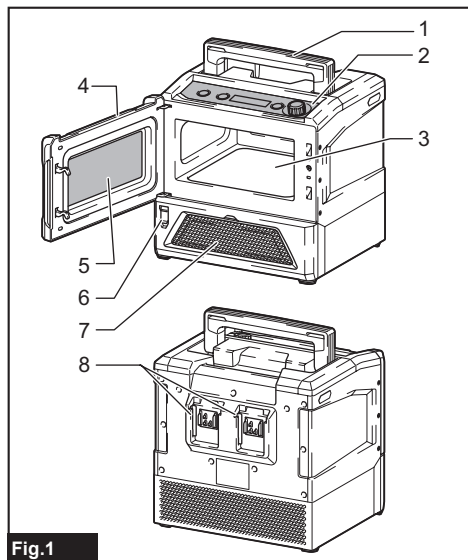
CONSERVEZ CES INSTRUCTIONS.

⚠ATTENTION : Utilisez exclusivement les batteries fabriquées par Makita. Les batteries autres que celles fabriquées par Makita ou les batteries modifiées peuvent exploser et causer un incendie, une blessure ou des dommages. Cela annule aussi la garantie Makita de l'appareil et du chargeur Makita.

Conseils pour maintenir la durée de service maximale de la batterie

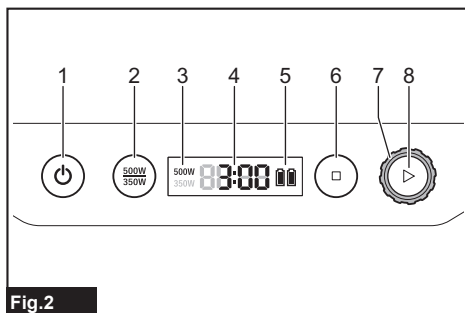
1. Rechargez la batterie avant qu'elle ne soit complètement déchargée. Arrêtez toujours l'appareil et rechargez la batterie quand vous remarquez que la puissance de l'appareil diminue.
2. Ne rechargez jamais une batterie complètement chargée. La surcharge réduit la durée de service de la batterie.
3. Chargez la batterie à une température ambiante comprise entre 10 °C et 40 °C (50 °F et 104 °F). Si la batterie est chaude, laissez-la refroidir avant de la charger.
4. Lorsque vous n'utilisez pas la batterie, retirez-la de l'appareil ou du chargeur.
5. Chargez la batterie si elle est restée inutilisée pendant une période prolongée (plus de six mois).

Description des pièces



1. Poignée
2. Panneau de commande
Pour plus de détails, reportez-vous à la description suivante.
3. Cavité
4. Porte
5. Maille de porte de four
6. Couvercle de port USB
7. Couvercle de filtre
8. Borne de batterie

Panneau de commande



1. Bouton d'alimentation
2. Bouton de sélection de la puissance
3. Puissance hyperfréquence
4. Temps de fonctionnement/Code d'erreur
5. Voyant de batterie
6. Bouton de mise en pause/arrêt
7. Cadran de réglage du temps
8. Bouton de démarrage

Bip

- **Lorsque l'opération de chauffage est terminée :**
 - bips pendant 2 secondes. Les bips s'arrêteront si vous ouvrez la porte.
 - « bip, bip, bip » (un toutes les secondes) se fait entendre toutes les minutes s'il n'y a aucun fonctionnement.
 - l'appareil s'éteint sans aucun son s'il n'y a pas d'opération pendant 3 minutes.
- **Lorsque la charge restante de la batterie est faible :**
 - « Bip, bip, bip », « bip, bip, bip », « bip, bip, bip » se fait entendre.
- **Lorsque le code d'erreur est affiché :**
 - Un court « bip » se fait entendre.

Mode silencieux

Après la mise en marche, appuyez longuement de façon simultanée sur les boutons « STOP » et « START » jusqu'à ce que « OFF » s'affiche pour entrer dans le mode silencieux. Toutes les tonalités d'invite sont désactivées.

Dans le mode silencieux, appuyez longuement de façon simultanée sur les boutons « STOP » et « START » jusqu'à ce que « ON » s'affiche pour sortir du mode silencieux. Toutes les tonalités d'invite sont restaurées.

Code d'erreur

Lorsque l'appareil détecte une défaillance, le panneau de commande affiche le code d'erreur correspondant. Reportez-vous à la section pour le code d'erreur.

Symboles

Les symboles qui peuvent être utilisés pour l'équipement sont indiqués ci-dessous. Vous devez avoir compris leur signification avant l'utilisation.

v volts

— — — courant continu



Mise en garde : Surface chaude. Risque de brûlures. Ne touchez pas à l'appareil avant qu'il ait refroidi.

PRÉPARATION

ATTENTION : Assurez-vous toujours que l'appareil est éteint et que sa batterie est retirée avant de l'ajuster ou de vérifier son fonctionnement.

Installation

MISE EN GARDE : Installez ou placez cet appareil uniquement en conformité avec les instructions d'installation fournies.

1. Enlevez tout l'emballage. Vérifiez soigneusement s'il y a des dommages. Si c'est le cas, avisez immédiatement le détaillant ou envoyez le produit à notre service après-vente.
2. Placez l'appareil.
 - L'appareil doit être placé dans un environnement sec et non corrosif, et maintenu à l'écart de la chaleur et de l'humidité, comme celle produite par un brûleur au gaz ou un réservoir d'eau.
 - Pour assurer une ventilation suffisante, la distance entre l'arrière du four à micro-ondes et le mur doit être d'au moins 10 cm (3-15/16 po), et celle entre le côté et le mur doit être d'au moins 2 cm (13/16 po).
 - Conservez au moins 2 mètres (78-3/4 po) d'intervalle entre le four à micro-ondes et la télé, la radio et l'antenne, car une perturbation de l'image ou du bruit pourrait se produire.
 - Pour soulever la poignée, nous recommandons de garder une distance libre au-dessus de la surface supérieure d'au moins 10 cm (3-15/16 po).
 - Le four à micro-ondes ne doit pas être utilisé dans des espaces confinés, comme une armoire. Le four à micro-ondes est destiné à être utilisé de façon autonome.

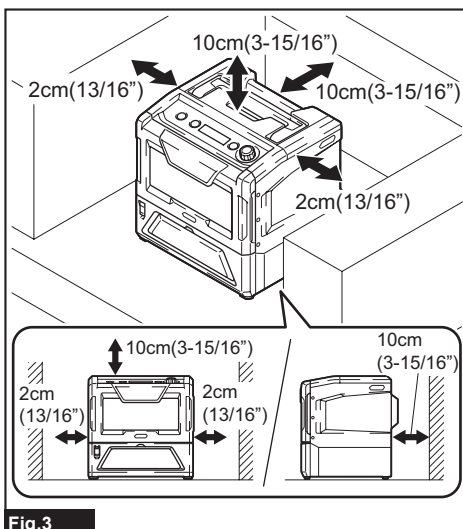


Fig.3

NOTE : Lorsque vous utilisez l'appareil pour la première fois, l'appareil peut dégager une odeur ou une légère fumée. La cause est un résidu de fabrication ou de l'huile restée sur la cavité ou l'élément chauffant. C'est une situation normale qui se dissipera après plusieurs utilisations. Gardez la porte ou une fenêtre ouverte pour assurer une bonne ventilation. Il est fortement recommandé de placer une tasse d'eau dans la cavité en réglant l'appareil à 500 W et de l'opérer à plusieurs reprises.

Batterie

Affichage de la charge restante de la batterie

Appuyez sur le bouton de vérification de la batterie pour afficher la charge restante de la batterie. Les témoins indicateurs s'allument pendant quelques secondes.

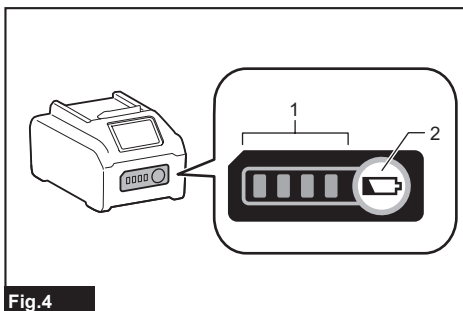


Fig.4

► 1. Témoins indicateurs 2. Bouton de vérification

Témoins indicateurs			Charge restante
Allumé	Éteint	Clignotant	
■	□	◻	75 % à 100 %
■	■	■	50 % à 75 %
■	■	□	25 % à 50 %
■	□	□	0 % à 25 %
◻	◻	◻	Chargez la batterie.
◻	◻	◻	La batterie a peut-être mal fonctionné.

NOTE : Suivant les conditions d'utilisation et la température ambiante, il se peut que l'indication soit légèrement différente de la charge réelle.

NOTE : La première lampe témoin (à l'extrémité gauche) clignote lorsque le dispositif de protection de la batterie s'active.

Recommandations concernant les ustensiles

ATTENTION : N'utilisez jamais les contenants en métal pour la cuisson par micro-ondes ou une cuisson combinée, car cela est susceptible de générer des étincelles.

Il est fortement recommandé d'utiliser les contenants qui sont adéquats et sécuritaires pour une cuisson par micro-ondes. De façon générale, les contenants qui sont en céramique, en verre ou en plastique résistant à la chaleur sont adéquats pour la cuisson par micro-ondes.

Vous pouvez prendre la référence du tableau ci-dessous.

Matériau du contenant	Micro-ondes	Remarques
Céramique résistante à la chaleur	Oui	N'utilisez jamais de céramique décorée avec un bord en métal ou glaçurée.
Plastique résistant à la chaleur	Oui	Il ne peut pas être utilisé pour une cuisson par micro-ondes longue.
Verre résistant à la chaleur	Oui	-
Support de gril	Non	-
Pellicule plastique	Oui	Il ne faut pas l'utiliser pour cuire de la viande ou des côtelettes, car une température excessive peut endommager la pellicule.

Fixation de la sangle d'épaule

Accessoire en option

ATTENTION : Assurez-vous que la sangle d'épaule est solidement fixée. Autrement, l'appareil risque de provoquer un accident en tombant.

1. Insérez la sangle dans les deux trous dans la poignée.
2. Bouclez la sangle.

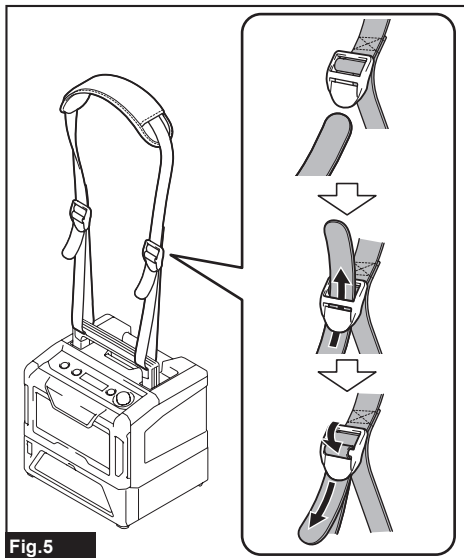


Fig.5

Dispositif de protection de l'appareil et de la batterie

L'appareil et la batterie sont équipés d'un dispositif de protection. Ce dispositif coupe automatiquement l'alimentation du moteur pour prolonger la durée de service de l'appareil et de la batterie. L'appareil s'arrête automatiquement pendant l'utilisation lorsque l'appareil ou la batterie se trouve dans l'une des situations suivantes :

- Protection contre la surcharge : Lorsque l'appareil ou la batterie est utilisé d'une manière entraînant une consommation anormale de courant, il s'arrête automatiquement sans aucune indication. Le cas échéant, éteignez l'appareil et cessez l'application qui a causé la surcharge de l'appareil. Allumez ensuite l'appareil pour redémarrer.
- Protection contre la surchauffe : Lorsque l'appareil ou la batterie surchauffe, il s'arrête automatiquement. Laissez refroidir l'appareil avant de le rallumer.
- Protection contre la décharge excessive : Lorsque la charge de la batterie devient faible, l'appareil s'arrête automatiquement. Si l'appareil ne fonctionne pas même lorsque vous activez les interrupteurs, retirez la batterie de l'appareil et rechargez-la.

Fonction de protection de l'ouverture et la fermeture de porte

Si la porte est ouverte pendant le fonctionnement, l'appareil cesse de fonctionner immédiatement, la lampe à l'intérieur de la cavité s'allume et le fonctionnement du micro-ondes est interrompu. Une fois que la porte est fermée, la lampe à l'intérieur de la cavité s'éteint. Appuyez sur le bouton de démarrage de nouveau pour reprendre le fonctionnement.

Lorsque la porte est ouverte pendant qu'un programme fonctionne et qu'elle n'est pas fermée dans les 3 minutes, l'appareil sort du programme et s'arrête.

L'opération ne démarre pas si la porte n'est pas fermée. Lorsque vous appuyez sur le bouton de démarrage alors que la porte est ouverte, l'avertisseur émet un bip et affiche un code : F09.

Protection contre l'inclinaison

L'appareil ne peut pas fonctionner lorsqu'il est incliné.

Si l'appareil est incliné, le code d'erreur F01 s'affiche.

Placez l'appareil horizontalement et redémarrez le fonctionnement.

Protections contre d'autres causes

Le dispositif de protection est aussi conçu pour d'autres causes qui pourraient endommager l'appareil et permet d'arrêter automatiquement l'appareil. Prenez toutes les mesures suivantes pour éliminer les causes lorsque le fonctionnement de l'appareil a été interrompu temporairement ou arrêté.

Lorsque le code d'erreur est affiché, reportez-vous à la section pour le code d'erreur.

1. Éteignez l'appareil et remettez-le de nouveau en marche.
2. Chargez la/les batterie(s) ou remplacez-la/les par une/des batteries rechargée(s).
3. Laissez l'appareil et la/les batteries se refroidir.

Si la situation ne s'améliore pas en restaurant le dispositif de protection, contactez notre service après-vente.

Utilisation de l'appareil avec une source d'alimentation connectée au cordon

Avant d'utiliser la source d'alimentation connectée au cordon, lisez les instructions et indications de mise en garde qui se trouvent sur celle-ci.

⚠ MISE EN GARDE : Lors de l'utilisation de l'appareil avec la source d'alimentation connectée au cordon, mettez la source d'alimentation connectée au cordon sur une surface stable. Cet appareil est utilisé en position statique. L'utilisation de la source d'alimentation connectée au cordon que vous transportez sur votre dos pourrait causer un accident dû à une chute.

MODE D'EMPLOI

Installation ou retrait de la batterie

⚠ ATTENTION : Éteignez toujours l'appareil avant d'installer ou de retirer la batterie.

⚠ ATTENTION : Tenez fermement l'appareil et la batterie lors de l'installation ou du retrait de cette dernière. Sinon, l'appareil et la batterie pourraient vous glisser des mains, ce qui risque d'endommager l'appareil et la batterie, ou encore de provoquer des blessures.

Pour installer la batterie, alignez sa languette sur la rainure pratiquée dans le boîtier, et glissez la batterie en place. Insérez-la à fond jusqu'à ce que vous entendiez un léger déclic. Si vous pouvez voir l'indicateur rouge sur le dessus du bouton, la batterie n'est pas complètement verrouillée.

Pour retirer la batterie, faites-la glisser de l'appareil tout en faisant glisser le bouton qui se trouve à l'avant de la batterie.

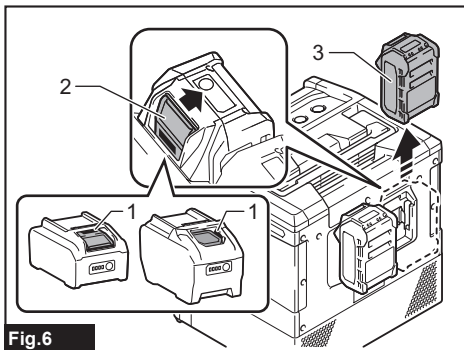


Fig. 6

► 1. Indicateur rouge 2. Bouton 3. Batterie

⚠ ATTENTION : Installez toujours la batterie à fond jusqu'à ce que vous ne puissiez plus voir l'indicateur rouge. Autrement elle risque de tomber accidentellement de l'outil et d'entraîner des blessures.

⚠ ATTENTION : Ne forcez pas sur la batterie pour l'installer. Si la batterie ne glisse pas facilement, c'est qu'elle n'est pas insérée correctement.

NOTE : Jusqu'à deux batteries peuvent être installées, même si l'appareil n'en utilise qu'une seule pour son fonctionnement.

Si vous installez deux batteries, l'appareil utilise d'abord la batterie du côté droit dans la figure.

Utilisation de base

Mise sous/hors tension de l'appareil

Appuyez sur le bouton d'alimentation pour allumer l'appareil avec un bip. Après avoir démarré l'appareil, le panneau de commande affiche une puissance hyperfréquence de 500 W, un temps de fonctionnement de 0 et des renseignements sur la charge de la batterie par défaut, et tous les voyants de bouton sont allumés. S'il n'y a aucune autre opération dans les 3 minutes, il s'éteint automatiquement et l'écran ainsi que les voyants de bouton s'éteignent pour entrer en mode d'alimentation éteint.

Après la mise sous tension, appuyez sur le bouton d'alimentation pour procéder à l'extinction dans n'importe quel état, y compris le chauffage.

Opération de chauffage

Il y a deux niveaux de puissance de chauffage; 500 W et 350 W.

Appuyez sur le bouton de sélection de la puissance pour basculer entre 500 W et 350 W. Le panneau de commande affiche le niveau correspondant.

Une fois que la puissance est sélectionnée, tournez le cadran de réglage du temps dans le sens des aiguilles d'une montre pour augmenter le temps et dans le sens contraire des aiguilles d'une montre pour diminuer le temps. Le réglage de temps maximum est de 20 minutes.

Après avoir sélectionné le niveau de puissance et le temps, appuyez brièvement sur le bouton de démarrage pour démarrer le chauffage du micro-ondes. Lorsque le chauffage est terminé, un bip se fait entendre pour indiquer la fin de l'opération.

Une fois le chauffage du micro-ondes commencé, appuyez brièvement sur le bouton de mise en pause/arrêt pour mettre en pause le chauffage.

Appuyez brièvement sur le bouton de démarrage pour reprendre le fonctionnement pendant une pause.

Appuyez brièvement sur le bouton de mise en pause/arrêt pour sortir du fonctionnement pendant une pause. Le temps restant est réinitialisé et l'appareil passe en mode d'attente.

AVIS : Ne répétez pas le retrait des batteries immédiatement après le fonctionnement. Le faire plusieurs fois ne cause pas une défaillance, mais une erreur peut cependant se produire si cela se poursuit.

Cet appareil est équipé d'un ventilateur de refroidissement.






Le ventilateur de refroidissement peut fonctionner pour refroidir l'appareil après le fonctionnement. Il est possible d'entendre un son d'air lorsque le ventilateur de refroidissement fonctionne. Il ne s'agit pas d'une défaillance de l'appareil.

NOTE : Il est possible d'ajuster le temps de chauffage pendant le chauffage.

NOTE : La puissance de sortie ne peut pas être modifiée pendant le chauffage.

État de charge

Le nombre de barres dans les voyants de batterie du panneau de commande montre la charge restante de la batterie.

Voyants de batterie	Charge restante
	La puissance restante équivaut à 75 % ou plus.
	La puissance restante équivaut à 50 % ou plus et à moins de 75 %.
	La puissance restante équivaut à 25 % ou plus et à moins de 50 %.
	La puissance restante est inférieure à 25 %.
 Clignotant	Chargez la batterie. *

* Même s'il reste une charge dans la batterie, il est possible que le panneau de commande clignote pour demander la charge. Il ne s'agit pas d'une défaillance de l'appareil.

Il pourrait être impossible d'utiliser certaines batteries lorsque leur charge tombe sous un certain niveau en raison de leurs spécifications.

Opération appliquée

Conseils de cuisson

Les facteurs suivants peuvent avoir un impact sur le résultat des cuissons :

Disposition des aliments

Mettez les zones plus épaisses vers l'extérieur du plat, la partie plus mince vers le centre et répartissez le tout de façon égale. Si possible, évitez les chevauchements.

Longueur du temps de cuisson

Commencez la cuisson avec un réglage de temps court, évaluez-le une fois écoulé et rallongez-le selon le besoin réel. Une cuisson excessive peut entraîner de la fumée et des parties brûlées.

Cuire les aliments de façon égale

Les aliments, comme le poulet, les hamburgers ou les biftecks, doivent être retournés une fois pendant la cuisson. Selon le type d'aliment, le cas échéant, mélangez-le depuis l'extérieur vers le centre du plat une ou deux fois pendant la cuisson.

Déterminer si les aliments sont prêts

La couleur et la fermeté des aliments aident à déterminer s'ils sont prêts. Voici des éléments à prendre en compte :

- De la vapeur sortant de toutes les parties des aliments, non seulement des bords
- Les articulations de la volaille peuvent aisément être déplacées
- Le porc ou la volaille ne montre aucune trace de sang
- Le poisson est opaque et peut être rompu aisément avec une fourchette

Plat brunisseur

Lors de l'utilisation d'un plat brunisseur ou d'un contenant autochauffant, placez toujours un isolant résistant à la chaleur, comme une assiette en porcelaine en dessous pour éviter d'endommager l'appareil.

Pellicule en plastique utilisable au micro-ondes

Lorsque vous cuisinez un aliment à forte teneur en gras, ne laissez pas la pellicule plastique entrer en contact avec l'aliment, car elle pourrait fondre.

Ustensile de cuisine en plastique utilisable au micro-ondes

Certains ustensiles de cuisine en plastique utilisables au micro-ondes pourraient ne pas être adéquats pour cuire des aliments à haute teneur en gras ou en sucre. De plus, il ne faut pas dépasser le temps de préchauffage spécifié dans le manuel d'instruction.

USB

Sortie USB 5 VCC Max. 2,4A, identification automatique.

Le port de sortie USB peut être utilisé pour charger un téléphone mobile lorsque l'appareil est allumé. Pendant le processus de charge, l'appareil ne s'éteindra pas automatiquement. Si vous utilisez un appareil USB à faible courant, l'appareil s'éteindra automatiquement. Une fois la charge terminée, l'appareil s'éteindra s'il n'est pas utilisé pendant 3 minutes.

AVIS : Connectez uniquement des appareils qui sont compatibles avec le port d'alimentation USB.

Dans le cas contraire, cela pourrait être la cause d'une défaillance de l'appareil.

AVIS : Ne connectez pas le port d'alimentation USB de cet appareil à la borne USB de votre ordinateur. Cela peut entraîner un dysfonctionnement.

AVIS : Avant de connecter l'appareil USB à l'appareil, faites toujours une copie de sauvegarde des données de l'appareil USB. Autrement vous risquez éventuellement de perdre vos données.

AVIS : Lorsque vous n'utilisez pas d'appareils, ou après la charge, retirez le câble USB et mettez le couvercle.

Nettoyage

⚠ MISE EN GARDE : Avant le nettoyage, assurez-vous toujours que l'appareil est éteint et que la batterie est retirée.

⚠ MISE EN GARDE : N'immergez pas l'appareil dans l'eau ou d'autres fluides lors du nettoyage.

⚠ ATTENTION : Ne touchez pas l'appareil immédiatement après l'opération. Attendez jusqu'à ce que l'appareil se soit refroidi complètement. Dans le cas contraire, une blessure par brûlure pourrait survenir.

⚠ ATTENTION : Ne retirez pas la maille de la porte du four.

AVIS : L'appareil doit être nettoyé régulièrement et tout dépôt de nourriture doit être retiré. Si l'appareil n'est pas maintenu propre, cela pourrait entraîner la détérioration de la surface, ce qui pourrait avoir une incidence négative sur la durée de vie de l'appareil.

AVIS : Utilisez seulement du savon ou du détergent doux non abrasif appliqué avec une éponge ou un chiffon doux. N'utilisez jamais de poudre abrasive ou de brosse métallique pour nettoyer toute partie de l'appareil.

Après l'utilisation, essuyez la maille de porte de four avec un chiffon humide, puis avec un chiffon sec pour retirer toute éclaboussure de nourriture et graisse. La graisse accumulée peut surchauffer et commencer à générer de la fumée ou prendre en feu.

Lorsque l'appareil est utilisé depuis longtemps, il peut y avoir des odeurs étranges dans le four. Il est possible de s'en débarrasser à l'aide de l'une des méthodes suivantes :

- Placez plusieurs tranches de citron dans une tasse, puis chauffez-les à 500 W pendant 2 à 3 minutes.
- Mettez une coupe de thé rouge dans le four, puis chauffez à 500 W pendant 2 à 3 minutes.
- Mettez quelques pelures d'orange dans le four, puis chauffez-les à 500 W pendant 1 minute.

Comment nettoyer le filtre-éponge :

Nettoyez le filtre-éponge une fois par mois à l'aide de la procédure suivante :

1. Ouvrez le couvercle de filtre. Retirez le filtre-éponge et enlevez la poussière.
2. Essuyez la surface et l'intérieur du couvercle de filtre à l'aide d'un chiffon propre.

3. Lavez le filtre-éponge dans l'eau et séchez-le bien ou soufflez les particules diverses et la poussière absorbées dans le filtre-éponge à l'aide d'un aspirateur pneumatique. Lorsque le filtre-éponge est endommagé et ne peut être nettoyé, remplacez-le ponctuellement.

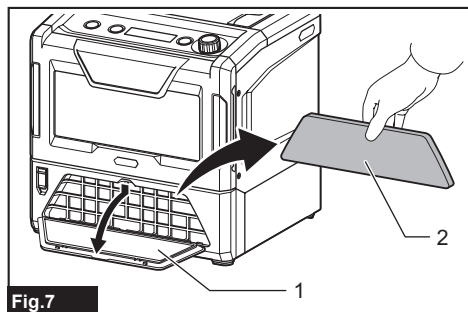


Fig.7

► 1. Couvercle de filtre 2. Filtre-éponge

Rangement

Lorsque l'appareil n'est pas en cours d'utilisation, placez-le à l'intérieur et dans un endroit ventilé.

ENTRETIEN et INSPECTION

Entretien

⚠ MISE EN GARDE : RAYONNEMENT HYPERFRÉQUENCE

Retirez la batterie avant l'entretien. Il existe un rayonnement hyperfréquence et une haute tension dans le four à micro-ondes. Le condensateur haute tension a encore une tension dangereuse dans les 30 secondes suivant la coupure de l'alimentation. Il est nécessaire d'utiliser un outil avec une poignée isolée pour court-circuiter et décharger la borne de condensateur avec l'enveloppe. **Pour éviter de blesser une personne, il est strictement interdit de désassembler et de réparer par vous-même; seul un technicien de réparation peut le faire.**

⚠ **ATTENTION** : Assurez-vous toujours que l'appareil est éteint et débranché, et que la batterie est retirée avant d'y effectuer tout travail d'inspection ou d'entretien.

AVIS : N'utilisez jamais d'essence, de benzène, de solvant, d'alcool ou autres produits similaires. Une décoloration, une déformation ou la formation de fissures peuvent en découler.

Pour maintenir la SÉCURITÉ et la FIABILITÉ du produit, les réparations et tout autre travail d'entretien ou de réglage doivent être effectués dans un centre de service après-vente autorisé ou une usine Makita, exclusivement avec des pièces de rechange Makita.

Code d'erreur

Lorsque l'appareil détecte une défaillance, le panneau de commande affiche le code de défaillance correspondant comme suit :

Code d'erreur	Problème
F01	L'appareil est à un angle supérieur à 30 degrés environ par rapport à un angle au niveau. Assurez-vous que l'appareil est positionné horizontalement.
F02	Surintensité. Procédez à l'arrêt et au redémarrage après avoir remplacé la batterie.
F03	Sur tension. Procédez à l'arrêt et au redémarrage après avoir remplacé la batterie.
F04	Température excessive. Laissez l'appareil inactif pendant un certain temps et redémarrez-le une fois qu'il s'est refroidi.
F05	Défaillance du ventilateur à l'intérieur de l'appareil. Éteignez l'appareil et redémarrez-le.
F06	Défaillance du magnétron à l'intérieur de l'appareil. Éteignez l'appareil et redémarrez-le.
F07	Défaillance de la mise sous tension interne. Éteignez l'appareil et redémarrez-le.
F09	La fonction de protection de l'ouverture et la fermeture de porte pourrait être active. Consultez la section sur la fonction de protection de l'ouverture et la fermeture de porte. S'il n'y a toujours pas d'amélioration concernant l'erreur, éteignez l'appareil et redémarrez-le.

Si l'erreur ne s'améliore toujours pas, amenez l'appareil à un centre de service d'usine ou autorisé Makita.

Entretien/réparation

Vérifiez si l'appareil fonctionne correctement ou non en réalisant ce qui suit :

Placez une tasse d'eau dans un verre résistant à la chaleur (approx. 150 ml) dans la cavité et fermez la porte complètement. Laissez l'appareil fonctionner pendant 1 min.

- Est-ce que la lampe à l'intérieur de la cavité s'allume?
- Est-ce que l'eau à l'intérieur de la cavité devient chaude?

Si la réponse est « NON » à n'importe laquelle des questions ci-dessus, l'appareil a un ou des problèmes à l'intérieur. Demandez à un centre de service d'usine ou autorisé Makita pour obtenir une réparation.

Mise au rebut

⚠ **MISE EN GARDE** : Mettez l'appareil au rebut de la façon appropriée. La mise au rebut de l'appareil doit être réalisée conformément aux règlements régionaux.

ACCESSOIRES EN OPTION

⚠ ATTENTION : Ces accessoires ou pièces complémentaires sont recommandés pour l'utilisation avec l'appareil Makita spécifié dans ce manuel. L'utilisation de tout autre accessoire ou pièce complémentaire peut comporter un risque de blessure. N'utilisez les accessoires ou pièces complémentaires qu'aux fins auxquelles ils ont été conçus.

Si vous désirez obtenir plus de détails sur ces accessoires, veuillez contacter le centre de service après-vente Makita le plus près.

- Batterie d'origine Makita et chargeur autorisé Makita
- Sangle d'épaule

NOTE : Certains éléments de la liste peuvent être inclus avec l'outil comme accessoires standards. Ils peuvent varier suivant les pays.

GARANTIE LIMITÉE MAKITA

Pour les conditions de garantie en vigueur qui s'appliquent à ce produit, veuillez vous reporter à la feuille de garantie en annexe. Si la feuille de garantie en annexe n'est pas disponible, reportez-vous aux détails de la garantie présentés sur le site Web de votre pays, ci-dessous.

États-Unis d'Amérique: www.makitatools.com

Canada: www.makita.ca

Autres pays: www.makita.com

INSTRUCCIONES IMPORTANTES DE SEGURIDAD LEA CUIDADOSAMENTE Y CONSERVE PARA FUTURAS CONSULTAS

INTRODUCCIÓN

Especificaciones

Modelo:		MW001G
Tensión nominal		36 V - 40 V c.c. máx.
Potencia del microondas		500 W * / 350 W
Dimensiones (An x La x Al)	Dimensiones externas	343 mm x 318 mm x 338 mm (13-1/2" x 12-1/2" x 13-1/4") (Sin cartucho de batería) (Con el asa en la posición guardada)
	Cavidad	255 mm x 241 mm x 120 mm (10" x 9-1/2" x 4-3/4")
Capacidad		8 L
Frecuencia de operación		2 450 MHz
Peso neto		8,9 kg (19,6 lbs) (Sin cartucho de batería)
Puerto USB de alimentación eléctrica		Tipo A / voltaje de salida c.c. 5 V / Corriente de salida c.c. 2,4 A (Máx.)

- * La potencia del microondas de 500W es la función de potencia temporal. Se cambia automáticamente a una potencia del microondas de 350W después de alrededor de 8 minutos.
- Debido a nuestro continuo programa de investigación y desarrollo, las especificaciones aquí incluidas están sujetas a cambio sin previo aviso.
- Las especificaciones pueden variar de país a país.

Cartucho de batería y cargador aplicables

Cartucho de batería	BL4020 / BL4025 / BL4040 / BL4050F / BL4080F
Cargador	DC40RA / DC40RB / DC40RC

- Algunos de los cartuchos de batería y cargadores enumerados arriba podrían no estar disponibles dependiendo de su área de residencia.

⚠ ADVERTENCIA: Use únicamente los cartuchos de batería y los cargadores indicados arriba. El uso de cualquier otro cartucho de batería y cargador podría ocasionar una lesión y/o un incendio.

Fuente de alimentación conectada por cable recomendada

Unidad portátil de alimentación eléctrica	PDC1200
---	---------

- La o las fuentes de alimentación conectadas por cable enumeradas arriba podrían no estar disponibles dependiendo de su área de residencia.
- Antes de utilizar la fuente de alimentación conectada por cable, lea las instrucciones e indicaciones de precaución sobre ellas.

Tiempo de operación calculado

Cartucho de batería (completamente cargado)	500 W	350 W
BL4020 x 2	6 min	11 min
BL4025 x 2	8 min	14 min
BL4040 x 2	15 min	21 min
BL4050F x 2	22 min	30 min
BL4080F x 2	35 min	48 min
PDC1200	84 min	113 min

NOTA: Los valores son aproximados y pueden variar en función del estado de la carga y la condición de uso.

NOTA: El tiempo de funcionamiento estimado con una batería es aproximadamente la mitad del período cuando se utilizan dos baterías.

INSTRUCCIONES IMPORTANTES DE SEGURIDAD

Al usar aparatos eléctricos, deben seguirse las precauciones básicas de seguridad, incluyendo las siguientes:

ADVERTENCIA

Para reducir el riesgo de quemaduras, descargas eléctricas, incendios, lesiones personales o exposición a energía de microondas excesiva:

1. Lea todas las instrucciones antes de usar el aparato.
2. Lea y siga las "PRECAUCIONES PARA EVITAR LA POSIBLE EXPOSICIÓN A ENERGÍA EXCESIVA DE MICROONDAS" específicas que se encuentran en la sección.
3. Instale o ubique este aparato solamente de acuerdo con las instrucciones de instalación provistas.
4. Algunos productos, como huevos enteros y recipientes sellados, por ejemplo, frascos de vidrio cerrados, podrían explotar y no deben calentarse en este horno.
5. Use este aparato solo para el uso previsto como se describe en el manual. No utilice productos químicos o vapores corrosivos en este aparato. Este tipo de horno está diseñado específicamente para calentar, cocinar o secar alimentos. No está diseñado para uso industrial o de laboratorio.

6. Como con cualquier aparato, es necesaria una estrecha supervisión cuando lo usan niños.
7. Este aparato debe ser reparado únicamente por personal de servicio calificado. Comuníquese con el centro de servicio autorizado más cercano para que examinen, reparen o ajusten el aparato.
8. No cubra ni bloquee ninguna abertura del aparato.
9. No almacene este aparato al aire libre. No utilice este producto cerca del agua, por ejemplo, cerca de un fregadero, en un sótano húmedo, cerca de una piscina o lugares similares.
10. Cuando limpie las superficies de la puerta y el horno que se juntan al cerrar la puerta, use solo jabones suaves y no abrasivos, o detergentes aplicados con una esponja o un paño suave.
11. Para reducir el riesgo de incendio en la cavidad del horno:
 - a. No sobrecocine los alimentos. Preste especial atención al aparato cuando se coloque papel, plástico u otros materiales combustibles dentro del horno para facilitar la cocción.
 - b. Retire las ataduras de alambre de las bolsas de papel o plástico antes de colocar bolsas en el horno.
 - c. Si los materiales dentro del horno se encienden, mantenga la puerta del horno cerrada, apáguelo y desconecte el cable de alimentación, o desconecte la alimentación en el panel de fusibles o disyuntor.

- d No utilice la cavidad con fines de almacenamiento. No deje los productos de papel, utensilios de cocina o alimentos en la cavidad cuando no esté en uso.
12. Los líquidos, como el agua, el café o el té, pueden sobrecalentarse más allá del punto de ebullición sin que parezca que están hirviendo. No siempre hay burbujas o ebullición visibles cuando se retira el recipiente del horno de microondas. **ESTO PODRÍA DAR LUGAR A LÍQUIDOS MUY CALIENTES QUE HIERVEN REPENTINAMENTE CUANDO SE MUEVE EL RECIPIENTE O SE INTRODUCE UN UTENSILIO EN EL LÍQUIDO.**
 13. No mueva el aparato durante el funcionamiento.
 14. **NO lo use bajo la lluvia.**
 15. Para reducir el riesgo de choque eléctrico, no ponga el horno de microondas en el agua o en otro líquido. No coloque o almacene el producto en donde pueda caerse o caer dentro de una tina o lavabo.
 16. Este dispositivo cumple con la parte 18 de las normas de la FCC.
- b) No coloque ningún objeto entre la cara frontal del horno y la puerta, ni permita que se acumule suciedad o residuos de limpiador en las superficies de sellado.
 - c) No haga funcionar el horno si está dañado. Es particularmente importante que la puerta del horno cierre correctamente y que no haya daños en:
 - (1) la puerta (doblada),
 - (2) bisagras y pestillos (rotos o sueltos),
 - (3) sellos de puertas y superficies de sellado.
 - d) El horno no debe ser ajustado ni reparado por nadie, excepto por personal de servicio debidamente calificado.

⚠ADVERTENCIA: Lea todas las advertencias de seguridad e instrucciones. El no seguir las advertencias e instrucciones podrá ocasionar descargas eléctricas, incendios y/o lesiones graves.

Salvaguardas importantes

PRECAUCIONES PARA EVITAR LA POSIBLE EXPOSICIÓN A ENERGÍA DE MICROONDAS EXCESIVA

- a) No intente operar este horno con la puerta abierta, ya que la operación con la puerta abierta podría resultar en una exposición dañina a la energía de microondas. Es importante no anular ni alterar los interbloques de seguridad.
1. No se siente ni pise el aparato. No coloque objetos sobre el aparato.
 2. Este aparato puede ser utilizado por niños mayores de 8 años y por personas con capacidades físicas, sensoriales o mentales reducidas o con falta de experiencia y conocimientos, si se les supervisa o se les enseña el uso seguro del aparato y entienden los peligros que comporta.
 3. Los niños no deben jugar con el aparato.
 4. Cuando no haya alimentos en la cavidad, no utilice el aparato. De lo contrario, el aparato podría dañarse.
 5. No perforo la rejilla de la puerta del horno. De lo contrario, ocasionará fugas del microondas.
 6. No opere el aparato en espacios cerrados como armarios.
 7. Coloque el aparato sobre una superficie nivelada y plana.
 8. No opere el aparato mientras está suspendido. No use el asa para otro propósito que no sea el transportar el aparato.
 9. Retire la batería cuando transporte el aparato.
 10. No utilice el aparato en la lluvia. No moje el aparato. Si el aparato se expone al agua, haga que lo revise nuestro departamento de posventa.

11. Si el aparato sufre un impacto o se cae, envíe el aparato a nuestro departamento de posventa para su inspección y mantenimiento a tiempo.
12. Está prohibido calentar materiales inflamables y explosivos, especialmente hielo seco.
13. Utilice únicamente utensilios que sean aptos para su uso en hornos de microondas.
14. No se permiten recipientes metálicos para alimentos y bebidas durante la cocción con microondas.
15. El contenido de los biberones y los tarros de comida para bebés se debe revolver o sacudir y se debe verificar la temperatura antes de su consumo, para evitar quemaduras.
16. No coloque productos inflamables y combustibles cerca del aparato.
17. Durante el funcionamiento del aparato, vigile las condiciones de cocción del horno de microondas en todo momento. Establezca el tiempo de cocción correcto. El sobretiempo de cocción podría causar un incendio.
18. En el proceso de cocción de alimentos de carga ligera con menos contenido de agua, debido a la diferente capacidad de absorción de microondas de diferentes sustancias, podría haber frío y calor desiguales. Esto es un fenómeno normal.
19. Pequeñas cantidades de alimento(s) con bajo contenido de humedad podrían secarse, quemarse o incendiarse si se sobrecalientan.
20. No seque ropa, periódicos u otros materiales en el horno de microondas, ni utilice periódicos o bolsas de papel para cocinar.
21. El calentamiento de bebidas por microondas puede provocar una ebullición eruptiva retardada, por lo que se debe tener cuidado al manipular el recipiente.
22. No utilice herramientas afiladas (como pelotas de limpieza, palas, cucharas, etc.) para limpiar la cavidad.
23. No mantener el horno en condiciones limpias podría provocar el deterioro de la superficie. Esto podría afectar negativamente la vida útil del aparato, y posiblemente resultar en una situación peligrosa.
24. El aparato no debe limpiarse con un limpiador a vapor.
2. Desconecte el paquete de baterías del aparato antes de hacer cualquier ajuste, cambiar accesorios o almacenar el aparato. Estas medidas de seguridad preventivas reducen el riesgo de poner en marcha el aparato accidentalmente.
3. Recargue sólo con el cargador especificado por el fabricante. Un cargador que es adecuado para un solo tipo de batería puede generar riesgo de incendio al ser utilizado con otra batería.
4. Use los aparatos únicamente con los paquetes de baterías designados específicamente para ellos. El uso de cualquier otro paquete de batería podría generar riesgo de lesión e incendio.
5. Cuando no se esté usando la batería, manténgala alejada de otros objetos metálicos, como sujetapapeles (clips), monedas, llaves, clavos, tornillos u otros objetos pequeños de metal los cuales pueden actuar creando una conexión entre las terminales de la batería. Originar un cortocircuito en las terminales puede causar quemaduras o incendios.
6. En condiciones abusivas, podrá escapar líquido de la batería; evite tocarlo. Si lo toca accidentalmente, enjuague con agua. Si hay contacto del líquido con los ojos, busque asistencia médica. Puede que el líquido expulsado de la batería cause irritación o quemaduras.
7. No utilice un paquete de baterías o aparato que esté dañado o haya sido modificado. Las baterías dañadas o modificadas pueden comportarse impredeciblemente provocando un incendio, explosión o riesgo de lesión.
8. No exponga un paquete de baterías o aparato al fuego o a una temperatura excesiva. La exposición al fuego o una temperatura superior a 130 °C podría causar una explosión.
9. Siga todas las instrucciones relativas a la carga y no cargue el paquete de baterías o el aparato fuera del rango de temperatura especificado en las instrucciones. Realizar la carga de manera inapropiada o a temperaturas fuera del rango especificado podría dañar la batería e incrementar el riesgo de incendio.
10. Pida que el servicio lo realice un técnico en reparaciones calificado y que utilice únicamente piezas de repuesto idénticas a las originales. Esto garantizará que se mantenga la seguridad del producto.
11. No modifique ni intente reparar el aparato ni el paquete de baterías salvo como se indique en las instrucciones para el uso y cuidado.

Advertencias de seguridad para el aparato con funcionamiento a baterías

Uso y cuidado del aparato con funcionamiento a baterías

1. Evite un arranque accidental. Asegúrese de que el interruptor esté en la posición apagada antes de conectar el paquete de baterías, levantar el aparato o cargarlo. Cargar el aparato con su dedo en el interruptor o pasar energía al aparato con el interruptor encendido puede propiciar accidentes.

Instrucciones importantes de seguridad para el cartucho de batería

1. Antes de utilizar el cartucho de batería, lea todas las instrucciones e indicaciones de precaución en el (1) el cargador de batería, (2) la batería, y (3) el producto con el que se utiliza la batería.
2. No desarme ni modifique el cartucho de batería. Podría ocurrir un incendio, calor excesivo o una explosión.
3. Si el tiempo de operación se ha acortado en exceso, deje de operar de inmediato. Podría correrse el riesgo de sobrecalentamiento, posibles quemaduras e incluso explosión.

4. En caso de que ingresen electrolitos en sus ojos, enjuáguelos bien con agua limpia y consulte de inmediato a un médico. Esto podría ocasionar pérdida de visión.
5. Evite cortocircuitar el cartucho de batería:
 - (1) No toque las terminales con ningún material conductor.
 - (2) Evite guardar el cartucho de batería en un cajón junto con otros objetos metálicos, tales como clavos, monedas, etc.
 - (3) No exponga el cartucho de batería al agua o la lluvia.

Un cortocircuito en la batería puede causar un flujo grande de corriente, sobrecalentamiento, posibles quemaduras e incluso una descompostura.
6. No guarde y use el aparato ni el cartucho de batería en lugares donde la temperatura pueda alcanzar o exceder los 50°C (122°F).
7. Nunca incinere el cartucho de batería incluso en el caso de que esté dañado seriamente o ya no sirva en absoluto. El cartucho de batería puede explotar si se tira al fuego.
8. No clave, corte, aplaste, lance o deje caer el cartucho de batería, ni golpee un objeto sólido contra el cartucho de batería. Dicha acción podría resultar en un incendio, calor excesivo o en una explosión.
9. No use una batería dañada.
10. Nunca dé servicio a baterías que estén dañadas. El servicio a las baterías solamente deberá ser efectuado por el fabricante o un agente de servicio autorizado.
11. Las baterías de ión de litio están sujetas a los requisitos reglamentarios en materia de bienes peligrosos.

Para el transporte comercial, por ej., mediante terceros o agentes de transporte, se deben tomar en cuenta los requisitos especiales relativos al empaque y el etiquetado.

Para efectuar los preparativos del artículo que se va a enviar, se requiere consultar a un experto en materiales peligrosos. Si es posible, consulte además otras regulaciones nacionales más detalladas.

Pegue o cubra con cinta adhesiva los contactos abiertos y empaque la batería de manera que ésta no pueda moverse dentro del paquete.
12. Para deshacerse del cartucho de batería, sáquelo del aparato y deséchelo en un lugar seguro. Siga las regulaciones locales relacionadas al desecho de las baterías.
13. Utilice las baterías únicamente con los productos especificados por Makita. Instalar las baterías en productos que no cumplan con los requisitos podría ocasionar un incendio, un calentamiento excesivo, una explosión o una fuga de electrolito.
14. Si no se utiliza el aparato por un período largo, debe extraerse la batería del aparato.
15. El cartucho de batería podría absorber calor durante y después de su uso, lo que ocasionaría quemaduras o quemaduras a baja temperatura. Tenga cuidado con la manipulación de los cartuchos de batería que estén calientes.
16. No toque el terminal del aparato inmediatamente después de su uso, ya que el mismo podría estar lo suficientemente caliente como para provocarle quemaduras.
17. No permita que las rebabas, el polvo o la tierra queden atrapados en los terminales, orificios y ranuras del cartucho de batería. Esto podría ocasionar un desempeño deficiente o descompostura del aparato o del cartucho de batería.
18. No utilice el cartucho de batería cerca de cables eléctricos de alto voltaje, a menos que el aparato sea compatible con el uso cercano a estos cables eléctricos de alto voltaje. Esto podría ocasionar una avería o descompostura del aparato o del cartucho de batería.
19. Mantenga la batería alejada de los niños.

GUARDE ESTAS INSTRUCCIONES.

⚠PRECAUCIÓN: Utilice únicamente baterías originales de Makita. El uso de baterías no originales de Makita, o de baterías alteradas, puede ocasionar que las baterías exploten causando un incendio, lesiones personales y daños. Asimismo, esto invalidará la garantía de Makita para el aparato y el cargador Makita.

Consejos para alargar al máximo la vida útil de la batería

1. Cargue el cartucho de batería antes de que se descargue completamente. Pare siempre la operación del aparato y cargue el cartucho de batería cuando note menos potencia en el aparato.
2. No cargue nunca un cartucho de batería que esté completamente cargado. La sobrecarga acortará la vida de servicio de la batería.
3. Cargue el cartucho de batería a una temperatura ambiente de 10 °C - 40 °C (50 °F - 104 °F). Si un cartucho de batería está caliente, déjelo enfriar antes de cargarlo.
4. Cuando no utilice el cartucho de batería, sáquelo del aparato o del cargador.
5. Cargue el cartucho de batería si no va a utilizarlo durante un período prolongado (más de seis meses).

Descripción de las piezas

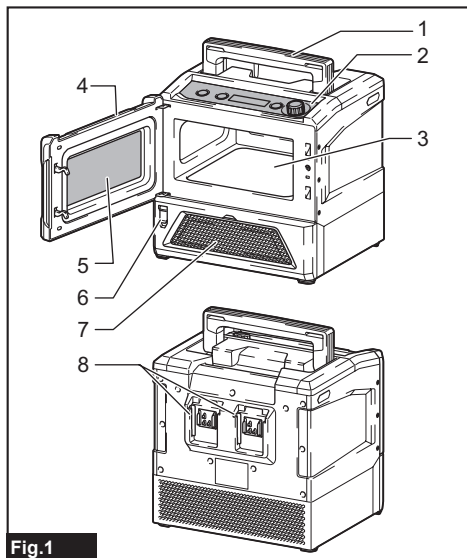


Fig.1

1. **Asa**
2. **Panel de control**
Consulte la descripción a continuación para más detalles.
3. **Cavidad**
4. **Puerta**
El aparato debe funcionar con la puerta cerrada.
5. **Rejilla de la puerta del horno**
6. **Cubierta del puerto USB**
7. **Cubierta del filtro**
8. **Terminal de batería**

Panel de control

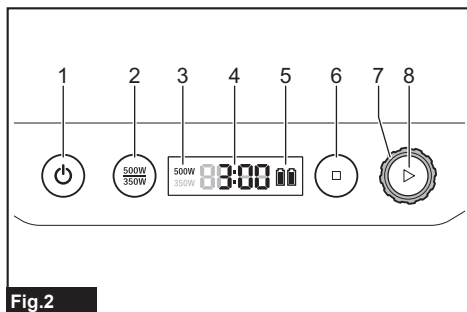


Fig.2

1. **Botón del interruptor de alimentación**
2. **Botón de selección de alimentación**
3. **Potencia del microondas**
4. **Tiempo de funcionamiento / Código de error**
5. **Indicador de batería**
6. **Botón de pausa/parada**
7. **Selector de ajuste de tiempo**
8. **Botón de arranque**

Sonido de pitido

- **Cuando finaliza la operación de calentado:**
 - 2 segundos del sonido de pitido. El pitido se cancelará si abre la puerta.
 - “bip, bip, bip” (una vez cada 1 segundo) suena cada 1 minuto si no hay operación.
 - el aparato se apaga sin ningún sonido si no se realiza ninguna operación durante 3 minutos.
- **Cuando la capacidad restante de la batería es baja:**
Se oye el sonido “bip, bip, bip”, “bip, bip, bip”, “bip, bip, bip”.
- **Cuando se muestra el código de error:**
Se oye un “bip” corto.

Modo silencioso

Después de encender, mantenga presionados los botones “PARO” y “ARRANQUE” al mismo tiempo hasta que se muestre “OFF (Apagado)” para ingresar al modo silencioso. Todos los tonos de indicación se apagan. En el modo silencioso, mantenga presionados los botones “PARO” y “ARRANQUE” al mismo tiempo hasta que se muestre “ON (Encendido)” para salir del modo silencioso. Todos los tonos de indicación se restablecen.

Código de error

Cuando el aparato detecta una falla, el panel de control mostrará el código de error correspondiente. Consulte la sección para el código de error.

Símbolos

A continuación se muestran los símbolos que pueden ser utilizados para el equipo. Asegúrese de que entienda su significado antes de utilizar.

v volts o voltios

— corriente directa o continua



Advertencia: Superficie caliente. Riesgo de quemaduras. No la toque hasta que se haya enfriado.

PREPARACIÓN

PRECAUCIÓN: Asegúrese siempre de que el aparato esté apagado y que el cartucho de la batería haya sido extraído antes de realizar cualquier ajuste o revisión del funcionamiento del aparato.

Instalación

ADVERTENCIA: Instale o ubique este aparato de acuerdo con las instrucciones de instalación provistas.

1. Quite todo el empaque. Verifique cuidadosamente que no haya daños. En su caso, notifique inmediatamente al distribuidor, o envíelo a nuestro departamento de posventa.

2. Coloque el aparato.

- El aparato debe colocarse en ambientes secos y no corrosivos, alejado del calor y la humedad, como un quemador de gas o un tanque de agua.

- Para garantizar una ventilación suficiente, la distancia entre la parte posterior del horno de microondas y la pared debe ser de al menos 10 cm (3-15/16"), entre el costado y la pared debe ser de al menos 2 cm (13/16").

- Mantenga un espacio de al menos 2 metros (78-3/4") entre el horno de microondas y el televisor, la radio y la antena, ya que pueden producirse interferencias en la imagen o ruido.

- Para levantar el asa, recomendamos mantener la distancia libre por encima de la superficie superior de al menos 10 cm (3-15/16").

- El horno de microondas no debe operarse en espacios cerrados como un armario. El horno de microondas está diseñado para usarse autosostenido.

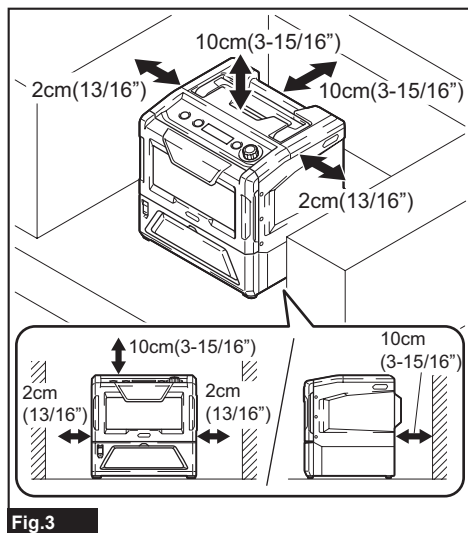


Fig.3

NOTA: Cuando utilice el aparato por primera vez, es posible que este desprenda olor o un ligero humo. La causa son residuos de fabricación o restos de aceite en la cavidad o el elemento térmico. Esto es normal, y desaparecerá después de unos cuantos usos. Mantenga la puerta o ventana abiertas para que se ventile bien. Se recomienda encarecidamente colocar una taza de agua en la cavidad, configurarla a 500 W y poner el horno en funcionamiento varias veces.

Cartucho de batería

Indicación de la capacidad restante de la batería

Oprima el botón de verificación en el cartucho de la batería para que indique la capacidad restante de la batería. Las luces indicadoras se iluminarán por algunos segundos.

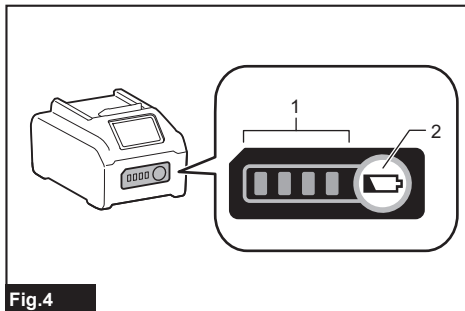


Fig.4

► 1. Luces indicadoras 2. Botón de verificación

Luces indicadoras			Capacidad restante
Iluminadas	Apagadas	Parpadeando	
■ ■ ■ ■			75% a 100%
■ ■ ■ □			50% a 75%
■ ■ □ □			25% a 50%
■ □ □ □			0% a 25%
▣ □ □ □			Cargar la batería.
■ ■ □ □			La batería pudo haber funcionado mal.
□ □ ■ ■			

NOTA: Dependiendo de las condiciones de uso y la temperatura ambiente, la indicación podrá diferir ligeramente de la capacidad real.

NOTA: La primera luz indicadora (extrema izquierda) parpadeará cuando el sistema de protección de batería esté en funcionamiento.

Lineamientos para los utensilios

⚠️ PRECAUCIÓN: Nunca use los recipientes de metal para cocinar con microondas y cocinar combinados, ya que es probable que se produzcan chispas.

Se recomienda encarecidamente utilizar recipientes que sean adecuados y seguros para cocinar en microondas. En términos generales, los recipientes que están hechos de cerámica, vidrio o plástico resistente al calor son adecuados para cocinar en microondas. Puede usar como referencia la tabla a continuación.

Material del recipiente	Microondas	Notas
Cerámica resistente al calor	Sí	Nunca utilice cerámicas que estén decoradas con bordes de metal o esmaltadas.
Plástico resistente al calor	Sí	No se puede utilizar para cocinar en microondas durante mucho tiempo.
Vidrio resistente al calor	Sí	-
Parrilla	No	-
Película de plástico	Sí	No debe usarse para cocinar carne o chuletas, ya que el exceso de temperatura podría dañar la película.

Colocación de la correa para hombro

Accesorio opcional

⚠️ PRECAUCIÓN: Asegúrese de que la correa para hombro esté bien sujeta. De lo contrario, podría ocurrir un accidente por caída.

1. Pase la correa por los dos orificios del asa.
2. Asegure la correa.

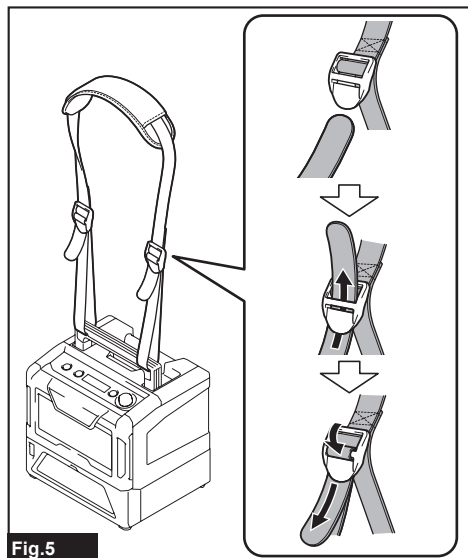


Fig.5

Sistema de protección del aparato/batería

El aparato y la batería están equipados con el sistema de protección. Este sistema corta automáticamente la alimentación al motor para prolongar la vida del aparato y la batería. El aparato se detendrá automáticamente durante la operación si el aparato o la batería se someten a una de las siguientes condiciones.

- Protección contra sobrecarga: Cuando el aparato o la batería se están utilizando de manera que causa que consuma una cantidad de corriente inusualmente alta, el aparato se detiene automáticamente sin que haya indicación alguna. En esta situación, apague el aparato y detenga la aplicación que haya causado que el aparato se sobrecargara. Luego, encienda el aparato para volver a arrancarlo.
- Protección contra sobrecalentamiento: Cuando el aparato o la batería se sobrecalienten, el aparato se detiene automáticamente. Deje que el aparato se enfríe antes de volverlo a encender.
- Protección contra descarga excesiva: Cuando la capacidad de la batería es baja, el aparato se detiene automáticamente. Si el aparato no funciona incluso cuando los interruptores están siendo operados, retire el cartucho de batería del aparato y cárguelo.

Función de protección de apertura y cierre de la puerta

Si se abre la puerta durante la operación, el aparato deja de funcionar inmediatamente, se enciende la luz dentro de la cavidad y se suspende el funcionamiento del microondas. Una vez que se cierra la puerta, la luz dentro de la cavidad se apaga. Oprima el botón de arranque nuevamente para reiniciar la operación. Al abrir la puerta mientras el programa está en marcha y no cerrarla en 3 minutos, el aparato sale del programa y se apaga. La operación no inicia sin que se cierre la puerta. Al presionar el botón de arranque con la puerta abierta, el zumbador emite un pitido y muestra el código: F09.

Protección contra inclinación

El aparato no puede funcionar cuando está inclinado. Si el aparato está inclinado, se muestra el código de error: F01. Coloque el aparato en posición horizontal, y reinicie el funcionamiento.

Protección contra otras causas

El sistema de protección también está diseñado para otras causas que podrían dañar el aparato, y permite que el aparato se detenga automáticamente. Siga todos los pasos a continuación para eliminar las causas cuando el aparato se haya detenido temporalmente o se haya detenido durante el funcionamiento.

Cuando se muestre el código de error, consulte la sección correspondiente al código de error.

1. Apague el aparato, y luego enciéndalo nuevamente para reiniciarlo.
2. Cargue la(s) batería(s) o reemplácela(s) con batería(s) recargada(s).
3. Deje que el aparato y la(s) batería(s) se enfríen.

Si no hay ninguna mejora al restaurar el sistema de protección, comuníquese con nuestro departamento de posventa.

Uso del aparato con la fuente de alimentación conectada por cable

Antes de utilizar la fuente de alimentación conectada por cable, lea las instrucciones e indicaciones de precaución sobre esta.

⚠ADVERTENCIA: Cuando utilice el aparato con la fuente de alimentación conectada por cable, coloque la fuente de alimentación conectada por cable sobre una superficie estable. Este aparato se utiliza en una posición estática. El uso de la fuente de alimentación conectada por cable que lleva en la espalda podría causar un accidente de caída.

⚠PRECAUCIÓN: Introduzca siempre completamente el cartucho de batería hasta que el indicador rojo no pueda verse. Si no, podría accidentalmente salirse de la herramienta y caer al suelo causando una lesión a usted o alguien a su alrededor.

⚠PRECAUCIÓN: No instale el cartucho de batería a la fuerza. Si el cartucho no se desliza al interior fácilmente, se debe a que no está siendo insertado correctamente.

NOTA: Se pueden instalar hasta dos cartuchos de batería, aunque el aparato utiliza solo un cartucho de batería para funcionar.

Si instala dos baterías, el aparato utilizará primero la batería del lado derecho de la figura.

MODO DE USO

Instalación o extracción del cartucho de batería

⚠PRECAUCIÓN: Apague siempre el aparato antes de instalar o extraer el cartucho de la batería.

⚠PRECAUCIÓN: Sujete el aparato y el cartucho de la batería con firmeza al colocar o quitar el cartucho de la batería. Si no se sujeta con firmeza el aparato y el cartucho de la batería, puede ocasionar que se resbalen de sus manos resultando en daños al aparato y al cartucho de la batería, así como lesiones a la persona.

Para colocar el cartucho de batería, alinee la lengüeta sobre el cartucho de batería con la ranura en la carcasa y deslice en su lugar. Inserte por completo hasta que se fije en su lugar con un pequeño clic. Si puede ver el indicador rojo del lado superior del botón, esto indica que no ha quedado fijo por completo.

Para quitar el cartucho de batería, deslícelo del aparato mientras desliza el botón sobre la parte delantera del cartucho.

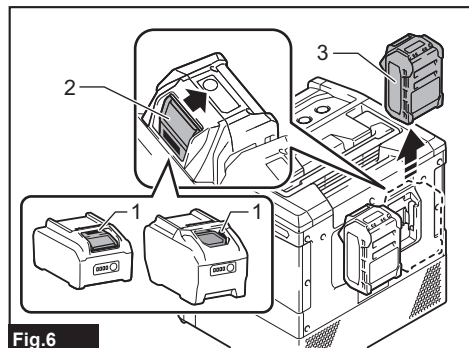


Fig.6

► 1. Indicador rojo 2. Botón 3. Cartucho de batería

Operación básica

Encendido/apagado de la herramienta

Oprima el botón del interruptor de alimentación para que arranque el aparato con un pitido. Después de encender el aparato, el panel de control muestra una potencia del microondas de 500 W, un tiempo de funcionamiento de 0 y la información de energía de la batería de forma predeterminada, y todas las luces de los botones están encendidas.

Si no hay otra operación dentro de los 3 minutos, el aparato se apagará automáticamente, y la pantalla y las luces de los botones se apagarán para ingresar al estado de apagado.

Después de encender el aparato, presione el botón del interruptor de alimentación para apagarlo en cualquier estado, incluido el calentamiento.

Operación de calentamiento

Hay dos niveles de potencia de calentamiento: 500 W y 350 W.

Oprima el botón de selección de alimentación para cambiar entre 500 W y 350 W. El panel de control muestra el nivel correspondiente.

Después de seleccionar la potencia, gire la perilla de ajuste de tiempo en el sentido de las manecillas del reloj para aumentar el tiempo, y en sentido inverso al de las manecillas del reloj para reducir el tiempo. El tiempo máximo a fijar es de 20 minutos.

Después de seleccionar el nivel de potencia y el tiempo, oprima brevemente el botón de arranque para iniciar el calentamiento por microondas. Cuando finalice el calentamiento, sonará un pitido para avisarle que finalizó la operación.

Después de que comience el calentamiento por microondas, oprima brevemente el botón de pausa/paro para pausar el calentamiento.

Para reiniciar la operación durante la pausa, oprima el botón de arranque.

Para cancelar la operación durante la pausa, oprima brevemente el botón de pausa/paro. El tiempo restante se restablece, y el aparato entra en modo de espera.

AVISO: No repita la extracción de los cartuchos de batería inmediatamente después de la operación. Si lo hace varias veces, no se producirá un mal funcionamiento; sin embargo, podría producirse un error si continúa.

El aparato está equipado con el ventilador de enfriamiento.






El ventilador de enfriamiento puede funcionar para enfriar el aparato después de la operación. El sonido del aire sale cuando el ventilador de enfriamiento está funcionando. Esto no es un mal funcionamiento del aparato.

NOTA: El tiempo de calentamiento se puede ajustar durante el mismo.

NOTA: La potencia de salida no se puede cambiar durante el calentamiento.

Estado de la carga

El número de la barra en los indicadores de batería del panel de control muestra la capacidad restante de la batería.

Indicadores de batería	Capacidad restante
	La potencia restante es igual o superior al 75%.
	La potencia restante es igual o superior al 50% e inferior al 75%.
	La potencia restante es igual o superior al 25% e inferior al 50%.
	La potencia restante es de menos del 25%.
 Parpadeando	Cargue la batería. *

* Incluso si le queda capacidad a la batería, el panel de control podría parpadear para solicitar la carga. Esto no es un mal funcionamiento del aparato. Es posible que no se pueda operar parte de la batería cuando su capacidad cae por debajo de cierto nivel debido a las especificaciones.

Función aplicada

Sugerencias para la cocción

Los siguientes factores pueden afectar el resultado de la cocción:

Cómo está acomodada la comida

Coloque las áreas más gruesas hacia el exterior del plato, la parte más delgada hacia el centro y extiéndala uniformemente. Si es posible, no ponga la comida encima una de otra.

Duración del tiempo de cocción

Comience a cocinar con un tiempo corto, evalúelo después de que se agote el tiempo e increméntelo según la necesidad real. La sobrecocción podría provocar humo y quemaduras.

Cocción uniforme de los alimentos

Los alimentos como el pollo, las hamburguesas o los cortes de carne se deben dar vuelta una vez durante la cocción. Según el tipo de alimento, si corresponde, revuélvalo desde afuera hacia el centro del plato una o dos veces durante la cocción.

Si los alimentos están cocidos

El color y la dureza de los alimentos ayudan a determinar si ya están cocidos; se incluye lo siguiente:

- Sale vapor de todas las partes de los alimentos, no solo del borde
- Las articulaciones de las aves se mueven fácilmente
- La carne de cerdo o de aves no muestra signos de sangre
- El pescado está opaco, y se puede cortar fácilmente con un tenedor

Plato para dorar

Cuando utilice un plato para dorar o un recipiente auto-calentable, siempre coloque debajo un aislante resistente al calor, como un plato de porcelana, para evitar dañar el aparato.

Envoltura plástica segura para microondas

Cuando cocine alimentos con alto contenido de grasa, no permita que la envoltura de plástico entre en contacto con los alimentos, ya que podría derretirse

Utensilios de cocina de plástico seguros para microondas

Algunos utensilios de cocina de plástico aptos para microondas pueden no ser adecuados para cocinar alimentos con alto contenido de grasa y azúcar. Además, no se debe exceder el tiempo de precalentamiento especificado en el manual de instrucciones del platillo.

USB

Salida c.c. USB5V Máx. 2,4A, identificación automática. El puerto de salida USB se puede utilizar para cargar el teléfono móvil cuando el aparato está encendido. Durante el proceso de carga, el aparato no se apagará automáticamente. Si utiliza un dispositivo USB de baja corriente, el aparato se apagará automáticamente. Una vez finalizada la carga, el aparato se apagará si no se realiza ninguna operación durante 3 minutos.

AVISO: Conecte únicamente dispositivos que sean compatibles con el puerto USB de alimentación eléctrica. De lo contrario, podría causar un mal funcionamiento del aparato.

AVISO: No conecte el puerto USB de alimentación eléctrica de este aparato al terminal USB de su computadora. Podría provocar una avería.

AVISO: Antes de conectar un dispositivo USB al aparato, respalde siempre su información en el dispositivo USB. De lo contrario, existe la posibilidad de que su información se pierda.

AVISO: Cuando no use los dispositivos o después de cargarlos, retire el cable USB y coloque la cubierta.

Limpeza

⚠ADVERTENCIA: Asegúrese siempre de que el aparato esté apagado, y que el cartucho de batería se haya retirado antes de limpiarlo.

⚠ADVERTENCIA: No sumerja el aparato en agua u otros líquidos durante la limpieza.

⚠PRECAUCIÓN: No toque el aparato inmediatamente después de su funcionamiento. Espere hasta que el aparato se enfríe por completo. De lo contrario, podría sufrir una lesión por quemadura.

⚠PRECAUCIÓN: No quite la rejilla de la puerta del horno.

AVISO: El aparato debe limpiarse con regularidad y eliminar cualquier resto de comida. Si no se mantiene limpio el aparato, se podría producir el deterioro de la superficie, lo que afectaría negativamente la vida útil del aparato.

AVISO: Utilice únicamente jabones suaves, no abrasivos, o detergentes aplicados con una esponja o un paño suave. No utilice nunca polvos abrasivos ni cepillos metálicos para limpiar ninguna parte del aparato.

Después del uso, limpie la rejilla de la puerta del horno con un paño húmedo, y luego con un paño seco para eliminar las salpicaduras de comida y grasa. La grasa acumulada podría sobrecalentarse y comenzar a producir humo o incendiarse.

Cuando el aparato se ha utilizado durante mucho tiempo, podría haber algunos olores extraños en el horno. Uno de los siguientes métodos puede deshacerse de ellos:

- Coloque varias rodajas de limón en una taza, luego caliente a 500 W durante 2-3 minutos.
- Coloque una taza de té rojo en el horno, luego caliente a 500 W durante 2-3 minutos.
- Coloque un poco de cáscara de naranja en el horno, y luego caliéntela a 500 W durante 1 minuto.

Cómo limpiar el filtro de esponja:

Limpie el filtro de esponja una vez al mes mediante el siguiente procedimiento:

1. Abra la cubierta del filtro. Retire el filtro de esponja y quite el polvo.
2. Limpie la superficie y el interior de la cubierta del filtro con un paño de limpieza.

3. Lave el filtro de esponja en agua y séquelo bien, o sople los artículos varios y el polvo absorbido en el filtro de esponja con un despolvador de aire. Cuando el filtro de esponja esté dañado y no se pueda limpiar, reemplace el filtro de esponja a tiempo.

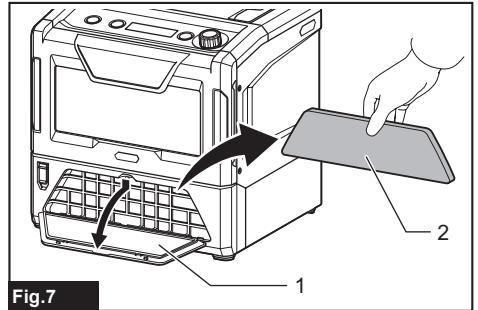


Fig.7

▶ 1. Cubierta del filtro 2. Filtro de esponja

Almacenamiento

Cuando no se utilice el aparato, colóquelo en un lugar interior y ventilado.

MANTENIMIENTO e INSPECCIÓN

Mantenimiento

⚠ADVERTENCIA: RADIACIÓN DE MICROONDAS

Retire el cartucho de batería antes del mantenimiento. Hay radiación de microondas y alto voltaje en el horno de microondas. El capacitor de alto voltaje aún tiene un voltaje peligroso dentro de los 30 segundos posteriores al corte de energía. Es necesario utilizar una herramienta con mango aislante para cortocircuitar y descargar el terminal del capacitor con la coraza. **Para evitar daños a las personas, está estrictamente prohibido desmontarlo y repararlo usted mismo, excepto los técnicos de mantenimiento.**

⚠PRECAUCIÓN: Asegúrese siempre de que el aparato haya sido apagado y desconectado, y que el cartucho de batería haya sido extraído antes de intentar realizar una inspección o tarea de mantenimiento.

AVISO: Nunca use gasolina, bencina, diluyente (tiner), alcohol o sustancias similares. Puede que esto ocasione grietas o decoloramiento.

Para mantener la SEGURIDAD y FIABILIDAD del producto, las reparaciones, y cualquier otra tarea de mantenimiento o ajuste deberán ser realizadas en centros de servicio autorizados o de fábrica Makita, empleando siempre repuestos Makita.

Código de error

Cuando el aparato detecta una falla, el panel de control muestra el código de falla correspondiente como sigue:

Código de error	Problema
F01	El aparato está colocado unos 30 grados por encima del ángulo de nivel. Compruebe si el aparato está colocado horizontalmente.
F02	Exceso de corriente. Apague y reinicie después de reemplazar la batería.
F03	Sobrevoltaje. Apague y reinicie después de reemplazar la batería.
F04	Exceso de temperatura. Deje reposar el aparato durante un período, y reinicielo después de que se enfríe.
F05	Fallo del ventilador dentro del aparato. Apague y reinicie el aparato.
F06	Fallo del magnetrón dentro del aparato. Apague y reinicie el aparato.
F07	Falla de energización interna. Apague y reinicie el aparato.
F09	La función de protección de apertura y cierre de la puerta podría estar activa. Consulte la sección para la función de protección de apertura y cierre de la puerta. Si el error no desaparece, apague y reinicie el aparato.

Si el error sigue sin desaparecer, lleve el aparato a los centros de servicio de fábrica o autorizados de Makita.

Servicio de mantenimiento

Verifique que el aparato funcione correctamente o no de la siguiente manera:

Coloque una taza de agua en un vaso resistente al calor (aproximadamente 150 ml) en la cavidad, y cierre la puerta de forma segura. Deje funcionando el aparato por 1 minuto.

— ¿Se enciende la luz dentro de la cavidad?

— ¿Se calienta el agua dentro de la cavidad?

Si "NO" es la respuesta a alguna de las preguntas anteriores, el aparato tiene algún problema en su interior.

Solicite la reparación a los centros de servicio autorizados o de fábrica de Makita.

Eliminación

⚠ADVERTENCIA: Deshágase del aparato de manera apropiada. La eliminación del aparato debe realizarse de acuerdo con las ordenanzas y leyes locales.

ACCESORIOS OPCIONALES

⚠PRECAUCIÓN: Estos accesorios o aditamentos están recomendados para utilizarse con su aparato Makita especificado en este manual. El uso de cualquier otro accesorio o aditamento puede ocasionar riesgo de lesiones personales. Use los accesorios o aditamentos sólo para los propósitos para los que fueron diseñados.

Si necesita cualquier ayuda para más detalles en relación con estos accesorios, pregunte a su centro de servicio local Makita.

- Batería genuina de Makita y cargador autorizado de Makita
- Correa para hombro

NOTA: Algunos de los artículos en la lista pueden incluirse en el paquete de la herramienta como accesorios estándar. Éstos pueden variar de país a país.

GARANTÍA LIMITADA DE MAKITA

Ésta Garantía no aplica para México

Consulte la hoja de la garantía anexa para ver los términos más vigentes de la garantía aplicable a este producto. En caso de no disponer de esta hoja de garantía anexa, consulte los detalles sobre la garantía descritos en el sitio web de su país respectivo indicado a continuación.

Estados Unidos de América: www.makitatools.com

Canadá: www.makita.ca

Otros países: www.makita.com

Makita Corporation
3-11-8, Sumiyoshi-cho,
Anjo, Aichi 446-8502 Japan
www.makita.com

MW001G-NA3-2302
MW001G-1
EN, FRCA, ESMX
20230301