



HK	HONG KONG
----	-----------

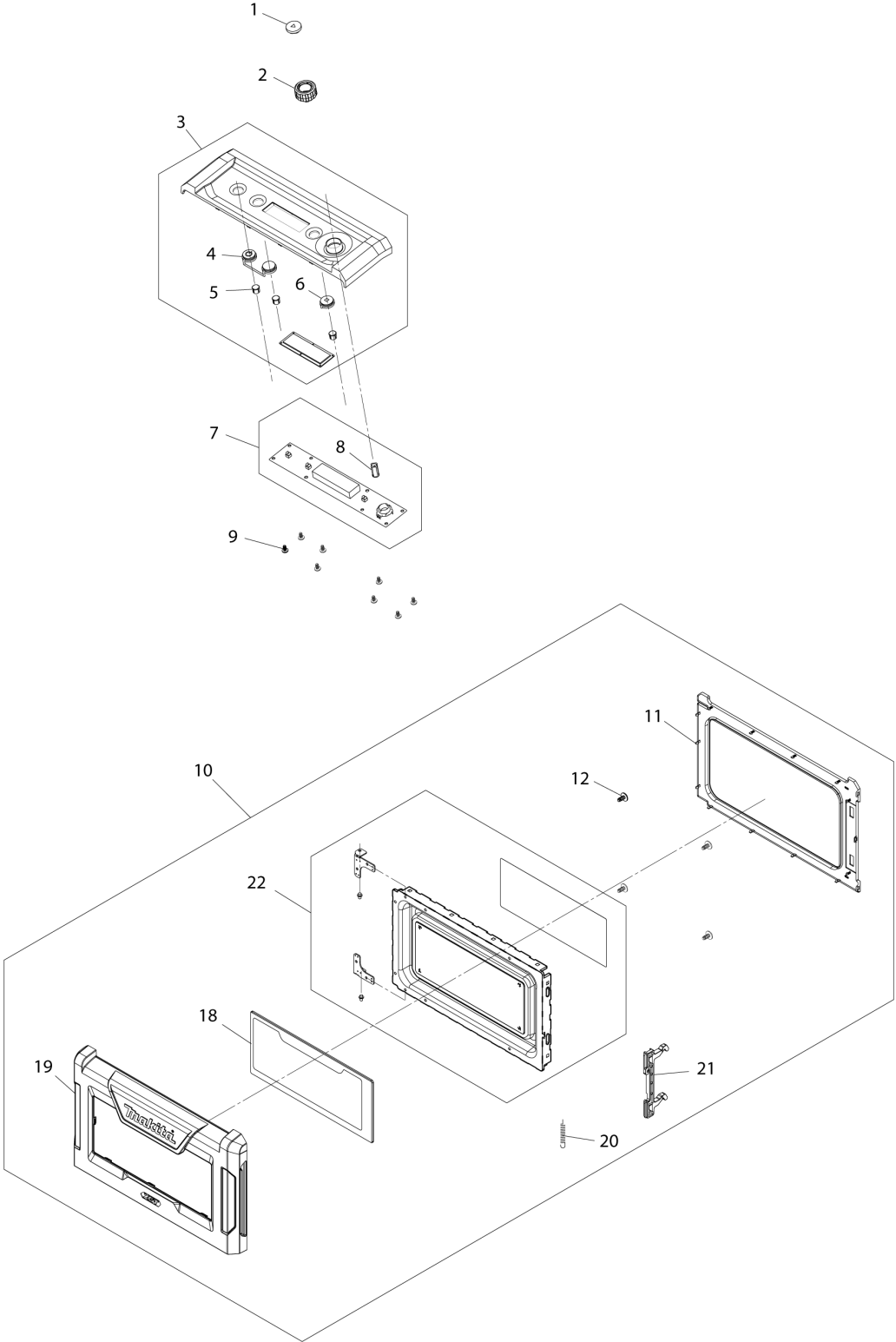
Diagram / Parts List

MW001G

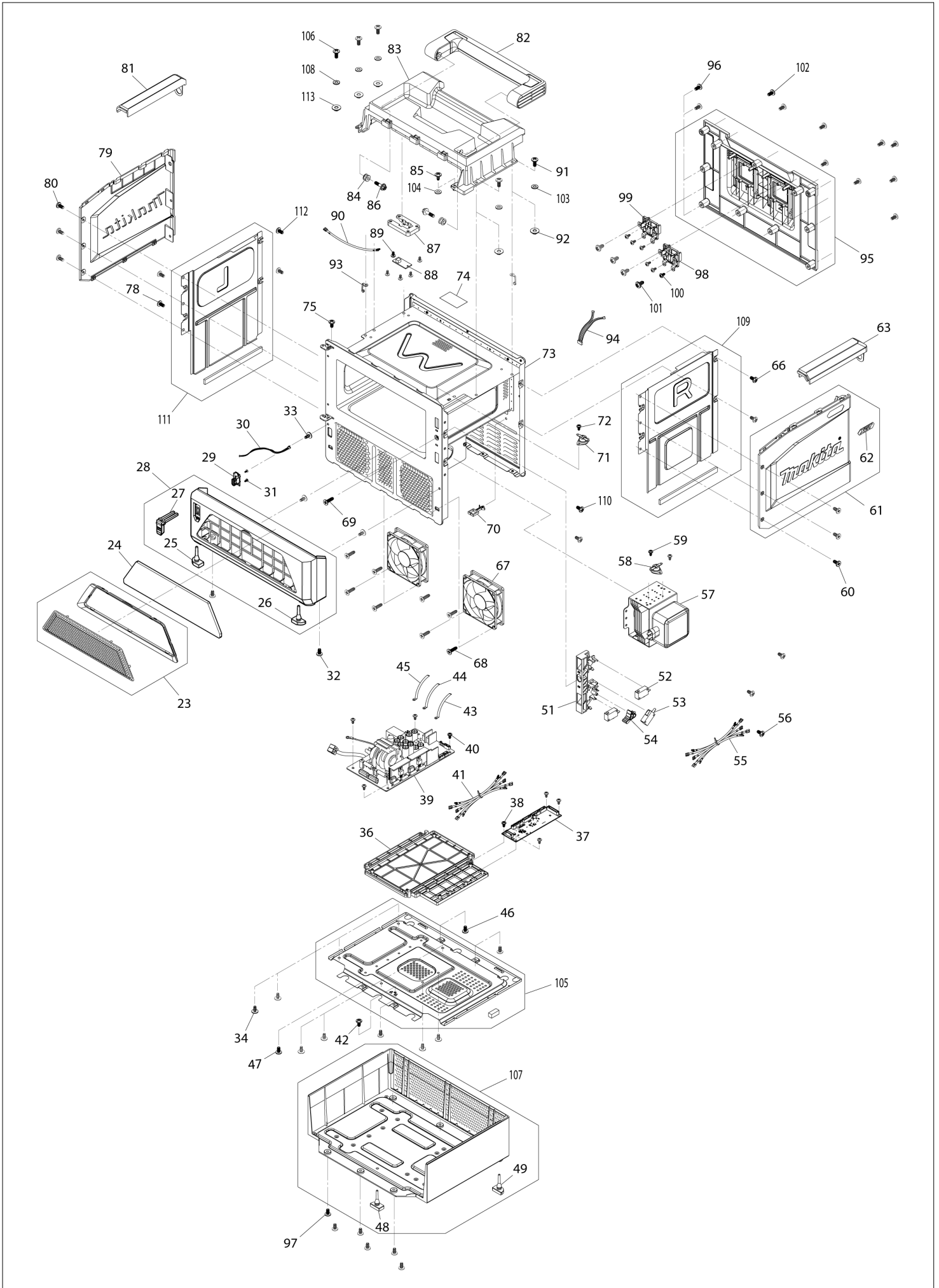
CORDLESS MICROWAVE



(HK) MW001G / CORDLESS MICROWAVE



(HK) MW001G / CORDLESS MICROWAVE



HK

HONG KONG

MW001G / CORDLESS MICROWAVE

Item	Sub	Parts No.	Parts Description	Qty	I/C	E/C No.	Close No.	Remark
001		WL00000334	START BUTTON	1				
002		WL00000335	KNOB	1				
003		WL00000336	CONTROL PANEL ASS'Y	1				
	D10		INC. 4-6					
004		WL00000337	POWER BUTTON	1				
005		WL00000338	LIGHT GUIDE	3				
006		WL00000339	STOP BUTTON	1				
007		WL00000340	CONTROL BOARD ASS'Y	1				
	D10		INC. 8					
008		WL00000341	INNER BUTTON	1				
009		WL00000342	SCREW ST3X6	8				
010		WL00000420	DOOR ASS'Y	1				
	D10		INC. 11,12,18-22					
011		WL00000344	DOOR GASKET	1				
012		WL00000345	SCREW 4X8	4				
018		WL00000352	DOOR SCREEN	1				
019		WL00000353	DOOR PANEL	1				
020		WL00000354	LATCH SPRING	1				
021		WL00000355	DOOR HOOK	1				
022		WL00000346	DOOR FRAME ASS'Y	1				
023		WL00000356	FILTER BRAKECT ASS'Y	1				
024		WL00000357	SPONGE	1				
025		WL00000359	FOOT L	1				
026		WL00000360	FOOT R	1				
027		WL00000361	USB COVER	1				
028		WL00000358	VENT GRILLE ASS'Y	1				
	D10		INC. 25-27					
029		WL00000362	USB PCB ASS'Y	1				
030		WL00000363	LEAD UNIT USB	1				
031		WL00000342	SCREW ST3X6	2				
032		WL00000364	SCREW CT4X8	2				
033		WL00000345	SCREW 4X8	3				
034		WL00000345	SCREW 4X8	6				
036		WL00000367	INVERTER BRACKET	1				
037		WL00000368	PCB BOARD	1				
038		WL00000342	SCREW ST3X6	4				
039		WL00000369	POWER BOARD	1				
040		WL00000342	SCREW ST3X6	4				
041		WL00000370	MAIN HARNESS	1				
042		WL00000371	SCREW CT4X5	1				
043		WL00000372	POWER CORD (WHITE)	1				
044		WL00000373	POWER CORD (BLACK)	1				
045		WL00000374	POWER CORD (RED)	1				
046		WL00000364	SCREW CT4X8	2				
047		WL00000364	SCREW CT4X8	2				
048		WL00000360	FOOT R	1				
049		WL00000359	FOOT L	1				
051		WL00000377	LATCH BRACKET	1				
052		WL00000378	MICROSWITCH A	2				
053		WL00000379	MICROSWITCH B	1				
054		WL00000380	LATCH LEVER	1				
055		WL00000381	LEAD UNIT LATCH ASS'Y	1				
056		WL00000364	SCREW CT4X8	3				
057		WL00000382	MAGNETRON	1				
058		WL00000383	THERMOSTAT	1				
059		WL00000342	SCREW ST3X6	2				
060		WL00000384	SCREW CB4X8	3				
061		WL00000385	RIGHT COVER ASS'Y	1				
	D10		INC. 62					
062		WL00000386	XGT LOGO LABEL	1				
063		WL00000387	UPPER COVER R	1				
066		WL00000364	SCREW CT4X8	2				
067		WL00000391	FAN MOTOR	2				
068		WL00000392	SCREW CT5X16	8				
069		WL00000393	SCREW ST4X12	1				

A:

Interchange

O : Yes

X : No

< : the new part can be substituted for the current.

> : the current part can be substituted for the new.

S : Interchangeable as a set.

