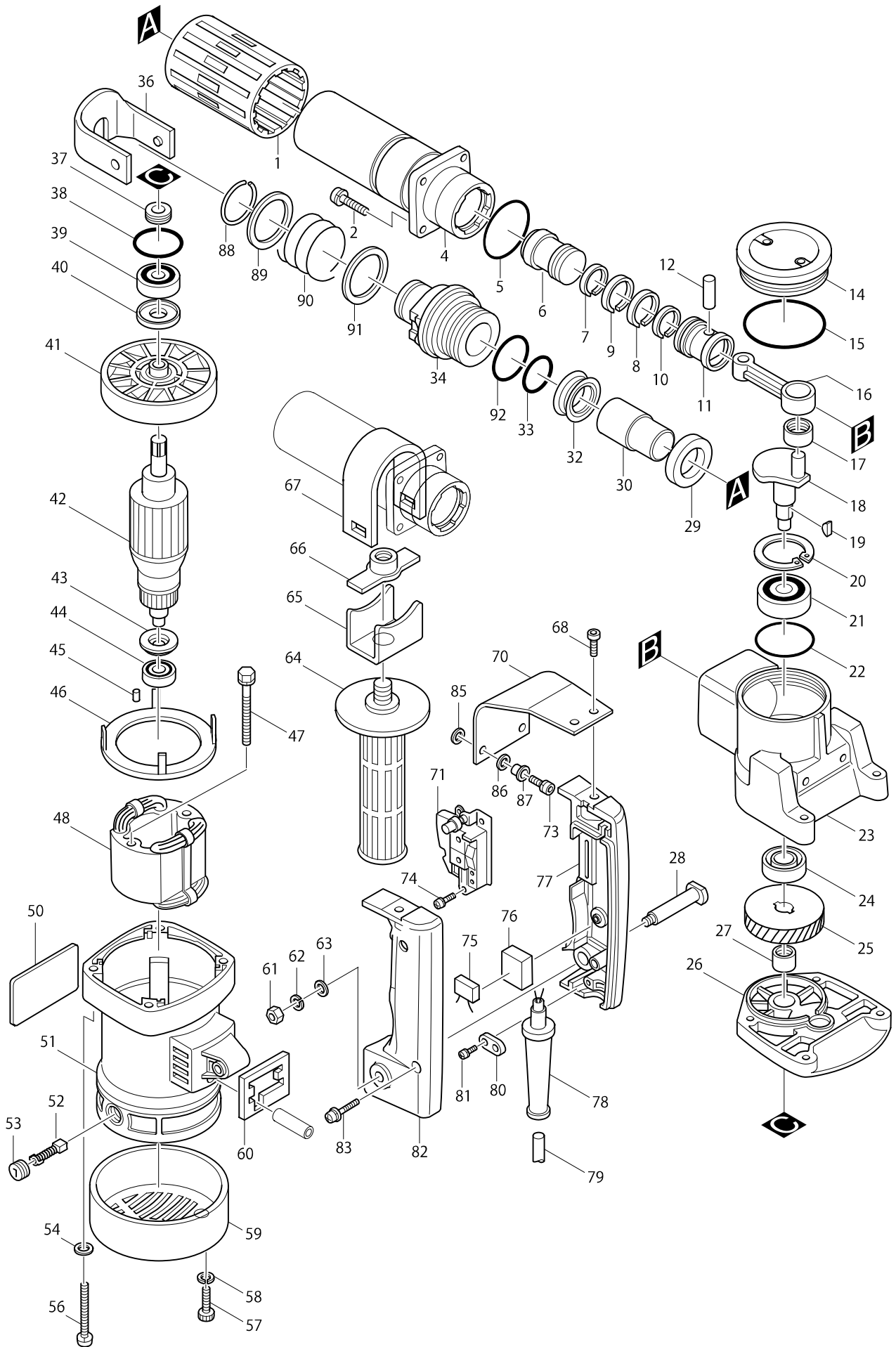


# Model No. HM0810 DEMOLITION HAMMER



# Model No. HM0810 DEMOLITION HAMMER

Item	Parts No.	Description	I/C	Qty	N/O	Sales	Purch.	Note
001	421196-8	BARREL COVER		1	*			
001-1	421541-7	BARREL COVER	X	1				
002-1	922341-3	HEX. SOCKET HEAD BOLT M6X25		4				
004-1	151413-9	BARREL COMPLETE		1	*			
004-2	151457-9	BARREL COMPLETE	S	1				
005	213554-0	O RING 44		1				
006	321929-0	STRIKER		1				
007	412073-5	INNER RING 26		1				
008	412053-1	PISTON RING 30		1				
009	412053-1	PISTON RING 30		1				
010	321514-9	INNER RING 26		1				
011	321958-3	PISTON		1				
012	256165-8	PIN 8		1				
013	813002-5	MAKITA LABEL		1	*			
014E_	150368-5	CRANK CAP COMPLETE		1				
C10	810712-5	CAUTION LABEL		1				
015	213654-6	O RING 60		1				
016	312956-8	ROD		1				
017	212108-0	NEEDLE BEARING 1212		1				
018	321954-1	CRANK SHAFT		1				
019	254001-2	WOODRUFF KEY 4		2				
020	962203-3	RETAINING RING R-47		1				
021	211264-3	BALL BEARING 6303		1	*			
021-1	211279-0	BALL BEARING 6303LLU	O	1				
022	213606-7	O RING 48		1				
023-1	157627-8	CRANK HOUSING COMPLETE		1				
D10		INC. 22						
024	213260-7	OIL SEAL 17		1				
025	221669-9	HELICAL GEAR 41		1				
026	157628-6	GEAR HOUSING		1				
D10		INC. 38						
027	212102-2	NEEDLE BEARING 1210		1				
028	321210-9	HANDLE SHAFT		1				
029	253955-0	FLAT WASHER 24		1				
030	321495-7	IMPACT BOLT		1				
032-1	213420-1	X RING 28		1	*			
032-2	213428-5	X RING 28	X	1				
033	213411-2	O RING 27		1				
034-3	322594-8	TOOL HOLDER		1	*			
034-4	193003-2	TOOL HOLDER SET	X	1	*			
D10		INC. 92,93			*			
034-5	193003-2	TOOL HOLDER SET	X	1				
D10		INC. 92,93						
036-3	165047-2	TOOL RETAINER		1	*			
036-4	165071-5	TOOL RETAINER	X	1				
037	331194-3	SEAL		1				
038	213459-4	O RING 32		1				
039	211106-1	BALL BEARING 6201LLB		1	*			

# Model No. HM0810 DEMOLITION HAMMER

Item	Parts No.	Description	I/C	Qty	N/O	Sales	Purch.	Note
039-1	211144-3	BALL BEARING 6201LLB	O	1	*			
039-2	211106-1	BALL BEARING 6201LLB	O	1				
040	213102-5	DUST SEAL 12		1				
041	241827-1	FAN 82		1				
042A1B	516146-7	ARMATURE ASS'Y 115V		1	*			
D10		INC. 39-41,43,44			*			
042A2B	516146-7	ARMATURE ASS'Y 115V	O	1				
D10		INC. 39-41,43,44						
042B1A	516147-5	ARMATURE ASS'Y 200V		1	*			
D10		INC. 39-41,43,44			*			
042B2A	516147-5	ARMATURE ASS'Y 200V	O	1				
D10		INC. 39-41,43,44						
043	681625-5	INSULATION WASHER		1				
044	211031-6	BALL BEARING 608LLB		1				
045	263014-2	RUBBER PIN 4		1	*			
045-1	263002-9	RUBBER PIN 4	O	1				
046	410509-8	BAFFLE PLATE		1				
047-2	265345-5	+ HEX. BOLT M5X60		2				
048A_B	522506-3	FIELD ASS'Y 115V		1				
C10	654019-7	RING TERMINAL		2				
C20	654501-6	CONNECTOR P-1.25		2				
048B_A	522507-1	FIELD ASS'Y 200V		1				
C10	654019-7	RING TERMINAL		2				
C20	654501-6	CONNECTOR P-1.25		2				
050	855553-2	NAME PLATE HM0810		1	*			
050-1	897955-6	NAME PLATE HM0810	<	1				
051	157629-4	MOTOR HOUSING		1	*			
C10	643603-3	BRUSH HOLDER 6-10		2	*			
D10		INC. 45			*			
051-1	159634-7	MOTOR HOUSING	S	1				
C10	643603-3	BRUSH HOLDER 6-10		2				
D10		INC. 45						
052	181038-5	A.C. CARBON BRUSH CB-105		1				
053	643600-9	BRUSH HOLDER CAP 6-10		2				
054	941151-9	FLAT WASHER 6		4	*			
056-1	922371-4	HEX. SOCKET HEAD BOLT M6X50		4	*			
056-2	922374-8	H.S.H.BOLT M6X50 WITH WG	S	4				
057-3	922226-3	HEX. SOCKET HEAD BOLT M5X18		2				
058-1	942101-7	SPRING WASHER 5		2	*			
059	284059-7	REAR COVER		1				
060	413020-9	SPONGE 38.5-46		1	*			
060-1	423257-0	SPONGE 38.5-46	O	1				
061	931302-2	HEX. NUT M6		1				
062	942151-2	SPRING WASHER 6		1				
063	941151-9	FLAT WASHER 6		1				
064	273457-0	GRIP 32		1				
065	341922-8	GRIP BASE		1				
066	321497-3	CLAMP NUT		1				

# Model No. HM0810 DEMOLITION HAMMER

Item	Parts No.	Description	I/C	Qty	N/O	Sales	Purch.	Note
067	341914-7	GRIP CLAMP		1				
068-3	922316-2	HEX. SOCKET HEAD BOLT M6X14		2				
070-1	343753-1	CUSHION PLATE		2				
071A_	651051-2	SWITCH HPAHR6-35S		1				
073-4	265914-2	HEX. SOCKET HEAD BOLT M6X25		2				
074	911109-2	PAN HEAD SCREW M4X8		2				
077	181816-3	HANDLE SET		1	*			
D10		INC. 82			*			
077-1	182590-6	HANDLE SET	O	1				
D10		INC. 82-1						
078A_B	682503-2	CORD GUARD 8-90		1				
078B_A	682540-6	CORD GUARD 9.3-90		1				
079A_A	692541-6	POWER SUPPLY CORD 1.00-2-5.0		1				
079H_B	660023-6	POWER SUPPLY CORD AWG#18-2-5.0		1	*			
079H1B	660254-7	POWER SUPPLY CORD AWG#18-2-5.0	O	1				
080A_B	687002-9	STRAIN RELIEF		1				
080C_A	687031-2	STRAIN RELIEF		1				
081-1	911133-5	PAN HEAD SCREW M4X18		2				
082	181816-3	HANDLE SET		1	*			
D10		INC. 77			*			
082-1	182590-6	HANDLE SET	O	1				
D10		INC. 77						
083	911243-8	PAN HEAD SCREW M5X25		1				
085	262051-3	RUBBER RING 9		2				
086	262052-1	RUBBER RING 9		2				
087	257636-8	SLEEVE 6		2				
088	231936-4	RING SPRING 30.5		1				
089	267112-4	FLAT WASHER 34		1				
090	233052-8	COMPRESSION SPRING 35		1				
091	267112-4	FLAT WASHER 34		1				
092	213508-7	O RING 38		1				
093	267203-1	FLAT WASHER 43		1				
400B_	150881-3	PLASTIC CARRYING CASE COMPLETE		1				
C10	810845-6	CAUTION LABEL		1				
C20	162202-7	LATCH		2				
C30	416549-4	HANDLE		1				
C40	416556-7	COVER		2				
C50	819140-1	MAKITA LOGO LABEL		1				
401	798023-7	BULL POINT 17-280		1	*			
401-1	A-80450	BULL POINT 17X280	O	1				
404	783202-0	HEX. WRENCH 4		1				