



HK	HONG KONG
----	-----------

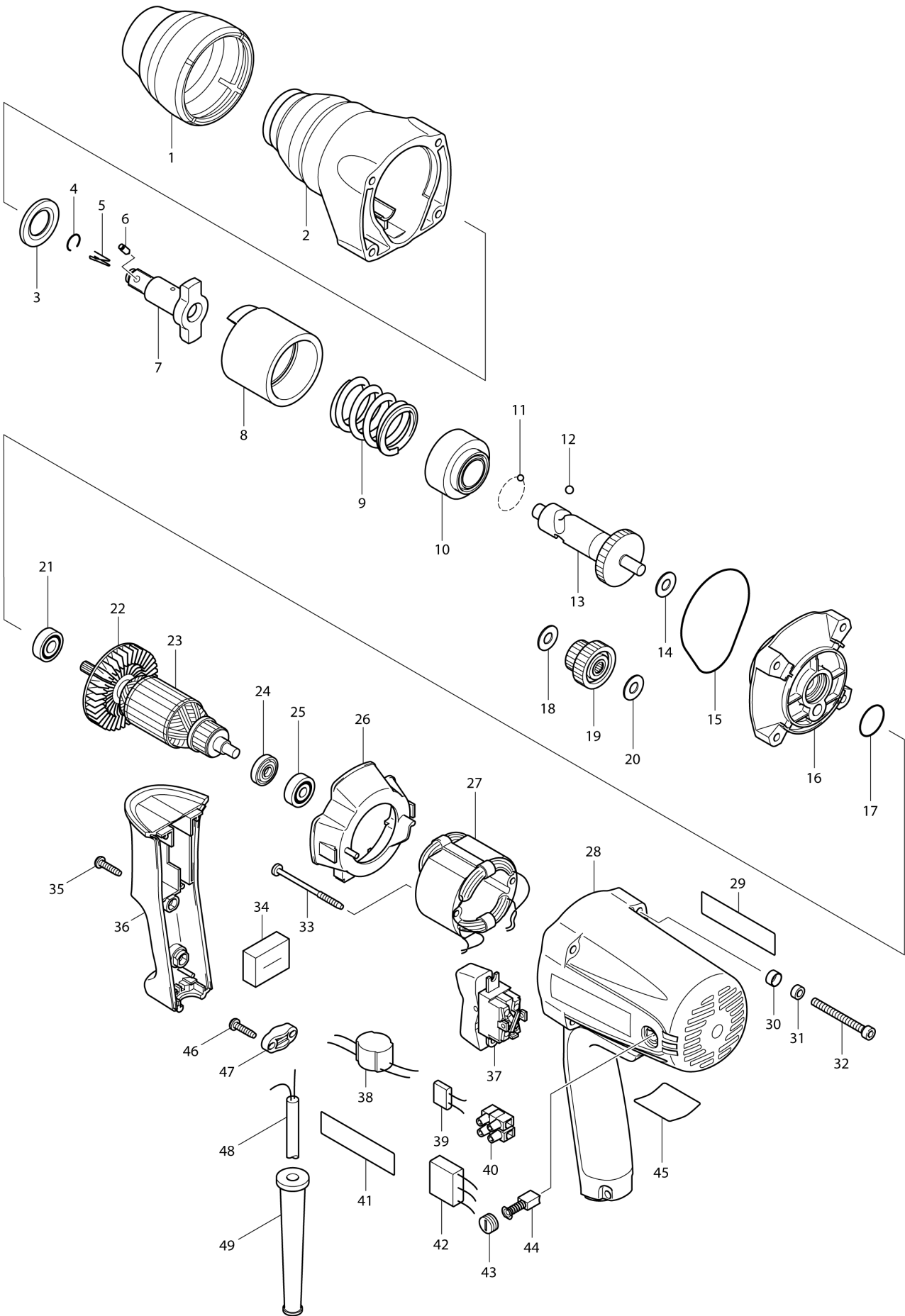
Diagram / Parts List

TW0350

IMPACT WRENCH



(HK) TW0350 / IMPACT WRENCH



HK

HONG KONG

TW0350 / IMPACT WRENCH

Item	Sub	Parts No.	Parts Description	Qty	I/C	E/C No.	Close No.	Remark
001		421837-6	BUMPER	1				
002		153623-4	HAMMER CASE COMPLETE	1				
	C10	213257-6	OIL SEAL 18	1				
	C20	321119-5	SLEEVE 18	1				
003		267268-3	FLAT WASHER 19	1				
004		231907-1	RING SPRING 10	1				
007A		324406-1	ANVIL	1			B5968	
007-1A		326983-9	ANVIL	1	<	B5968		
007-1Y		326983-9	ANVIL	1				
007-1Z		326983-9	ANVIL	1				
008		324336-6	HAMMER	1				
009		233383-5	COMPRESSION SPRING 28	1				
010		313115-7	SPRING HOLDER	1				
011		216008-6	STEEL BALL 4	19				
012		216007-8	STEEL BALL 6.4	2				
013		324338-2	SPINDLE	1				
014		253139-0	FLAT WASHER 8	1				
015		421838-4	SEAL RING	1				
016		153624-2	HAMMER CASE COVER COMPLETE	1				
017		213373-4	O RING 22	1				
018		253139-0	FLAT WASHER 8	1				
019		153626-8	SPUR GEAR 19-41 COMPLETE	1				
020		253139-0	FLAT WASHER 8	1				
021		210024-0	BALL BEARING 608LLU	1				
022		241884-9	FAN 60	1				
023A		515263-0	ARMATURE ASS'Y 220-240V	1				
	D10		INC. 21,22,24,25					
023Y		515263-0	ARMATURE ASS'Y 220-240V	1				220-240V
	D10		INC. 21,22,24,25					220-240V
023Z		515260-6	ARMATURE ASS'Y 100-115V	1				110V
	D10		INC. 21,22,24,25					110V
024		681614-0	INSULATION WASHER	1				
025		210025-8	BALL BEARING 627LLB	1				
026		418180-2	BAFFLE PLATE	1				
027A		625163-7	FIELD 220-240V	1				
027Y		528179-0	FIELD ASS'Y 220-240V	1				220-240V
	C10	654100-4	RING TERMINAL	2				220-240V
	C20	654501-6	CONNECTOR P-1.25	2				220-240V
027Z		528178-2	FIELD ASS'Y 115V	1				110V
	C10	654100-4	RING TERMINAL	2				110V
	C20	654501-6	CONNECTOR P-1.25	2				110V
028A		183604-4	MOTOR HOUSING	1			84418	
	C10	643455-2	BRUSH HOLDER 6X9	2			84418	
	D10		INC. 29,41				84418	
028-1A		153625-0	MOTOR HOUSING	1	O	84418		
	C10	643455-2	BRUSH HOLDER 6X9	2		84418		
028-1Y		153625-0	MOTOR HOUSING	1				
	C10	643455-2	BRUSH HOLDER 6X9	2				
028-1Z		153625-0	MOTOR HOUSING	1				
	C10	643455-2	BRUSH HOLDER 6X9	2				
029A		819064-1	MAKITA MARK	1			84418	
030		253929-1	CUP WASHER 5	4				
031		262001-8	URETHANE RING 5	4				
032		266331-9	HEX. SOCKET HEAD BOLT M5X50	4				
033		266091-3	TAPPING SCREW 4X50	2				
034Y		685700-9	SPONGE SHEET	1				
034Z		685700-9	SPONGE SHEET	1				
035		265995-6	TAPPING SCREW 4X18	2				
036		418179-7	HANDLE COVER	1				
037		651572-4	SWITCH SL220SD-19	1			DB412	
037-1		651572-4	SWITCH SL220SD-19	1	O	DB412		
038Y		646358-9	LINE COIL	1				220-240V
038Z		646324-6	LINE COIL	1				110V
039Y		646755-9	RESISTOR	1				
039Z		646755-9	RESISTOR	1				

A:TW0350(H)
Y:TW0350(H)
Z:TW0350(L)

Interchange
O : Yes
X : No
< : the new part can be substituted for the current.
> : the current part can be substituted for the new.
S : Interchangeable as a set.

