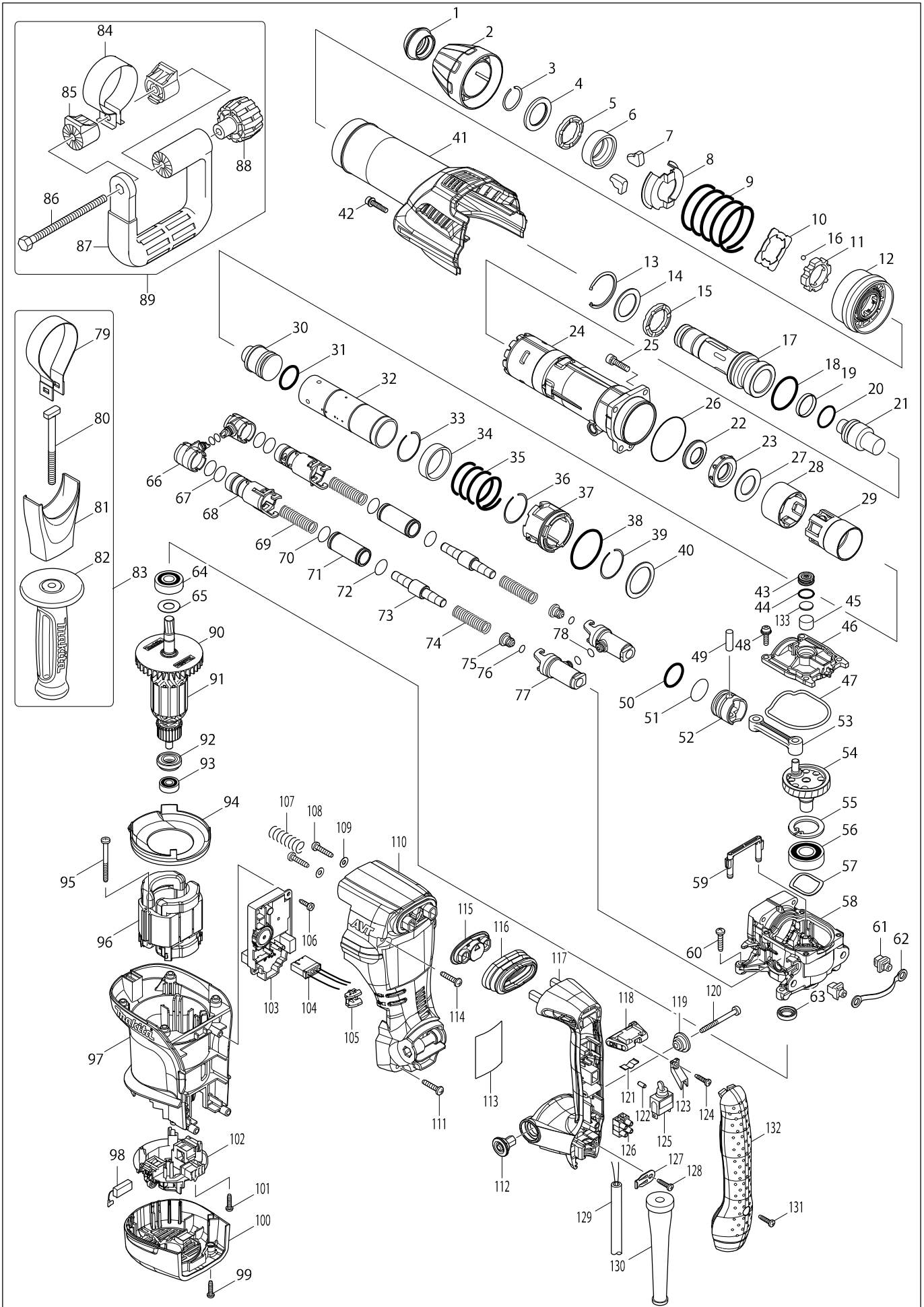


Model No. HM0871C DEMOLITION HAMMER



Model No. HM0871C DEMOLITION HAMMER

Item	Parts No.	Description	I/C	Qty	N/O	Sales	Purch.	Note
001	286287-0	TOOL HOLDER CAP		1				
002	451432-8	CHUCK COVER		1				
003	231984-3	RING SPRING 25		1				
004	267272-2	FLAT WASHER 28		1				
005	424261-2	RUBBER RING 28		1				
006	331659-5	CHUCK RING		1				
007	310108-5	TOOL RETAINER		2				
008	345360-6	SPRING GUIDE		1	*			
008-1	346677-0	SPRING GUIDE	<	1				
009	233387-7	COMPRESSION SPRING 52		1				
010	346141-1	PLATE		1				
011	310145-9	LOCK RING		1				
012	451433-6	CHANGE RING		1				
013	257960-9	RETAINING RING(INT) ROUND R-42		1				
014	267273-0	FLAT WASHER 29		1				
015	424261-2	RUBBER RING 28		1				
016	216002-8	STEEL BALL 4.8		4				
017	324387-9	TOOL HOLDER		1				
018	213527-3	O RING 38		1				
019	213431-6	FLUORIDE RING 28		1				
020	213394-6	O RING 23		1				
021	324389-5	IMPACT BOLT		1				
022	325732-1	RING 20		1				
023	424245-0	RUBBER RING 20		1				
024	318511-4	BARREL		1				
025	922341-3	HEX. SOCKET HEAD BOLT M6X25		4				
026	213656-2	O RING 53		1				
027	267407-5	FLAT WASHER 23		1				
028	451639-6	GUIDE RING		1				
029	450098-1	SLIDE SLEEVE		1				
030	324388-7	STRIKER		1				
031	213958-6	O RING 24		1				
032	331658-7	CYLINDER 32		1				
033	233927-1	RING SPRING 34		1				
034	331660-0	RING 36		1				
035	233386-9	COMPRESSION SPRING 37		1				
036	233927-1	RING SPRING 34		1				
037	318510-6	CYLINDER GUIDE		1				
038	213611-4	O RING 46		1				
039	233927-1	RING SPRING 34		1				
040	267079-6	FLAT WASHER 34		1				
041	451443-3	HOUSING COVER		1				
042	922243-3	HEX. SOCKET HEAD BOLT M5X25		1				
043	419988-7	FILTER CAP		1				
044	213218-6	O RING 16		1				
045	443129-3	FILTER		1				
046	451434-4	CRANK CAP		1				
047	424244-2	SEAL RING		1				

Model No. HM0871C DEMOLITION HAMMER

Item	Parts No.	Description	I/C	Qty	N/O	Sales	Purch.	Note
048	911233-1	PAN HEAD SCREW M5X20		4				
049	268104-6	PIN 8		1				
050	213958-6	O RING 24		1				
051	213432-4	O RING 26		1				
052	418349-8	PISTON		1				
053	418350-3	CONNECTING ROD		1				
054	325734-7	CRANK SHAFT 17.5		1				
055	962157-4	RETAINING RING R-40		1				
056	211281-3	BALL BEARING 6203LLU		1	*			
056-1	211490-4	BALL BEARING 6203LLU	O	1				
057	267825-7	WAVE WASHER 30		1				
058	140204-3	CRANK HOUSING COMPLETE		1				
059	451429-7	AIR PIPE		1				
060	266041-8	TAPPING SCREW 5X25		4				
061	419008-7	FIX GUIDE		2				
062	423400-1	CUSHION PLATE		1				
063	213133-4	OIL SEAL 12		1	*			
063-1	213678-2	OIL SEAL 12	O	1				
064	211106-1	BALL BEARING 6201LLB		1				
065	253759-0	FLAT WASHER 12		1				
066	451430-2	PIPE HOLDER SUPPORT		2	*			
066-1	455791-2	PIPE HOLDER SUPPORT	<	2				
067	213275-4	O RING 18		4				
068	451436-0	PIPE HOLDER B		2				
069	234134-9	COMPRESSION SPRING 12		2				
070	213275-4	O RING 18		2				
071	324572-4	PIPE 16		2				
072	213275-4	O RING 18		2				
073	325733-9	COUNTER WEIGHT		2				
074	234134-9	COMPRESSION SPRING 12		2				
075	419011-8	SPRING GUIDE		2				
076	213030-4	O RING 8		2				
077	451435-2	PIPE HOLDER A		2				
078	213030-4	O RING 8		4				
079	346140-3	GRIP SPRING 70		1				
080	266522-2	SQUARE BOLT M8X95		1				
081	418363-4	SIDE GRIP BASE 60		1				
082	158131-0	GRIP 36 COMPLETE		1				
083	135332-7	GRIP 36 ASSEMBLY		1				
D10		INC. 79-82						
090	240119-5	FAN 76		1				
D10		INC. 90,92,93						
091A	518687-9	ARMATURE ASS'Y 220-240V		1				
091B	513791-9	ARMATURE ASSEMBLY 115V		1				
092	681650-6	INSULATION WASHER		1				
093	210005-4	BALL BEARING 608DDW		1				
094	451438-6	BAFFLE PLATE		1				
095	266095-5	TAPPING SCREW 5X55		2				

Model No. HM0871C DEMOLITION HAMMER

Item	Parts No.	Description	I/C	Qty	N/O	Sales	Purch.	Note
096A	625764-1	FIELD 240V		1				
096B	625756-0	FIELD 115V		1				
097	451423-9	MOTOR HOUSING		1				
098	194160-9	CARBON BRUSH CB-350		1				
099	265995-6	TAPPING SCREW 4X18		2				
100	451442-5	REAR COVER		1				
101	265995-6	TAPPING SCREW 4X18		4				
102	638674-3	BRUSH HOLDER UNIT		1				
103A	631932-6	CONTROLLER		1				
103B	631931-8	CONTROLLER		1				
104	638675-1	LEAD UNIT		1				
105	451428-9	LENS		1				
106	266192-7	TAPPING SCREW 4X14		2	*			
106-1	266901-4	TAPPING SCREW 4X14	<	2				
107	233434-4	COMPRESSION SPRING 11		1				
108	266041-8	TAPPING SCREW 5X25		2				
109	267066-5	FLAT WASHER 5		2				
110	141935-7	HANDLE BASE COMPLETE		1				
C10	810711-7	CAUTION LABEL		1				
111	266041-8	TAPPING SCREW 5X25		2				
112	451431-0	HANDLE RETAINER		1				
113	867384-7	HM0871C NAME PLATE		1	*			
113-1	814H67-8	HM0871C NAME PLATE	O	1				
114	266041-8	TAPPING SCREW 5X25		2				
115	451437-8	DUST COVER SUPPORT		1				
116	424247-6	DUST COVER		1				
117	140205-1	HANDLE COMPLETE		1				
118	451439-4	SLIDE LEVER		1				
119	450352-3	SHOULDER SLEEVE 6		1				
120	266095-5	TAPPING SCREW 5X55		1				
121	232209-8	LEAF SPRING		1				
122	263027-3	RUBBER PIN 4		1				
123	451427-1	SWITCH LEVER		1				
124	265995-6	TAPPING SCREW 4X18		1				
125	651418-4	SWITCH ST115A-40		1				
126	654531-7	TERMINAL BLOCK 2P		1				
127	687169-3	STRAIN RELIEF		1				
128	265995-6	TAPPING SCREW 4X18		1				
129A	692637-3	POWER SUPPLY CORD 1.5-2-5.0		1				
129B	664276-9	POWER SUPPLY CORD AWG#16-2-5.0		1				
130	682560-0	CORD GUARD 10		1				
131	265995-6	TAPPING SCREW 4X18		1				
132	451445-9	HANDLE COVER		1				
133	423411-6	RUBBER PLATE		1				
A01	194683-7	GREASE VESSEL SET		1				
A02	443122-7	CLOTH		1				
A03	824904-0	PLASTIC CARRYING CASE		1				
C10	162271-8	LATCH		2				

