



HK

HONG KONG

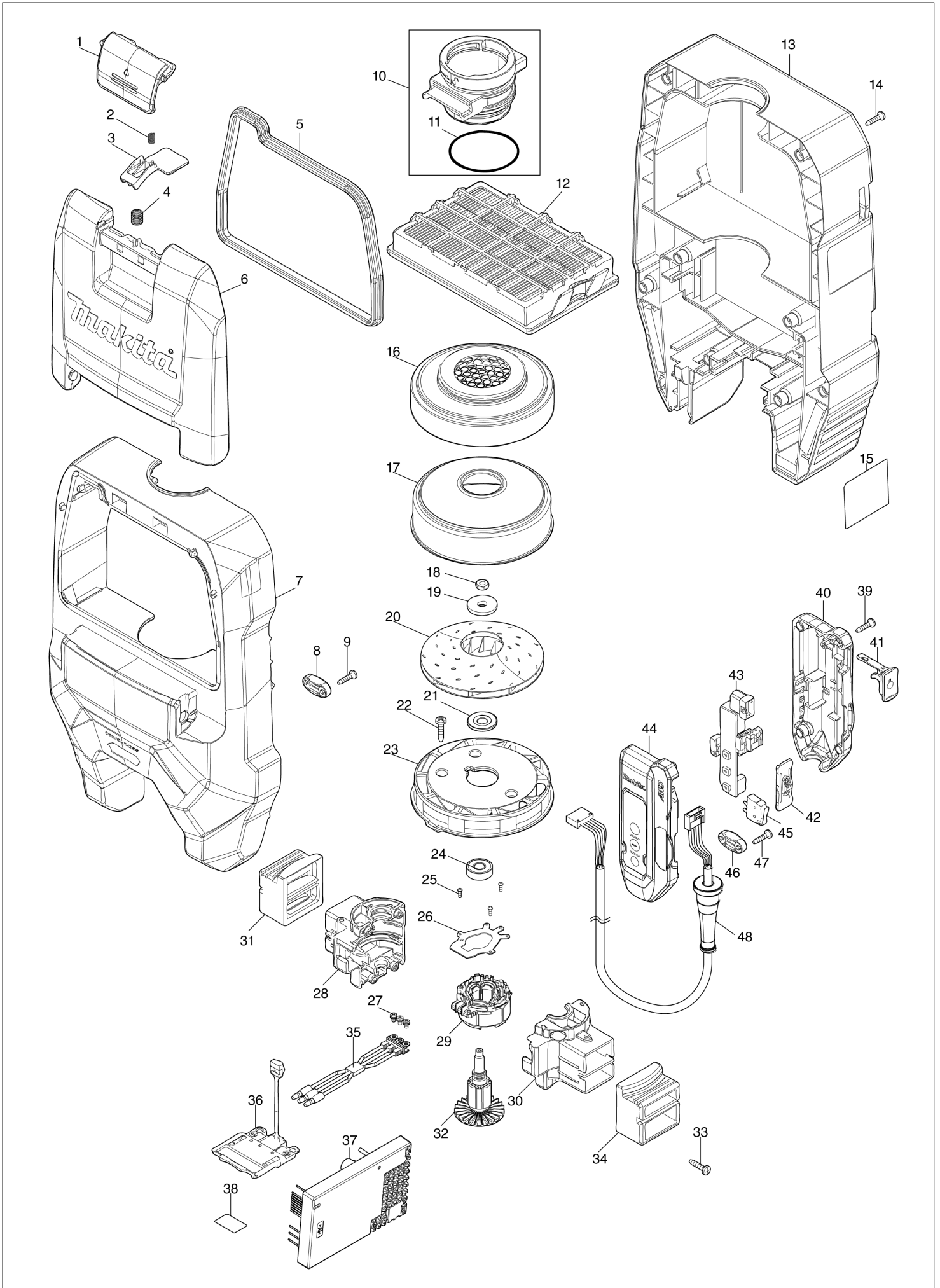
Diagram / Parts List

VC009G

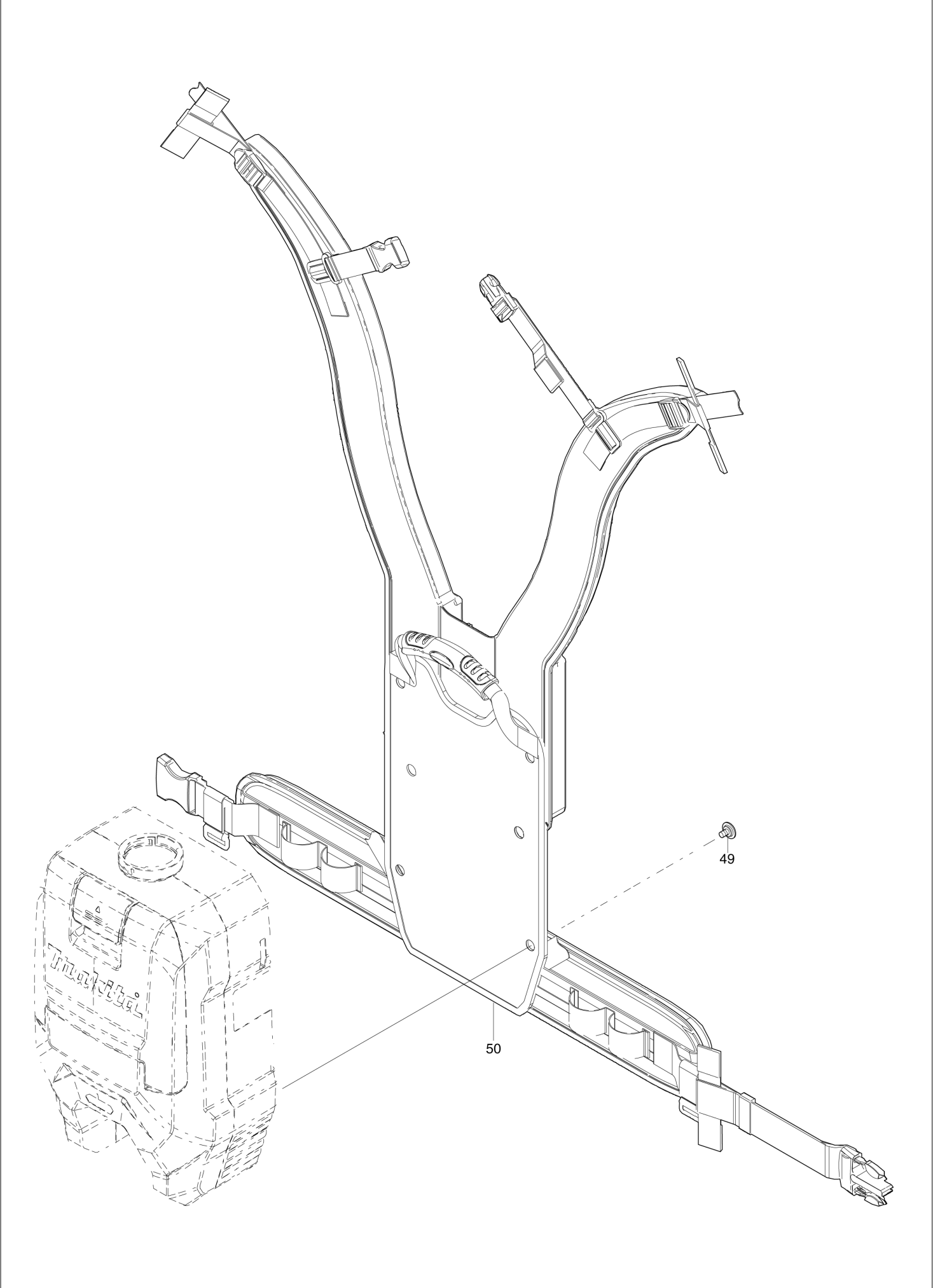
DC BACKPACK VACUUM CLEANER



(HK) VC009G / DC BACKPACK VACUUM CLEANER



(HK) VC009G / DC BACKPACK VACUUM CLEANER



HK

HONG KONG

VC009G / DC BACKPACK VACUUM CLEANER

| Item | Sub | Parts No. | Parts Description | Qty | I/C | E/C No. | Close No. | Remark |
|------|-----|-----------|----------------------------|-----|-----|---------|-----------|--------|
| 001 | | 413E53-4 | HOOK | 1 | | | | |
| 002 | | 232389-0 | COMPRESSION SPRING 5 | 1 | | | | |
| 003 | | 412268-0 | STOPPER PLATE | 1 | | | | |
| 004 | | 234391-9 | COMPRESSION SPRING 8 | 1 | | | | |
| 005 | | 422850-7 | SEAL | 1 | | | | |
| 006 | | 413E54-2 | DUST BOX COVER | 1 | | | | |
| 007 | | 136648-3 | UPPER HOUSING ASSY | 1 | | | | |
| | C10 | 263005-3 | RUBBER PIN 6 | 2 | | | | |
| | C20 | 8025F3-0 | XGT LOGO LABEL | 1 | | | | |
| 008 | | 687124-5 | STRAIN RELIEF | 1 | | | | |
| 009 | | 266326-2 | TAPPING SCREW 4X18 | 2 | | | | |
| 010 | | 135771-1 | INLET ASS'Y | 1 | | | | |
| | D10 | | INC. 11 | | | | | |
| 011 | | 213655-4 | O RING 56 | 1 | | | | |
| 012 | | 191Y27-2 | MAIN FILTER H SET | 1 | | | | |
| 013 | | 141H48-2 | LOWER HOUSING COMPLETE | 1 | | | | |
| | C10 | 422854-9 | REAR BLOCK FILTER A | 2 | | | | |
| | C20 | 422855-7 | REAR BLOCK FILTER B | 1 | | | | |
| 014 | | 266326-2 | TAPPING SCREW 4X18 | 8 | | | | |
| 015 | | 8116L0-3 | VC009G NAME PLATE | 1 | | | | |
| 016 | | 422851-5 | SUPPORT RING | 1 | | | | |
| 017 | | 347965-8 | FAN COVER | 1 | | | | |
| 018 | | 252268-6 | HEX. NUT M6 | 1 | | | | |
| 019 | | 253752-4 | FLAT WASHER 8 | 1 | | | | |
| 020 | | 240178-9 | FAN 104 | 1 | | | | |
| 021 | | 313062-2 | FLANGE | 1 | | | | |
| 022 | | 266326-2 | TAPPING SCREW 4X18 | 3 | | | | |
| 023 | | 413E42-9 | FAN BASE | 1 | | | | |
| 024 | | 210005-4 | BALL BEARING 608DDW | 1 | | | | |
| 025 | | 266490-9 | TAPPING SCREW PT 2X6 | 3 | | | | |
| 026 | | 620H32-5 | CONTROLLER B | 1 | | | | |
| 027 | | 652069-6 | FLAT HEAD SCREW M3X6 | 3 | | | | |
| 028 | | 183V01-6 | MOTOR HOUSING SET | 1 | | | | |
| | D10 | | INC. 30 | | | | | |
| 029 | | 629B16-4 | STATOR | 1 | | | | |
| 030 | | 183V01-6 | MOTOR HOUSING SET | 1 | | | | |
| | D10 | | INC. 28 | | | | | |
| 031 | | 422856-5 | SUPPORT A | 1 | | | | |
| 032 | | 619746-3 | ROTOR | 1 | | | | |
| 033 | | 266326-2 | TAPPING SCREW 4X18 | 4 | | | | |
| 034 | | 422856-5 | SUPPORT A | 1 | | | | |
| 035 | | 638A29-8 | LEAD UNIT | 1 | | | | |
| 036 | | 632P49-4 | TERMINAL UNIT | 1 | | | | |
| 037 | | 620H31-7 | CONTROLLER | 1 | | | | |
| 038 | | 8116L8-7 | VC009G SERIAL NO. LABEL | 1 | | | | |
| 039 | | 266130-9 | TAPPING SCREW BIND PT 3X16 | 4 | | | | |
| 040 | | 183V69-2 | SWITCH CASE SET | 1 | | | | |
| | C10 | 8045G2-5 | SWITCH LABEL | 1 | | | | |
| | C20 | 818F56-3 | SWITCH LABELB | 1 | | | | |
| | D10 | | INC. 44 | | | | | |
| 041 | | 140G18-2 | CAP COMPLETE | 1 | | | | |
| | C10 | 213A05-9 | O-RING16 | 1 | | | | |
| 042 | | 458714-9 | SWITCH LEVER | 1 | | | | |
| 043 | | 620H34-1 | SWITCH CIRCUIT | 1 | | | | |
| 044 | | 183V69-2 | SWITCH CASE SET | 1 | | | | |
| | C10 | 8045G2-5 | SWITCH LABEL | 1 | | | | |
| | C20 | 818F56-3 | SWITCH LABELB | 1 | | | | |
| | D10 | | INC. 40 | | | | | |
| 045 | | 632E26-0 | SWITCH UNIT | 1 | | | | |
| 046 | | 687124-5 | STRAIN RELIEF | 1 | | | | |
| 047 | | 266326-2 | TAPPING SCREW 4X18 | 2 | | | | |
| 048 | | 699194-2 | POWER SUPPLY CORD UNIT | 1 | | | | |
| 049 | | 265008-3 | + FLAT HEAD SCREW M5 | 4 | | | | |
| 050 | | 162B37-8 | HARNESS | 1 | | | | |
| A01 | | A-34235 | HOSE COMP 28-1.5 | 1 | | | | |

Y:VC009GZ01(N)
Z:VC009GZ(N)

Interchange

O : Yes

X : No

< : the new part can be substituted for the current.

> : the current part can be substituted for the new.

S : Interchangeable as a set.

