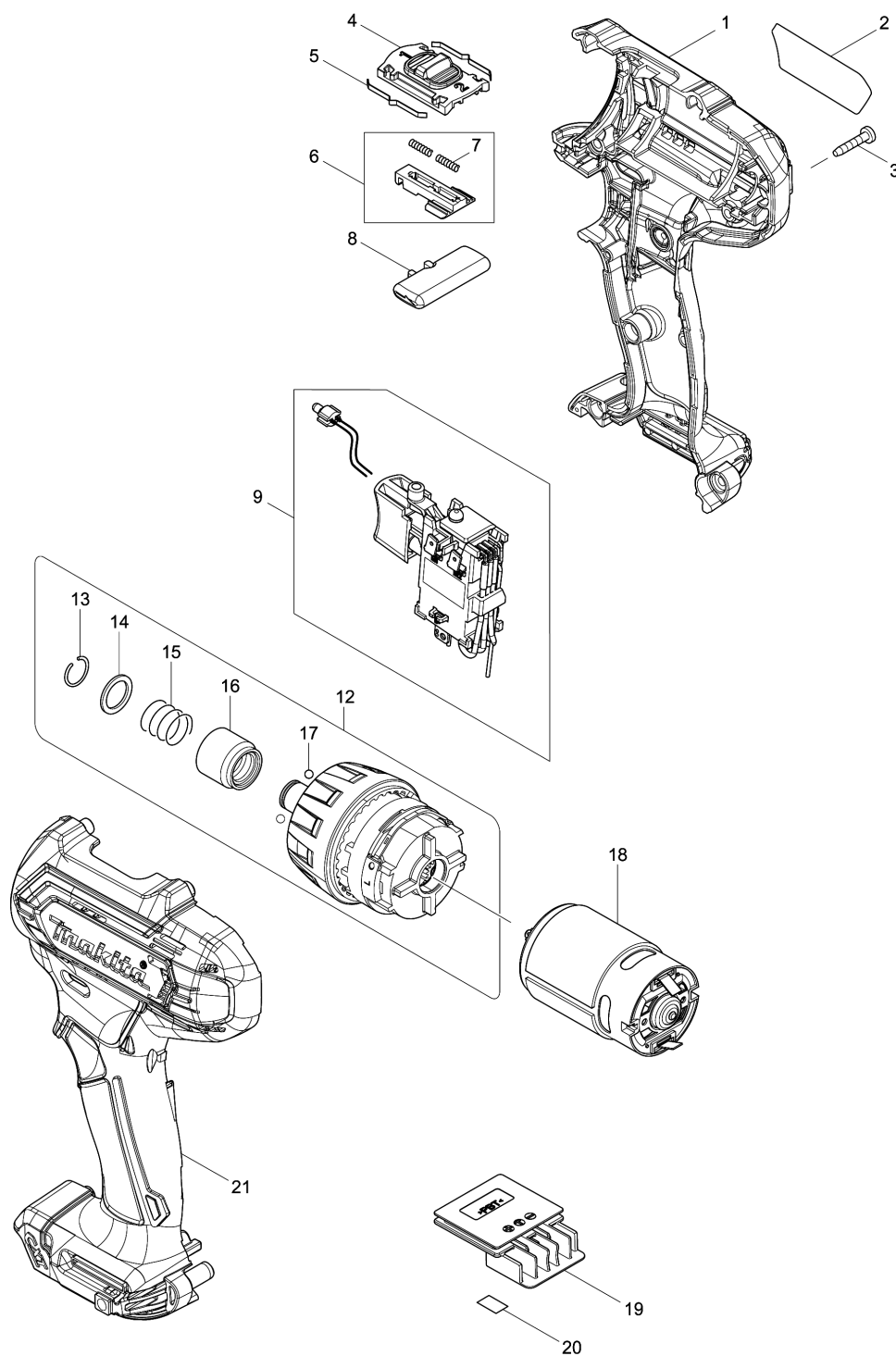


Model No.DF033D CORDLESS DRIVER DRILL



Model No.DF033D CORDLESS DRIVER DRILL

Item	Parts No.	Description	I/C	Qty	New/Old	Opt. 1	Opt. 2	Note
001	183K90-5	機殼 - DF333D		1				
C10	252126-6	六角鎖緊螺母M4-7 - DBN500		2				
D10		INC. 21						
002	855E57-4	DF033D NAME PLATE		1				
003	266429-2	自攻螺釘3X16 - TD0100		9				
004	459026-3	變速桿 - DF333D		1				
005	232493-5	片簧 - DF333D		2				
006	127127-2	變速桿組件 - DF333D		1				
D10		INC. 7						
007	233025-1	壓簧2 - BJR240		2				
008	456039-5	正、反轉換杆 - DF331D		1				
009	632J76-5	開關 - TD110D		1				
C10	620625-0	LED CIRCUIT		1				
C20	688161-2	LINE FILTER		1				
012	127126-4	齒輪箱 - DF033D		1	*			
D10		INC. 13-17			*			
012-1	127126-4	齒輪箱 - DF033D	O	1				
D10		INC. 13-17						
013	231965-7	彈性環10 - TD020D		1				
014	347004-4	鑽頭墊片 - DF032		1				
015	233005-7	壓簧13 - 6903VDW		1				
016	326677-6	套筒 - DF032		1				
017	216019-1	鋼球3 - TD0100		2				
018	629395-8	直流電動機 - DF333D		1				
019	644813-5	端子 - DF331D		1				
020	855E64-7	DF033D SERIAL NO. LABEL		1				
021	183K90-5	機殼 - DF333D		1				
C10	252126-6	六角鎖緊螺母M4-7 - DBN500		2				
D10		INC. 1						
A01	251314-2	十字頭螺絲M4X12 - BHP451		1				
A02	346909-5	掛勾 - HP331D		1				
A03	784202-3	PHILLIPS BIT 2-45		1	*			
A03-1	784043-7	+BIT 2-45	O	1				
A04Y	821661-1	PLASTIC CARRYING CASE		1				
C10	417724-5	LATCH		2				
A05Y	818P08-4	DF033DSAE MODEL NO. LABEL		1				
A08Y	456128-6	電池蓋 12V MAX		1				
A09Y	***DC10SB	DC10SB BATTERY CHARGER		1				
D10		COMPO-PARTS						
A10Y	197396-9	鋰電池BL1021B 12V		2	*			
A10-1Y	197396-9	鋰電池BL1021B 12V	O	2				
E01	632N11-7	LINE FILTER UNIT		1				

Please order the parts with part number.

Print Date 25/4/2022