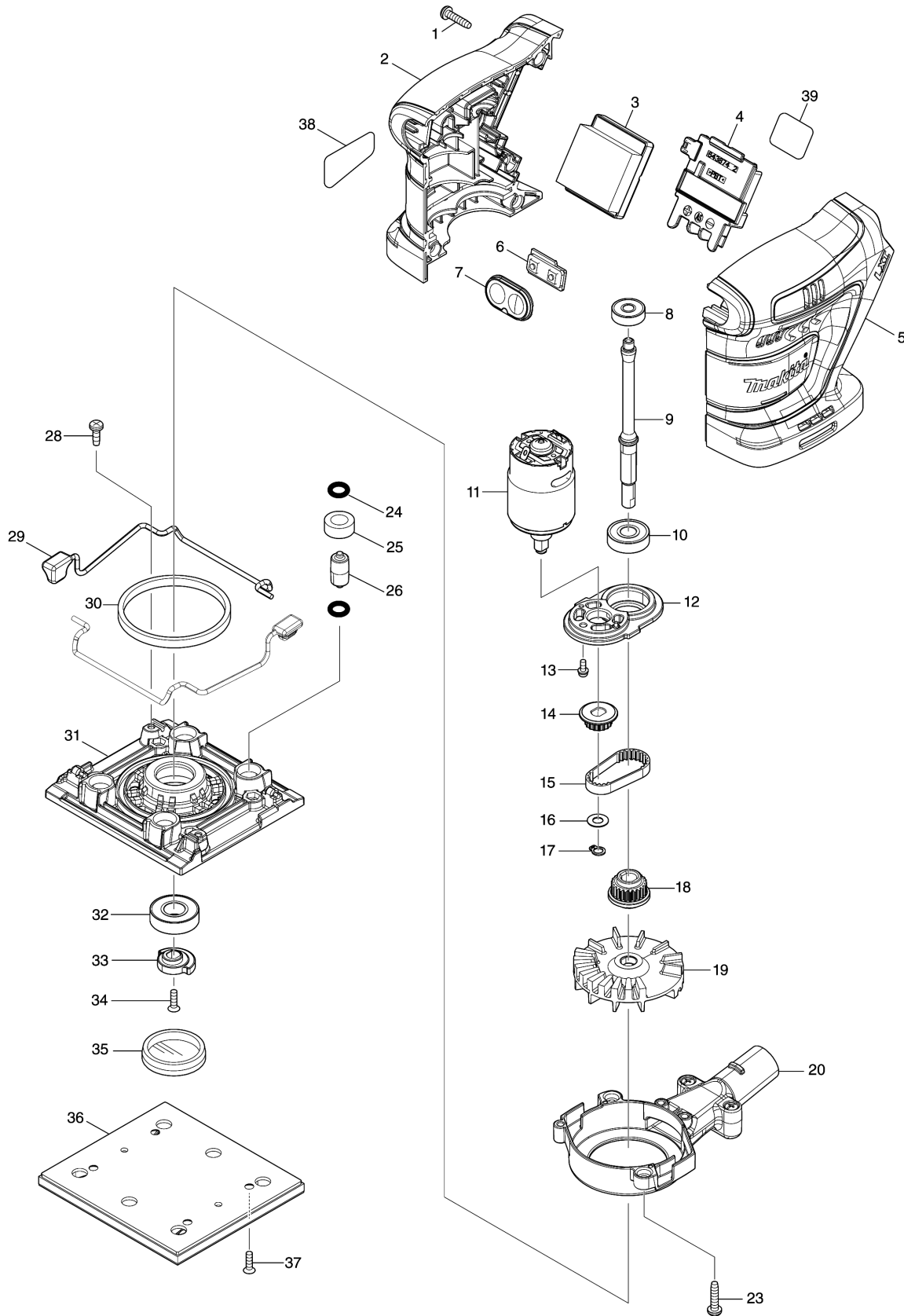


Model No.DBO480 CORDLESS FINISHING SANDER



Model No.DBO480 CORDLESS FINISHING SANDER

Item	Parts No.	Description	I/C	Qty	New/Old	Opt. 1	Opt. 2	Note
001	265995-6	自攻螺釘4X18		5				
002	183U93-9	HOUSING SET		1				
C10	263005-3	橡膠銷6 - 2414B		2				
D10		INC. 5						
003	632S79-3	CONTROLLER UNIT		1				
C10	688164-6	LINE FILTER		1				
004	643874-2	端子 - DGA413		1				
005	183U93-9	HOUSING SET		1				
C10	263005-3	橡膠銷6 - 2414B		2				
D10		INC. 2						
006	632K92-3	開關 - DRT50		1				
007	141B15-1	SWITCH PLATE COMPLETE		1				
008	210143-2	BALL BEARING 626ZZ		1				
009	327807-2	SPINDLE		1				
010	211491-2	球軸承 609DDW		1				
011	629B07-5	DC MOTOR		1				
012	413619-0	MOTOR BRACKET		1				
013	265173-8	PAN HEAD SCREW M3X8		1				
014	222200-4	PULLEY 7.5-15.5		1				
015	225105-7	SYNCHRO BELT 6-108		1				
016	253715-0	平墊圈6 - 4300SB		1				
017	961002-0	擋圈S-6 - 9523NB		1				
018	222199-3	PULLEY 7.5-20.3		1				
019	240224-8	FAN 63		1				
020	122B40-1	FAN GUIDE ASSEMBLY		1				
023	265995-6	自攻螺釘4X18		2				
024	213983-7	O形圈4 - BO3710		8				
025	424023-8	海棉套桶9 - BO4565		4				
026	318151-8	支架 - MT920		4				
028	266020-6	自攻螺絲4X12 - 5007NB		2				
029	162259-8	LEVER COMPLETE		2				
030	424684-4	海綿6X185X3 - BO4555		1				
031	413618-2	BASE		1				
C10	252176-1	HEX. NUT M4		4				
032	211131-2	球軸承6001DDW - 9403		1				
033	313141-6	平衡器 - BO4555		1				
034	912117-6	沉頭螺絲M4X12		1				
035	422711-1	CAP 36		1				
036	191Y24-8	PAD COMPLETE SET		1				
037	912117-6	沉頭螺絲M4X12		4				
038	8115T2-9	DBO480 NAME PLATE		1				
039	8115T5-3	DBO480 SERIAL NO. LABEL		1				

Please order the parts with part number.

Print Date 15/3/2022

Model No.DBO480 CORDLESS FINISHING SANDER

Item	Parts No.	Description	I/C	Qty	New/Old	Opt. 1	Opt. 2	Note
A01	191Y22-2	TRIANGLE PLATE COMPLETE SET		1				
A03	192352-4	ABRASIVE PAPER SET		2				
A04	192655-6	ABRASIVE PAPER SET		1				
A05	135222-4	集塵袋 - DBO180		1				
C10	166078-4	集塵袋 - DBO180		1				
C20	257202-1	圈25 - DBO180		1				
C30	416063-0	集塵袋管 - DBO180		1				
C40	416064-8	集塵管 - DBO180		1				
A06	450066-4	PUNCH PLATE		1				
A07Y	8048R5-4	DBO480RTJ INDICATION LABEL		1				
A08Y	8048R6-2	DBO480RTJ PLASTIC CASE LABEL		2				
A09Y	821550-0	萬用連結塑膠箱 395X295X155MM		1				
C10	453974-8	連結箱扣		4				
A10Y	8351G2-0	INNER TRAY		1				
A11Y	***DC18RC	DC18RC FAST CHARGER		1				
D10		COMPO-PARTS						
A12Y	197280-8	鋰電池BL1850B 18V		2				
A13Y	450128-8	電池膠蓋片18V		1				

Please order the parts with part number.

Print Date 15/3/2022