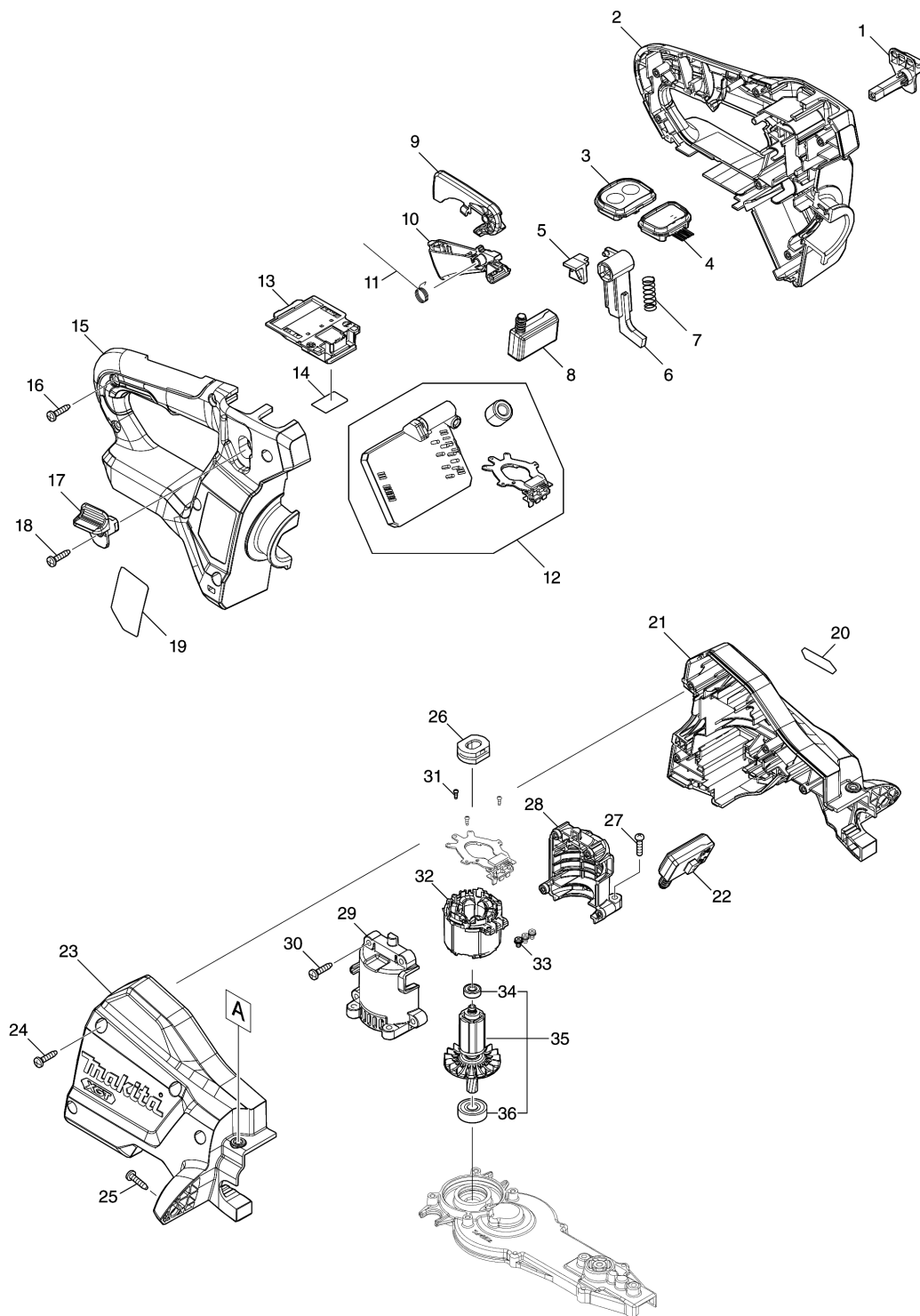
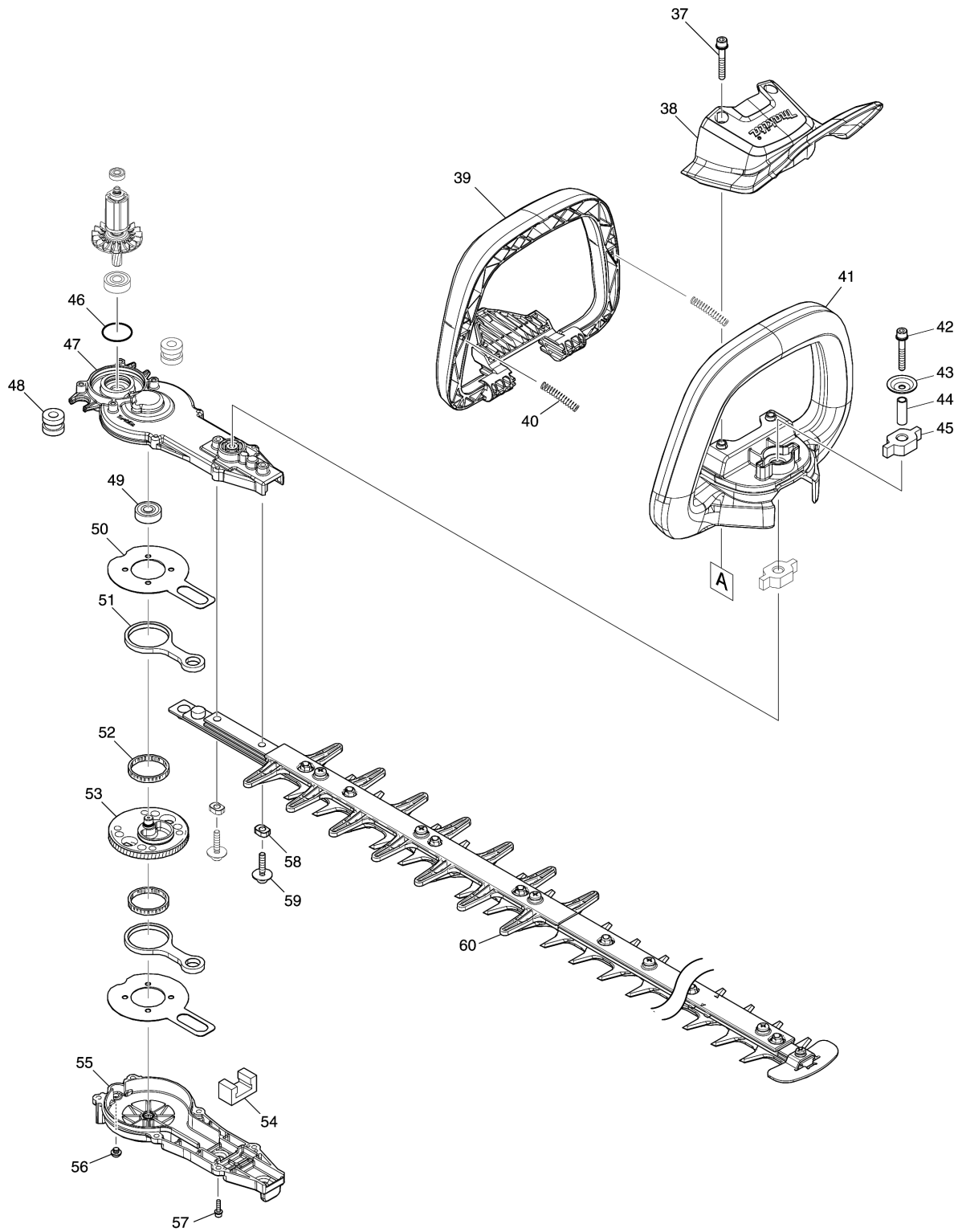


Model No.UH004G 600MM CORDLESS HEDGE TRIMMER



Model No.UH004G 600MM CORDLESS HEDGE TRIMMER



Model No.UH004G 600MM CORDLESS HEDGE TRIMMER

Item	Parts No.	Description	I/C	Qty	New/Old	Opt. 1	Opt. 2	Note
001	458406-0	鎖定桿L - DUH501		1				
002	183T66-6	HANDLE SET		1				
C10	263005-3	橡膠銷6 - 2414B		2				
C20	8034N8-3	CAUTION LABEL		1				
D10		INC. 15						
003	141D66-6	SWITCH CIRCUIT COMPLETE E		1				
C10	8034K3-2	SWITCH LABEL		1				
004	140W63-3	INDICATION CIRCUIT COMPLETE		1				
005	458570-7	刀架 - DUH501		1				
006	458405-2	鎖臂 - DUH501		1				
007	234204-4	COMPRESSION SPRING 8		1				
008	651083-9	SWITCH C3XA-1PSPM		1				
009	458403-6	鬆開桿 - DUH501		1				
010	413792-6	SWITCH LEVER R		1				
011	232454-5	扭簧10 - DUH501		1				
012	620E54-7	CONTROLLER		1				
C10	688163-8	LINE FILTER		1				
C20	688164-6	LINE FILTER		1				
013	632P64-8	TERMINAL UNIT		1				
014	811H99-6	UH004G SERIAL NO. LABEL		1				
015	183T66-6	HANDLE SET		1				
C10	263005-3	橡膠銷6 - 2414B		2				
C20	8034N8-3	CAUTION LABEL		1				
D10		INC. 2						
016	266326-2	自攻螺釘4X18 - HR2810		6				
017	458407-8	鎖定桿R - DUH501		1				
018	266326-2	自攻螺釘4X18 - HR2810		1				
019	811H95-4	UH004G NAME PLATE		1				
020	8025F3-0	XGT LOGO LABEL		1				
021	183S95-3	HOUSING SET		1				
C10	424344-8	DAMPER		4				
D10		INC. 23						
022	651083-9	SWITCH C3XA-1PSPM		1				
023	183S95-3	HOUSING SET		1				
C10	424344-8	DAMPER		4				
D10		INC. 21						
024	266326-2	自攻螺釘4X18 - HR2810		4				
025	266326-2	自攻螺釘4X18 - HR2810		2				
026	422261-6	橡膠套筒 - DUH501		1				
027	911128-8	盤頭螺絲M4X16 - LS1440		4				

Please order the parts with part number.

Print Date 23/8/2021

Model No.UH004G 600MM CORDLESS HEDGE TRIMMER

Item	Parts No.	Description	I/C	Qty	New/Old	Opt. 1	Opt. 2	Note
028	183S94-5	MOTOR HOUSING SET		1				
	D10	INC. 29						
029	183S94-5	MOTOR HOUSING SET		1				
	D10	INC. 28						
030	266326-2	自攻螺釘4X18 – HR2810		4				
031	266490-9	TAPPING SCREW PT 2X6		3				
032	629A75-2	STATOR		1				
033	652069-6	十字槽平頭螺絲M3X6 – DTD170		3				
034	211157-4	BALL BEARING 695ZZ		1				
035	519694-5	ROTOR ASSY		1				
	D10	INC. 34,36						
036	210005-4	球軸承608DDW – 9901		1				
037	265182-7	十字平頭螺絲M5X25 – BUH550		2				
038	458399-1	保護罩 – DUH501		1				
039	458402-8	開關拉桿F – DUH501		1				
040	233222-9	壓簧5 – DUH501		2				
041	413791-8	FRONT GRIP E		1				
042	251476-6	內六角頭螺栓M5X35 WITH WR-		1				
043	253416-0	平墊圈5 – DUH501		1				
044	257678-2	套筒6 – DUH501		1				
045	422260-8	橡膠套筒8 – DUH501		2				
046	213961-7	O形圈22 – DJR185		1				
047	141C41-6	GEAR HOUSING COMPLETE		1				
	C10	263002-9 橡膠銷4 – 63004		1				
	C20	424344-8 DAMPER		1				
048	422725-0	RUBBER SLEEVE 8		2				
049	211032-4	球軸承608ZZ – 1900B		1				
050	347361-0	摩擦墊 – DUH501		2				
051	347662-6	CONNECTING ROD		2				
052	212229-8	NEEDLE CAGE 315		2				
053	141C40-8	GEAR COMPLETE		1				
054	443159-4	SEAL		1				
055	141C46-6	GEAR HOUSING COVER COMPLETE		1	*			
055-1	141H42-4	GEAR HOUSING COVER COMPLETE	○	1				
056	266559-9	H.S.BUTTON HEAD BOLT M6X4		1				
057	922128-3	內六角螺栓M4X16		6				

Please order the parts with part number.

Print Date 23/8/2021

Model No.UH004G 600MM CORDLESS HEDGE TRIMMER

Item	Parts No.	Description	I/C	Qty	New/Old	Opt. 1	Opt. 2	Note
058	257439-0	套筒5 - DUH751		2				
059	265A89-3	H.S.H.BOLT M5X25 WITH WR		2				
060	191R53-9	SHEAR BLADE 600 SET		1				
C10	199450-5	潤滑油組 - DUH501		1				
C20	412908-0	GUARD E		1				
C30	459115-4	SPACER 600H		1				
C40	915211-3	BINDING HEAD SCREW M5X12		5				
D10		INC, 58						
A01	412911-1	BLADE COVER 600		1				
A02	195246-2	SAFETY GOGGLE		1				
A04X	***DC40RA	DC40RA FAST CHARGER		1				
D10		COMPO-PARTS						
A04Y	***DC40RA	DC40RA FAST CHARGER		1				
D10		COMPO-PARTS						
A05X	191B26-6	BATTERY BL4040 SET		2				
A05Y	191B36-3	BATTERY BL4025 SET		2				
A06X	412393-7	BATTERY COVER		2				
A06Y	412393-7	BATTERY COVER		1				
E01	807811-2	SOUND 96DB LABEL		1				

Please order the parts with part number.

Print Date 23/8/2021