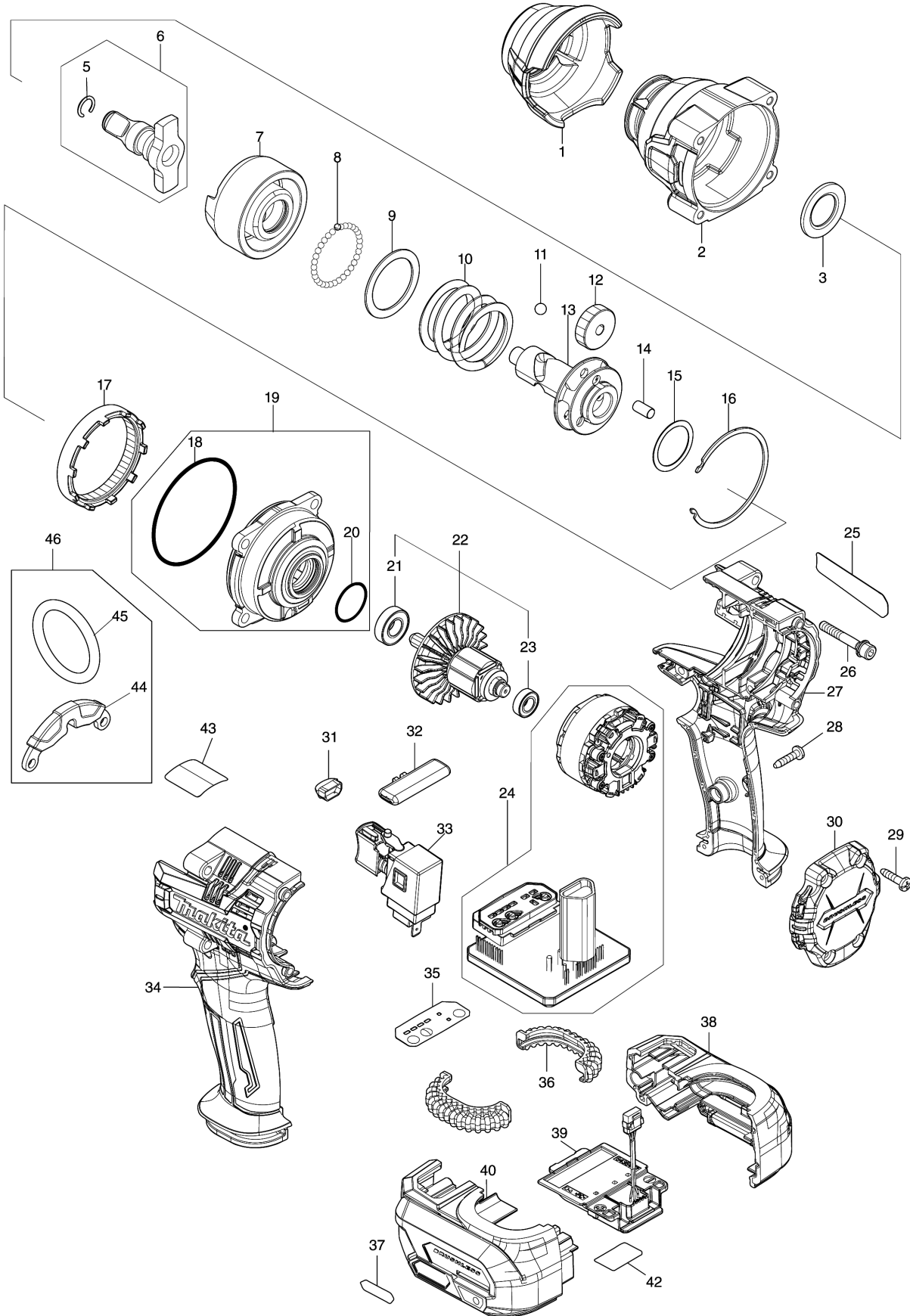


# Model No.TW007G CORDLESS IMPACT WRENCH





## Model No.TW007G CORDLESS IMPACT WRENCH

Item	Parts No.	Description	I/C	Qty	New/Old	Opt. 1	Opt. 2	Note
001	422709-8	BUMPER		1				
002	141A99-3	HAMMER CASE COMPLETE		1				
003	253481-9	FLAT WASHER 20		1				
005	231907-1	彈性環10 - 6905B		1				
006	136410-6	ANVIL E ASSY		1				
D10		INC. 5						
007	327804-8	HAMMER		1				
008	216001-0	鋼球3.5 - 6800DBV		33				
009	267340-1	FLAT WASHER 32		1				
010	232708-0	COMPRESSION SPRING 34		1				
011	216007-8	鋼球6.4 - 6905B		2				
012	227891-6	SPUR GEAR 28		3				
013	327805-6	SPINDLE		1				
014	256211-7	PIN 6		3				
015	267494-4	平墊圈 25 - DTW1001		1	*			
015-1	267127-1	平墊圈26 - HR2010	O	1				
016	347832-7	RETAINER		1				
017	227892-4	INTERNAL SPUR GEAR 65		1				
018	213709-7	O形圈63 - DBN500		1				
019	136420-3	INTERNAL GEAR CASE ASSY		1				
D10		INC. 18,20						
020	213961-7	O形圈22 - DJR185		1				
021	210069-8	球軸承6900DDW - HS300D		1				
022	519691-1	ROTOR ASSY		1				
D10		INC. 21,23						
023	210261-6	BALL BEARING 688LLB		1				
024	629A72-8	STATOR COMPLETE		1				
025	811F51-2	TW007G NAME PLATE		1				
026	251476-6	內六角頭螺柱M5X35 WITH WR-		4				
027	183S74-1	HOUSING SET		1				
D10		INC. 34						
028	266326-2	自攻螺釘4X18 - HR2810		7				
029	266326-2	自攻螺釘4X18 - HR2810		4				
030	413602-7	REAR COVER		1				
031	620F48-8	LED CIRCUIT		1				
032	413603-5	F/R CHANGE LEVER		1				
033	140U03-9	SWITCH COMPLETE		1				
C10	424774-3	SWITCH COVER		1				
034	183S74-1	HOUSING SET		1				
D10		INC. 27						

Please order the parts with part number.

Print Date 23/8/2021

## Model No.TW007G CORDLESS IMPACT WRENCH

Item	Parts No.	Description	I/C	Qty	New/Old	Opt. 1	Opt. 2	Note
035	8012S9-8	SWITCH LABEL		1				
036	424773-5	橡膠墊 - TW1001D		2				
037	8005T5-8	XGT LOGO LABEL		1				
038	183S77-5	BATTERY HOUSING SET		1				
C10	263005-3	橡膠銷6 - 2414B		2				
C20	252126-6	六角鎖緊螺母M4-7 - DBN500		2				
D10		INC. 40						
039	632R99-1	TERMINAL UNIT		1				
040	183S77-5	BATTERY HOUSING SET		1				
C10	263005-3	橡膠銷6 - 2414B		2				
C20	252126-6	六角鎖緊螺母M4-7 - DBN500		2				
D10		INC. 38						
042	811F57-0	TW007G SERIAL NO. LABEL		1				
A01	251314-2	十字頭螺絲M4X12 - BHP451		1				
A02	346949-3	HOOK		1				
A03X	821551-8	萬用連結塑膠箱 395X295X210MM		1				
C10	453974-8	連結箱扣		4				
A03Y	821551-8	萬用連結塑膠箱 395X295X210MM		1				
C10	453974-8	連結箱扣		4				
A04X	835K85-1	INNER TRAY		1				
A04Y	835K85-1	INNER TRAY		1				
A05Y	8033G0-4	TW007GD201 INDICATION LABEL		1				
A06Y	8033G1-2	TW007GD201 PLASTIC CASE LABEL		2				
A07X	412393-7	BATTERY COVER		2	*			
A07Y	412393-7	BATTERY COVER		1				
A07-1X	412393-7	BATTERY COVER	<	1				
A08X	***DC40RA	DC40RA FAST CHARGER		1				
D10		COMPO-PARTS						
A08Y	***DC40RA	DC40RA FAST CHARGER		1				
D10		COMPO-PARTS						
A09X	191B26-6	BATTERY BL4040 SET		2				
A09Y	191B36-3	BATTERY BL4025 SET		2				

Please order the parts with part number.

Print Date 23/8/2021