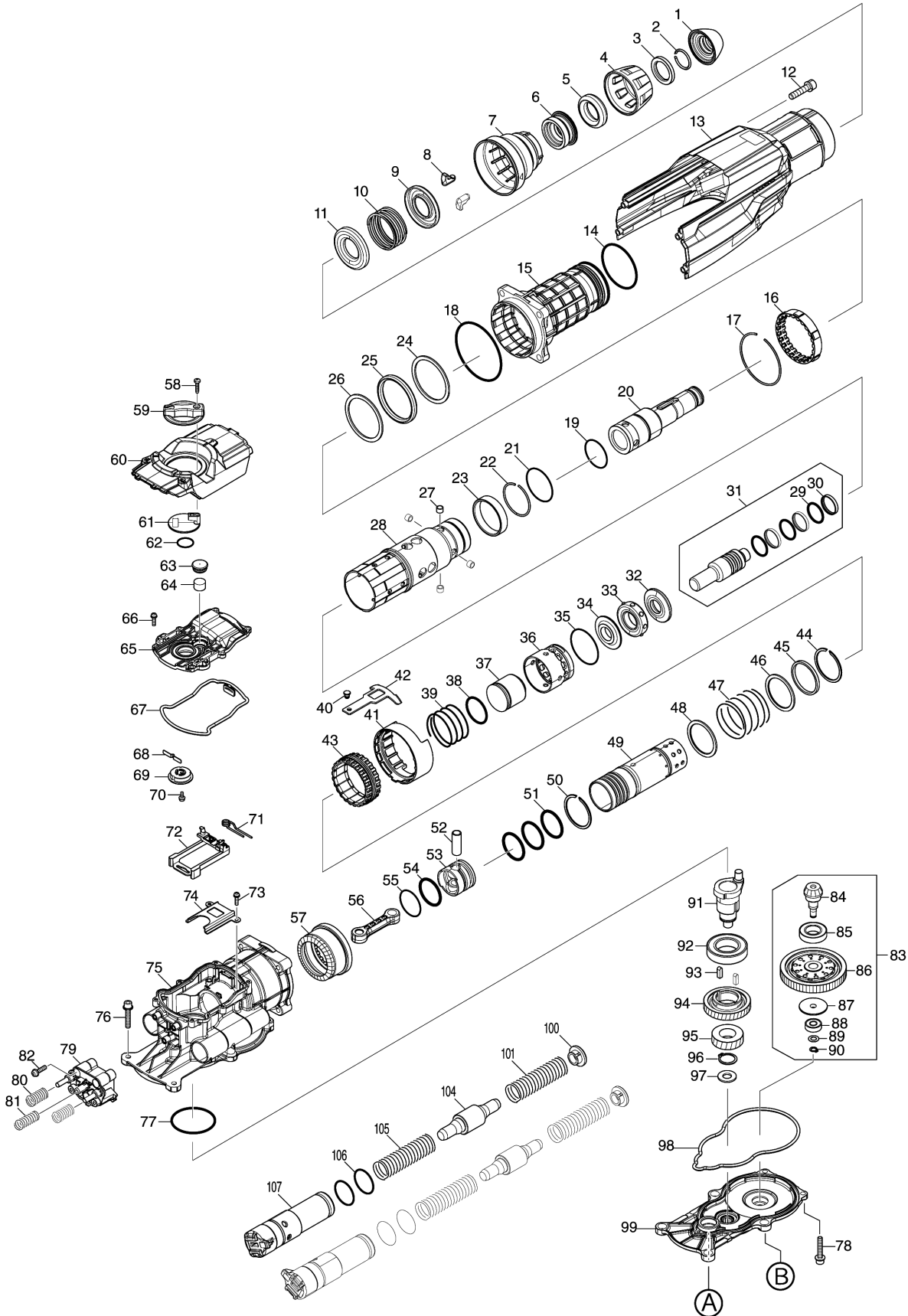
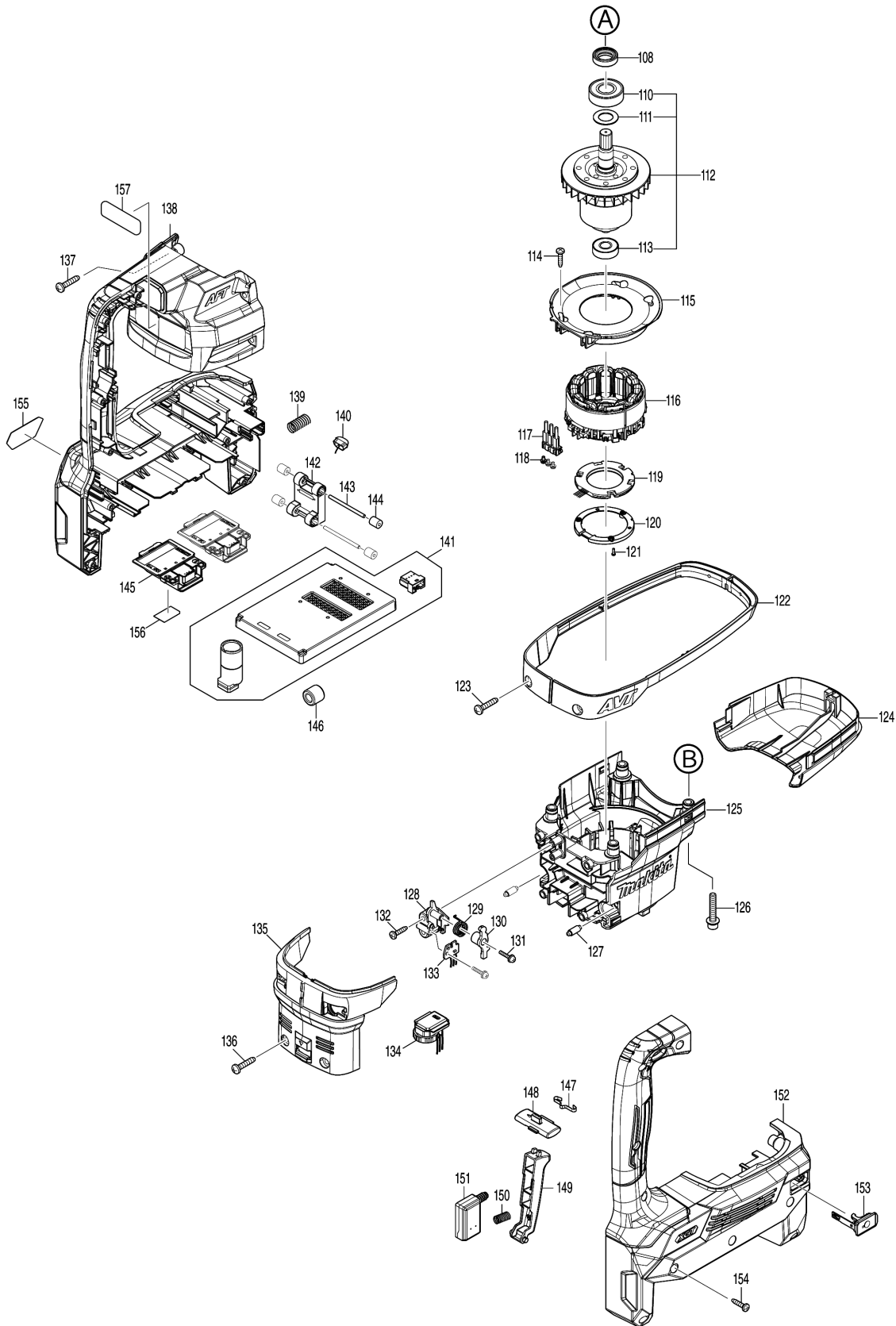


Model No.HR006G 52MM CORDLESS ROTARY HAMMER



Model No.HR006G 52MM CORDLESS ROTARY HAMMER



Model No.HR006G 52MM CORDLESS ROTARY HAMMER

Item	Parts No.	Description	I/C	Qty	New/Old	Opt. 1	Opt. 2	Note
001	286292-7	TOOL HOLDER CAP		1				
002	233948-3	彈性環25 - HR4511C		1				
003	257367-9	圈28 - HR5212C		1				
004	454767-6	鑽夾蓋 - HR5212C		1				
005	262172-1	橡膠環29 - HR5212C		1				
006	327868-2	CHUCK RING		1				
007	454768-4	鬆緊蓋		1				
008	310178-4	扣碼 - HR4511C		2				
009	346751-4	彈簧檔 - HR5212C		1				
010	234317-1	壓簧49 - HR5212C		1				
011	346751-4	彈簧檔 - HR5212C		1				
012	922456-6	HEX. SOCKET HEAD BOLT M8X35		4				
013	140Y01-7	HOUSING COVER COMPLETE		1				
C10	810100-6	CAUTION LABEL		1				
014	213664-3	O RING 60		1				
015	142408-3	汽缸 - HR5212C		1				
C10	213663-5	O形圈55 - HK0500		1				
C20	213778-8	OIL SEAL 42		1				
C30	214603-6	PLANE BEARING 49		1				
C40	259056-2	RING SPRING 54		1				
016	454769-2	鎖緊套筒 - HR5212C		1				
017	259057-0	彈性環74 - HR5212C		1				
018	213766-5	O-RING 78		1				
019	213789-3	O形圈38 - HR5212C		1				
020	327735-1	TOOL HOLDER A		1				
021	213779-6	O形圈45 - HR5212C		1				
022	231989-3	RING SPRING 46		1				
023	257353-0	圈49 - HR5212C		1				
024	267477-4	平墊圈60 - HR5212C		1				
025	262171-3	橡膠環60 - HR5212C		1				
026	267477-4	平墊圈60 - HR5212C		1				
027	268308-0	銷 9 - HR5212C		4				
028	326362-1	鑽套B - HR5212C		1				
029	213394-6	O形圈23 - HR5001C		3				
030	213431-6	氟化物墊圈28 - HR5001C		3				
031	136413-0	IMPACT BOLT ASSY		1				
D10		INC. 29,30						
032	324756-4	RING 20		1				
033	424000-0	RUBBUR RING 24		1				
034	327734-3	SHOULDER WASHER 20		1				

Please order the parts with part number.

Print Date 8/6/2021

Model No.HR006G 52MM CORDLESS ROTARY HAMMER

Item	Parts No.	Description	I/C	Qty	New/Old	Opt. 1	Opt. 2	Note
035	213783-5	O形圈48 - HR5212C		1				
036	413263-3	SLIDE SLEEVE		1				
037	327731-9	STRIKER		1				
038	213781-9	O形圈33 - HR5212C		1				
039	234318-9	壓簧45 - HR5212C		1				
040	256548-2	FLAT FILLISTER HEAD PIN 6		1				
041	454779-9	導圈 - HR5212C		1				
042	346749-1	連接片 - HR5212C		1				
043	313272-1	傳動導套 - HR5212C		1				
044	257994-2	擋圈44 - HR5212C		1				
045	257355-6	圈44 - HR5212C		1				
046	267478-2	平墊圈 - HR5212C		1				
047	234319-7	壓簧46 - HR5212C		1				
048	267478-2	平墊圈 - HR5212C		1				
049	327730-1	CYLINDER 40		1				
050	257994-2	擋圈44 - HR5212C		1				
051	213460-9	O形圈35 - HM1201		3				
052	257820-5	套筒9 - HR5212C		1				
053	312A68-3	PISTON		1				
054	213782-7	O形圈30 - HR5212C		1				
055	213460-9	O形圈35 - HM1201		1				
056	413261-7	CONNECTING ROD		1				
057	227625-7	螺旋斜齒輪33 - HR5212C		1				
058	265995-6	自攻螺釘4X18		1				
059	454326-6	CHANGE LEVER		1				
060	312A70-6	CRANK CAP COVER		1				
061	454345-2	CRANK LEVER		1				
062	213262-3	O形圈 - 4100NH		1				
063	424607-2	過濾器蓋 - HR5212C		1				
064	443129-3	FILTER		1				
065	454764-2	曲軸箱蓋 - HR5212C		1				
066	911128-8	盤頭螺絲M4X16 - LS1440		6				
067	424608-0	密封圈 B - HR5212C		1	*			
067-1	422787-8	SEAL RING B	<	1				
068	232280-2	LEAF SPRING		1				
069	413827-3	LINK LEVER		1				
070	911511-9	PAN HEAD SCREW M4X10		1				
071	233611-8	扭簧 - HR5212C		1				
072	454778-1	連桿導板 - HR5212C		1				
073	911128-8	盤頭螺絲M4X16 - LS1440		2				
074	346748-3	軌道 - HR5212C		1				

Please order the parts with part number.

Print Date 8/6/2021

Model No.HR006G 52MM CORDLESS ROTARY HAMMER

Item	Parts No.	Description	I/C	Qty	New/Old	Opt. 1	Opt. 2	Note
075	140Y00-9	CRANK HOUSING A COMPLETE		1	*			
075-1	141H08-4	CRANK HOUSING A COMPLETE	<	1				
076	922359-4	內六角頭螺栓M6X35-HR5212C		2				
077	213662-7	O形圈55 - HM1812		1				
078	922359-4	內六角頭螺栓M6X35-HR5212C		2				
079	413264-1	SPRING BASE		1				
080	232662-8	COMPRESSION SPRING 12		2				
081	232664-4	COMPRESSION SPRING 10		1				
082	911233-1	盤頭螺絲M5X20 - 5012B		3				
083	127823-2	TORQUE LIMITER ASSEMBLY		1				
D10		INC. 84-90						
084	227628-1	螺旋斜齒輪10 - HR5212C		1				
085	210256-9	BALL BEARING 6904LLB		1				
086	142410-6	力矩限制器 - HR5212C		1				
087	324727-1	SHOULDER WASHER 8		1				
088	210005-4	球軸承608DDW - 9901		1				
089	253215-0	平墊圈8		1				
090	961004-6	擋圈S-8		1				
091	327729-6	CRANK SHAFT		1				
092	210255-1	BALL BEARING 6006LLB		1				
093	254229-2	KEY 5		2				
094	227788-9	斜齒圓柱齒輪46 - HR5212C		1				
095	227336-4	直齒圓柱齒輪26 - HR5212C		1				
096	961102-6	RETAINING RING S-22		1				
097	253843-1	FLAT WASHER 12		1				
098	424609-8	密封圈A - HR5212C		1	*			
098-1	422786-0	SEAL RING A	<	1				
099	142409-1	齒輪箱 - HR5212C		1				
100	454774-9	簧片 - HR5212C		2				
101	233497-0	COMPRESSION SPRING 15		2				
104	326375-2	平衡組件 - HR5212C		2				
105	233497-0	COMPRESSION SPRING 15		2				
106	213953-6	O形圈24 - HR1830		4				
107	141E52-3	HOLDER COMPLETE		2				
108	213231-4	擋圈 - BHR261		1				
110	211228-7	球軸承6202DDW - HM1302		1				
111	267215-4	FLAT WASHER 15		1				

Model No.HR006G 52MM CORDLESS ROTARY HAMMER

Item	Parts No.	Description	I/C	Qty	New/Old	Opt. 1	Opt. 2	Note
112	519652-1	ROTOR ASSY		1				
D10		INC. 110,111,113						
113	210059-1	球軸承 6000DDW - GA5021C		1				
114	265995-6	自攻螺釘4X18		4				
115	413260-9	BAFFLE PLATE		1				
116	629A27-3	STATOR		1				
117	632R89-4	LEAD UNIT		1				
118	652031-1	PAN HEAD SCREW M3X6		3				
119	620E26-2	CONTROLLER B		1				
120	687B69-9	STOPPER		1				
121	266490-9	TAPPING SCREW PT 2X6		3				
122	454780-4	擋護板 - HR5212C		1				
123	266041-8	自更螺絲PT5X25 5277NB		2				
124	454763-4	齒輪箱蓋 - HR5212C		1				
125	413256-0	MOTOR HOUSING		1				
126	922359-4	內六角頭螺栓M6X35- HR5212C		2	*			
126-1	922359-4	內六角頭螺栓M6X35- HR5212C	O	2				
127	256380-4	鎖銷 4-6 - DHR400		2				
128	412985-2	BASE		1				
129	232643-2	TORSION SPRING 13		1				
130	140W48-9	LEVER COMPLETE		1				
131	263046-9	TAPPING SCREW 3X14		2				
132	265995-6	自攻螺釘4X18		2				
133	620E28-8	SENSOR CIRCUIT		1				
134	620E29-6	DIAL CIRCUIT		1				
135	140X97-2	MOTOR HOUSING COVER COMPLETE		1				
C10	422660-2	RUBBER SHEET		1				
136	266041-8	自更螺絲PT5X25 5277NB		2				
137	266041-8	自更螺絲PT5X25 5277NB		4				
138	183S32-7	HOUSING SET		1				
C10	263005-3	橡膠銷6 - 2414B		8				
C20	347755-9	GUARD RAIL		2				
C30	422646-6	CAP 10		2				
C40	347782-6	PLATE		4				
D10		INC. 152						
139	232663-6	COMPRESSION SPRING 8		1				
140	620E27-0	LED CIRCUIT		1				
141	620E25-4	CONTROLLER		1				

Model No.HR006G 52MM CORDLESS ROTARY HAMMER

Item	Parts No.	Description	I/C	Qty	New/Old	Opt. 1	Opt. 2	Note
142	620E30-1	ACCELEROMETER CIRCUIT		1				
143	256886-2	ROD 3		2				
144	422472-3	SPONGE SLEEVE 3		4				
145	632R98-3	TERMINAL UNIT		2				
146	688163-8	LINE FILTER		1				
147	232152-1	片簧 - HR2600		1				
148	412953-5	TRIGGER LOCK		1				
149	458097-7	開關拉桿 - DHR400		1				
150	232418-9	壓簧5 - DHR400		1				
151	651083-9	SWITCH C3XA-1PSPM		1				
152	183S32-7	HOUSING SET		1				
C10	263005-3	橡膠銷6 - 2414B		8				
C20	347755-9	GUARD RAIL		2				
C30	422646-6	CAP 10		2				
C40	347782-6	PLATE		4				
D10		INC. 138						
153	140F99-0	蓋 - DGA701/DGA901		1				
C10	213218-6	O型圈 - HM1306		1				
C20	818H07-8	CAP LABEL		1				
154	265995-6	自攻螺釘4X18		10				
155	8029M5-9	XGT LOGO LABEL		1				
156	811996-8	HR006G SERIAL NO. LABEL		1				
157	811990-0	HR006G NAME PLATE		1				
A01	194683-7	油杯 - DHR263		1				
A02	331955-1	DEPTH GAUGE		1				
A03	443122-7	CLOTH		1				
A04	135629-4	SIDE GRIP ASSEMBLY		1				
C10	158131-0	手柄總成36 - HM0871C		1				
C20	234226-4	COMPRESSION SPRING 6		1				
C30	266163-4	圓頭方頸螺栓M8X80 - HR4002		1				
C40	313223-4	RACK GUIDE		1				
C50	344492-6	板塊 - HR4002		1				
C60	346750-6	GRIP SPRING 90		1				
C70	453114-8	LOCK BUTTON		1				
C80	454781-2	SIDE GRIP BASE 90		1				
A05	135283-4	SIDE HANDLE 90 ASSEMBLY		1				
C10	252640-2	WING NUT M8		1				
C20	265439-6	HEX. BOLT M8X150		1				
C30	318430-4	SIDE HANDLE BASE 90A		1				
C40	318431-2	SIDE HANDLE BASE 90B		1				

Model No.HR006G 52MM CORDLESS ROTARY HAMMER

Item	Parts No.	Description	I/C	Qty	New/Old	Opt. 1	Opt. 2	Note
C50	417002-3	SIDE HANDLE CAM		2				
C60	417003-1	SIDE HANDLE		1				
C70	951166-8	彈性圓柱銷5-24 - LC1210		1				
A06	821848-5	PLASTIC CASE		1				
A07	8030B5-1	HR006GZ PLASTIC CASE LABEL		2				

Please order the parts with part number.

Print Date 8/6/2021