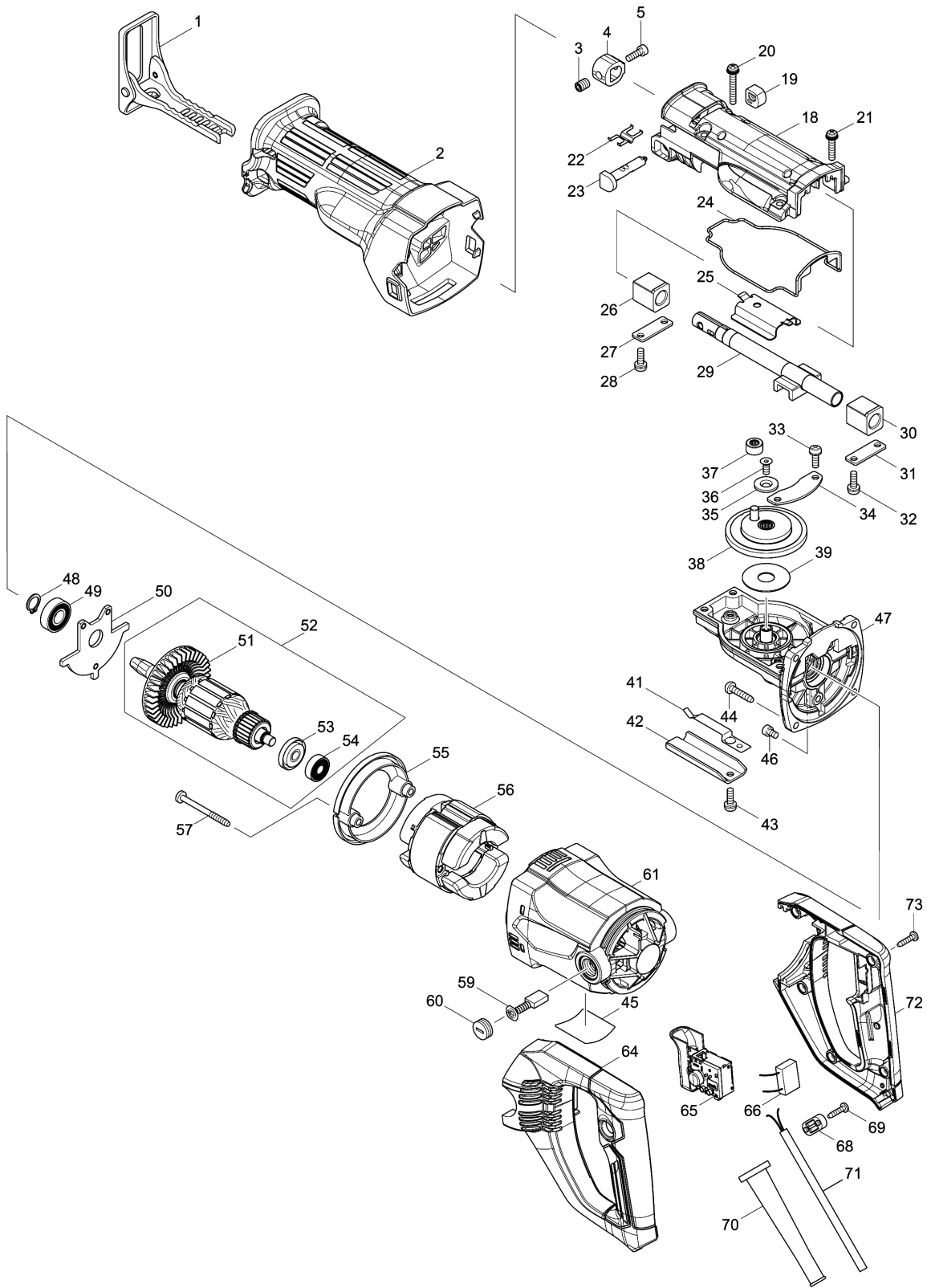


Model No.M4500 RECIPRO SAW



## Model No.M4500 RECIPRO SAW

Item	Parts No.	Description	I/C	Qty	New/Old	Opt. 1	Opt. 2	Note
001	163541-8	SHOE		1				
002	424588-0	INSULATION COVER		1				
003	266202-0	螺絲M8X10 - JR3030		1				
004	313075-3	鋸片夾 - JR3000V		1				
005	266090-5	螺絲M5X15 - JR3000V		1				
018	142177-6	齒輪箱蓋 - MT450		1				
C10	213151-2	油封圈14 - JR3050T		1				
C20	213174-0	X形密封圈14 - JR3030		1				
019	418806-6	防塵帽 - JR3050T		1				
020	911258-5	盤頭螺絲M5X35 - 2414NB		2				
021	911243-8	盤頭螺絲M5X25		2				
022	232221-8	片簧A - JR3050T		1				
023	162236-0	推桿 - JR3050T		1				
024	424586-4	SEAL RING		1				
025	346714-0	SLIDE PLATE		1				
026	214169-6	滑動軸承14 - JR3030		1				
027	341462-6	板塊 - JR3020		1				
028	911225-0	平頭螺絲M5X16WM - JR3000V		2				
029	168821-7	刀架 - MT450		1	*			
029-1	161600-2	SLIDER	<	1				
030	214169-6	滑動軸承14 - JR3030		1				
031	341462-6	板塊 - JR3020		1				
032	911225-0	平頭螺絲M5X16WM - JR3000V		2				
033	911225-0	平頭螺絲M5X16WM - JR3000V		2				
034	346715-8	GEAR PLATE		1				
035	267475-8	FLAT WASHER 6		1				
036	251969-3	HEX. SOCKET HEAD BOLT M5X12		1				
037	212959-1	滾針軸承708 - BJR181		1				
038	142176-8	GEAR COMPLETE		1				
039	267474-0	FLAT WASHER 14		1				
041	232222-6	片簧 - DJR182		1				
042	346713-2	SHOE GUIDE		1				
043	911225-0	平頭螺絲M5X16WM - JR3000V		1				
044	266459-3	自攻螺釘 M5X25 - MT905		4				
045	852C68-8	M4500 NAME PLATE		1				
046	265530-0	內六角頭螺栓M5X8 - BHX2500		3				
047	142178-4	GEAR HOUSING COMPLETE		1				
C10	931302-2	六角螺母M6 - 2414B		1				
C20	941151-9	平墊圈6 - 3703		1				
048	961052-5	擋圈S-12		1				
049	210107-6	球軸承 6001ZZ - DBN500		1				
050	285737-2	BEARING RETAINER		1				
051	241863-7	風扇70 - HR3000C		1				
052	513898-1	轉子220V - MT450		1				
D10		INC. 51,53,54						

Please order the parts with part number.

Print Date 8/4/2021

## Model No.M4500 RECIPRO SAW

Item	Parts No.	Description	I/C	Qty	New/Old	Opt. 1	Opt. 2	Note
053	681644-1	樹脂墊片 - MT110		1				
054	210046-0	球軸承608ZZ - MT60		1				
055	454596-7	BAFFLE PLATE		1				
056	594629-7	定子220-240V - MT450		1				
C10	654220-4	端子 - MT410		2	*			
C11	654449-2	RING TERMINAL	O	2				
C20	654501-6	連接器P-1.25 -B04540		2	*			
C21	654485-8	PARALLEL SPLICE	>	2				
057	266418-7	TAPPING SCREW 5X55		2				
059	191963-2	碳刷CB-303		1				
060	643750-0	碳刷蓋		2				
061	143588-8	機殼 - M4500/ M4501		1				
C10	643708-9	碳刷座5-11 - 4100NH		2				
064	187719-9	HANDLE SET		1				
D10		INC. 72						
065	650714-7	開關 - MT450		1				
068	687123-7	軟線壓板 - MT922		1				
069	266326-2	自攻螺釘4X18 - HR2810		2				
070	682572-3	軟線護套8 - GA7010C		1				
071	692006-8	軟線1.0-2-2.0		1				
072	187719-9	HANDLE SET		1				
D10		INC. 64						
073	266326-2	自攻螺釘4X18 - HR2810		5				
A01	783221-6	HEX.WRENCH 5/32"		1				
A02	194068-7	RECIPRO SAW BLADE SET		1				

Please order the parts with part number.

Print Date 8/4/2021