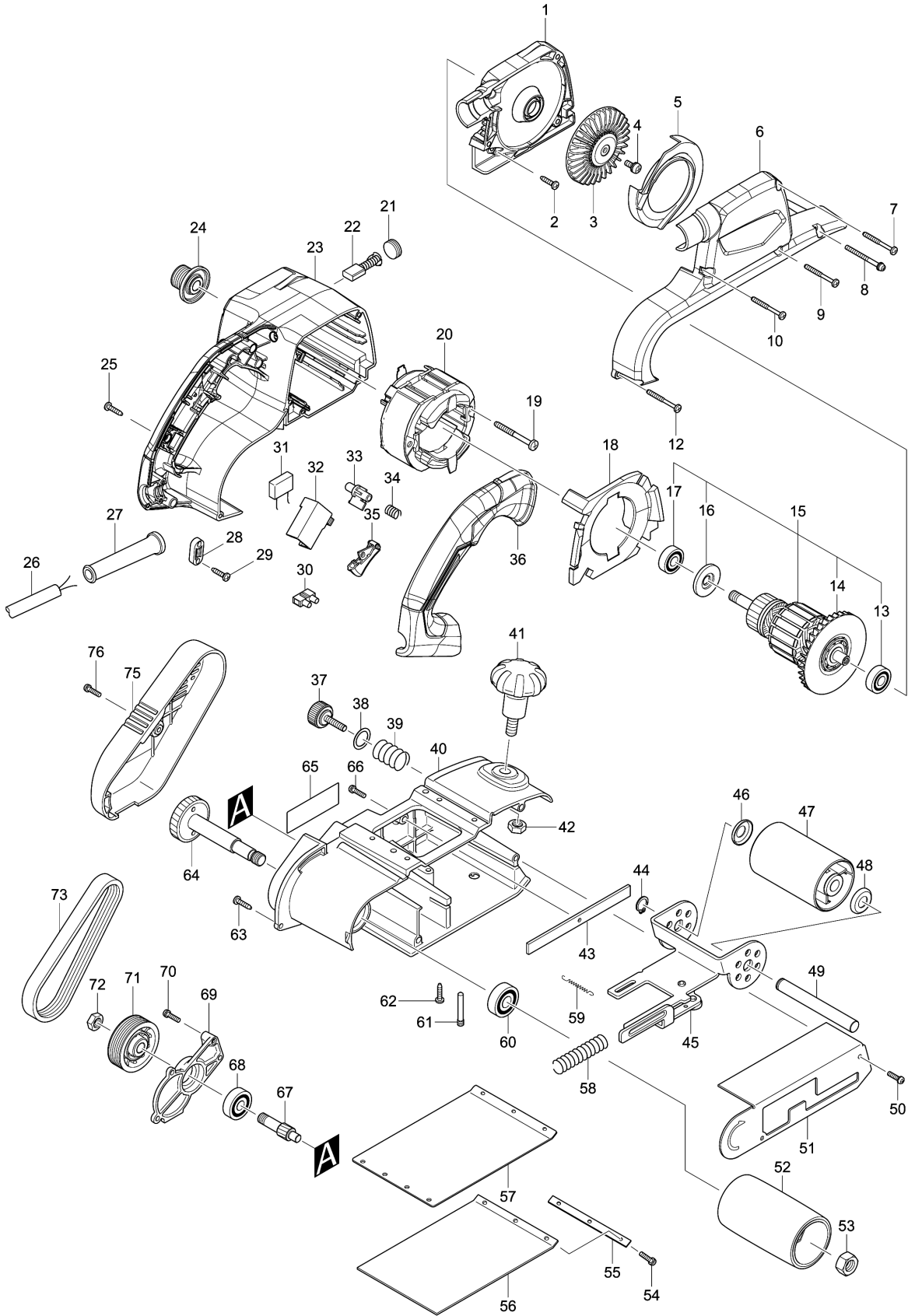


Model No.M9400 BELT SANDER



Model No.M9400 BELT SANDER

Item	Parts No.	Description	I/C	Qty	New/Old	Opt. 1	Opt. 2	Note
001	318921-5	DUST COLLECTOR BRACKET		1				
002	266326-2	TAPPING SCREW 4X18		2				
003	241662-7	FAN 80		1				
004	265170-4	+PAN HEAD SCREW M5X12		1				
005	419580-9	SEPARATE		1				
006	319296-5	DUST COLLECTOR COVER		1				
007	266560-4	TAPPING SCREW 4X40		1				
008	265169-9	+PAN HEAD SCREW M4X45		1				
009	266560-4	TAPPING SCREW 4X40		1				
010	266560-4	TAPPING SCREW 4X40		1				
012	266560-4	TAPPING SCREW 4X40		1				
013	211480-7	BALL BEARING 6000ZZ		1				
014	240013-1	FAN 84		1				
015	510291-0	ARMATURE ASS'Y 220V		1				
D10		INC. 13,14,16,17						
016	681649-1	INSULATION WASHER		1				
017	211480-7	BALL BEARING 6000ZZ		1				
018	453968-3	BAFFLE PLATE		1				
019	266397-9	TAPPING SCREW BIND 5X50		2				
020	596298-0	FIELD ASS'Y 220-240V		1				
C10	654220-4	RING TERMINAL		2	*			
C11	654449-2	RING TERMINAL	O	2				
C20	654501-6	CONNECTOR P-1.25		2	*			
C21	654485-8	PARALLEL SPLICE	>	2				
C11	654449-2	RING TERMINAL		2				
C21	654485-8	PARALLEL SPLICE		2				
021-1	643650-4	BRUSH HOLDER CAP 6.5-13.5		2				
022	181044-0	CARBON BRUSH CB-153		1				
023-1A	141762-2	MOTOR HOUSING COMPLETE		1				
023-1B	143258-9	MOTOR HOUSING COMPLETE		1				
C10	643653-8	BRUSH HOLDER 6.5-13.5		2				
024	222168-4	V-PULLEY 6-23		1				
025	266326-2	TAPPING SCREW 4X18		4				
026A	665852-2	POWER SUPPLY CORD 1.0-2-2.0		1	*			
026-1A	695454-0	POWER SUPPLY CORD 1.0-2-2.0	O	1	*			
026-2A	665852-2	POWER SUPPLY CORD 1.0-2-2.0	O	1				
026-2B	665852-2	POWER SUPPLY CORD 1.0-2-2.0		1				
027	682540-6	CORD GUARD 9.3-90		1				
028	687124-5	STRAIN RELIEF		1				
029	266326-2	TAPPING SCREW 4X18		2				
032	650545-4	SWITCH TGA115CT-2		1				
033	418871-5	LOCK ON BUTTON		1				
034	233423-9	COMPRESSION SPRING 9		1				
035	418873-1	SWITCH LEVER		1				

Please order the parts with part number.

Print Date 8/4/2021

Model No.M9400 BELT SANDER

Item	Parts No.	Description	I/C	Qty	New/Old	Opt. 1	Opt. 2	Note
036-1A	453966-7	HANDLE COVER		1				
036-1B	455996-4	HANDLE COVER		1				
037	265763-7	THUMB SCREW M6X25		1				
038	267356-6	FLAT WASHER 16		1				
039	231225-7	COMPRESSION SPRING 16		1				
040	158070-4	FRAME COMPLETE		1				
041	271325-1	KNOB 55		1				
042	252172-9	HEX. NUT M10		1				
043	345726-0	EDGE SLIDER		1				
044	961052-5	RETAINING RING S-12		1				
045	163477-1	TENSION ROLLER ARM		1				
046	253922-5	CUP WASHER 12		1				
047	142719-6	TENSION ROLLER COMPLETE		1				
C10	214116-7	PLANE BEARING 12		2				
C20	424614-5	SPONGE SHEET 42-42		1				
048	253922-5	CUP WASHER 12		1				
049	323829-0	TENSION ROLLER SHAFT		1				
050	265112-8	+PAN HEAD SCREW M4X18		2				
051	344622-9	SAFETY COVER		1				
052	162248-3	DRIVING ROLLER		1				
053	252087-0	HEX. NUT M12-19		1				
054	265112-8	+PAN HEAD SCREW M4X18		3				
055	344623-7	STRAP WASHER		1				
056	424057-1	CARBON PLATE		1				
057	424058-9	RUBBER PLATE		1				
058	233235-0	COMPRESSION SPRING 12		1				
059	231819-8	TENSION SPRING 4		1				
060	211477-6	BALL BEARING 6201ZZ		1				
061	321980-0	SUPPORT PIN		1				
062	266326-2	TAPPING SCREW 4X18		4				
063	266326-2	TAPPING SCREW 4X18		1				
064	158072-0	HELICAL GEAR 42 COMPLETE		1				
065	850W26-8	M9400 NAME PLATE		1				
066	265112-8	+PAN HEAD SCREW M4X18		1				
067	226634-3	HELICAL GEAR 10		1				
068	211476-8	BALL BEARING 6200ZZ		1				
069	318074-0	GEAR COVER		1				
070	265112-8	+PAN HEAD SCREW M4X18		3				
071	222169-2	V-PULLEY 6-52.9		1				
072	252172-9	HEX. NUT M10		1				
073	225091-2	POLY V-BELT 6-355		1				
075	419581-7	BELT COVER		1				
076	265112-8	+PAN HEAD SCREW M4X18		1				
A01	123328-0	DUST BAG ASS'Y		1				
C10	419876-8	FASTENER		1				

Please order the parts with part number.

Print Date 8/4/2021

Model No.M9400 BELT SANDER

Item	Parts No.	Description	I/C	Qty	New/Old	Opt. 1	Opt. 2	Note
A02	345729-4	STEP		1				
A03	424057-1	CARBON PLATE		1				
A04	794135-4	ABRASIVE BELT 100X610 WA80		1				

Please order the parts with part number.

Print Date 8/4/2021