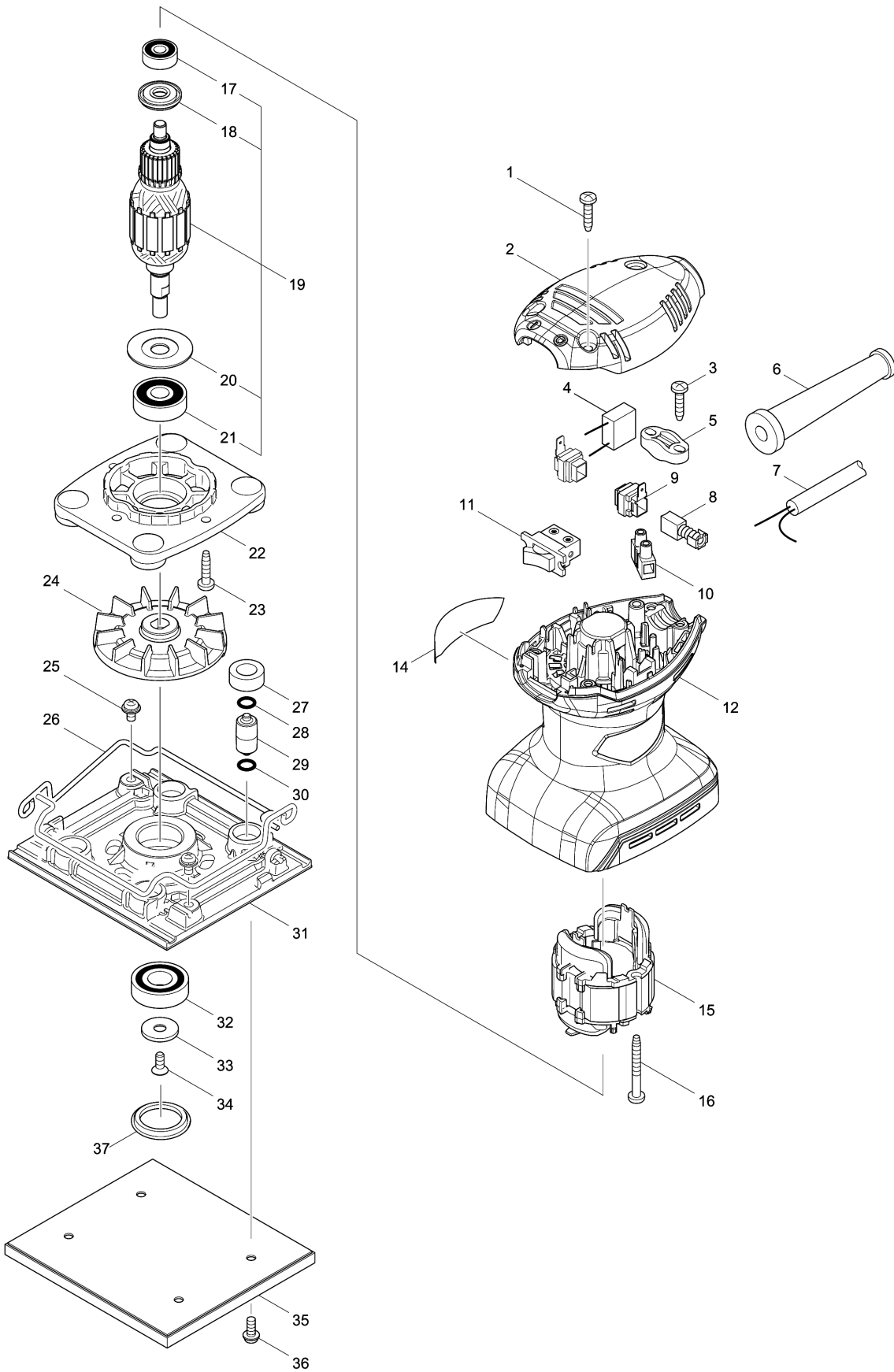


Model No.M9200 FINISHING SANDER



## Model No.M9200 FINISHING SANDER

Item	Parts No.	Description	I/C	Qty	New/Old	Opt. 1	Opt. 2	Note
001	266326-2	TAPPING SCREW 4X18		3				
002	453856-4	TOP COVER		1				
003	266326-2	TAPPING SCREW 4X18		2				
005	687123-7	STRAIN RELIEF		1				
006	682569-2	CORD GUARD 8-85		1				
007	666257-9	POWER SUPPLY CORD 0.75-2-2.0		1				
008	191962-4	CARBON BRUSH CB-419		1				
009	643995-0	BRUSH HOLDER		2				
010-1	654532-5	TERMINAL BLOCK 1P		1				
011	651527-9	SWITCH		1				
012A	455843-9	MOTOR HOUSING		1				
012B	456016-7	MOTOR HOUSING		1				
014	850W67-4	M9200 NAME PLATE		1				
015	635098-4	FIELD 220V		1				
016	266351-3	TAPPING SCREW 4X35		2				
017	210137-7	BALL BEARING 606ZZ		1				
018	681675-0	INSULATION WASHER		1				
019	517688-4	ARMATURE ASSEMBLY 220V		1				
D10		INC. 17,18,20,21						
020	267806-1	WASHER 9		1				
021	211092-6	BALL BEARING 629DDW		1				
022	419917-0	BEARING BOX		1				
023	266326-2	TAPPING SCREW 4X18		4				
024	241669-3	FAN 65		1				
025	266455-1	+PAN HEAD SCREW M4X12		2				
026	324781-5	LEVER		2				
027	424023-8	SPONGE SLEEVE 9		4				
028	213983-7	O RING 4		4				
029	318151-8	FOOT		4				
030	213983-7	O RING 4		4				
031	419918-8	BASE		1				
032	210107-6	BALL BEARING 6001ZZ		1				
033	267349-3	FLAT WASHER 6		1				
034A	265175-4	+ COUNTERSUNK HEAD SCREW M4X10		1	*			
034-1A	265175-4	+ COUNTERSUNK HEAD SCREW M4X10	O	1				
034-1B	265175-4	+ COUNTERSUNK HEAD SCREW M4X10		1				
035	158796-8	PAD COMPLETE		1				
036	251308-7	+ PAN HEAD SCREW M4X10		4				
037	424078-3	CAP 28		1				
A01	794195-6	ABRASIVE PAPER SET 114X100		1				

Please order the parts with part number.

Print Date 8/4/2021