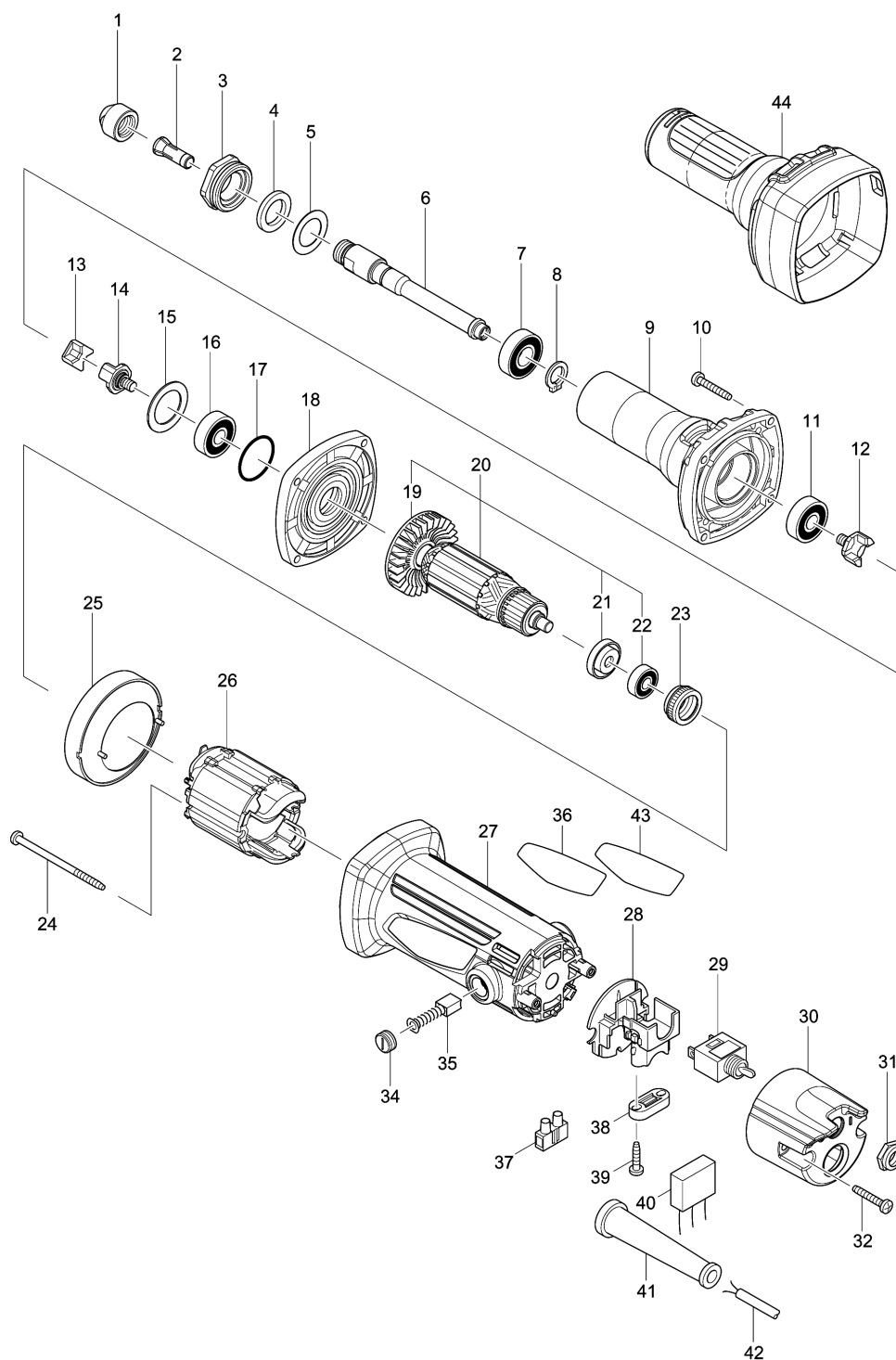


Model No.M9100 DIE GRINDER



Model No.M9100 DIE GRINDER

Item	Parts No.	Description	I/C	Qty	New/Old	Opt. 1	Opt. 2	Note
001	763664-8	套筒螺母6 - MT910		1				
002	763665-6	錐形筒夾6毫米 - MT910		1				
003	317999-5	BEARING RETAINER		1				
004	443124-3	墊圈17 - GD0601		1				
005	267329-9	FLAT WASHER 18		1				
006	324638-0	SPINDLE		1				
007	210107-6	球軸承 6001ZZ - DBN500		1				
008	961052-5	擋圈S-12		1				
009	318000-9	BARREL		1				
010	266374-1	自攻螺絲4X25 - GA9020		4				
011	210063-0	球軸承629ZZ - MT958		1				
012	324639-8	聯軸節 - MT910		1				
013	421942-9	隔離片 - MT910		1				
014	324639-8	聯軸節 - MT910		1				
015	267126-3	平墊圈22 - 6951		1				
016	210063-0	球軸承629ZZ - MT958		1				
017	213445-5	O形圈26 - MT950		1				
018	317798-5	GEAR HOUSING COVER		1				
019	240076-7	FAN 56		1				
020	510213-0	ARMATURE ASS'Y 220V		1				
D10		INC. 19,21,22						
021	681672-6	INSULATION WASHER		1				
022	210062-2	球軸承607ZZ - TD0100		1				
023	421868-5	(迷宮式)密封圈19 - MT370		1				
024	266325-4	自攻螺釘4X70 - GA4031		2				
025	418664-0	BAFFLE PLATE		1				
026	595093-5	定子220V - MT911		1				
C10	654221-2	RING TERMINAL		2	*			
C11	654450-7	RING TERMINAL	O	2				
C20	654501-6	連接器P-1.25 -B04540		2	*			
C21	654485-8	PARALLEL SPLICE	>	2				
027	143594-3	機殼 - M9100		1				
C10	643858-0	BRUSH HOLDER 6X9		2	*			
C11	643509-5	BRUSH HOLDER 6X9	O	2	*			
C12	643858-0	BRUSH HOLDER 6X9	<	2				
028	419227-5	SUPPORT		1				
029	651424-9	開關 - MT950		1				
030	453945-5	REAR COVER		1				
031	652113-9	HEX. NUT M12-16		1				
032	266374-1	自攻螺絲4X25 - GA9020		2				
034	643987-9	碳刷蓋5-8 - MT950		2				
035	191940-4	碳刷CB-411		1				
036	852C97-1	M9100 NAME PLATE		1				
037	654532-5	接線端子板, 單板		1				
038	687123-7	軟線壓板 - MT922		1				

Please order the parts with part number.

Print Date 8/4/2021

Model No.M9100 DIE GRINDER

Item	Parts No.	Description	I/C	Qty	New/Old	Opt. 1	Opt. 2	Note
039	266326-2	自攻螺釘4X18 - HR2810		2				
041	682569-2	軟線護套8-85 - MT922		1				
042	692006-8	軟線1.0-2-2.0		1				
043	800J16-3	CLEAR LABEL		1				
044	454554-3	COVER		1				
A01	781039-9	扳手13 - RT0700C		2				

Please order the parts with part number.

Print Date 8/4/2021