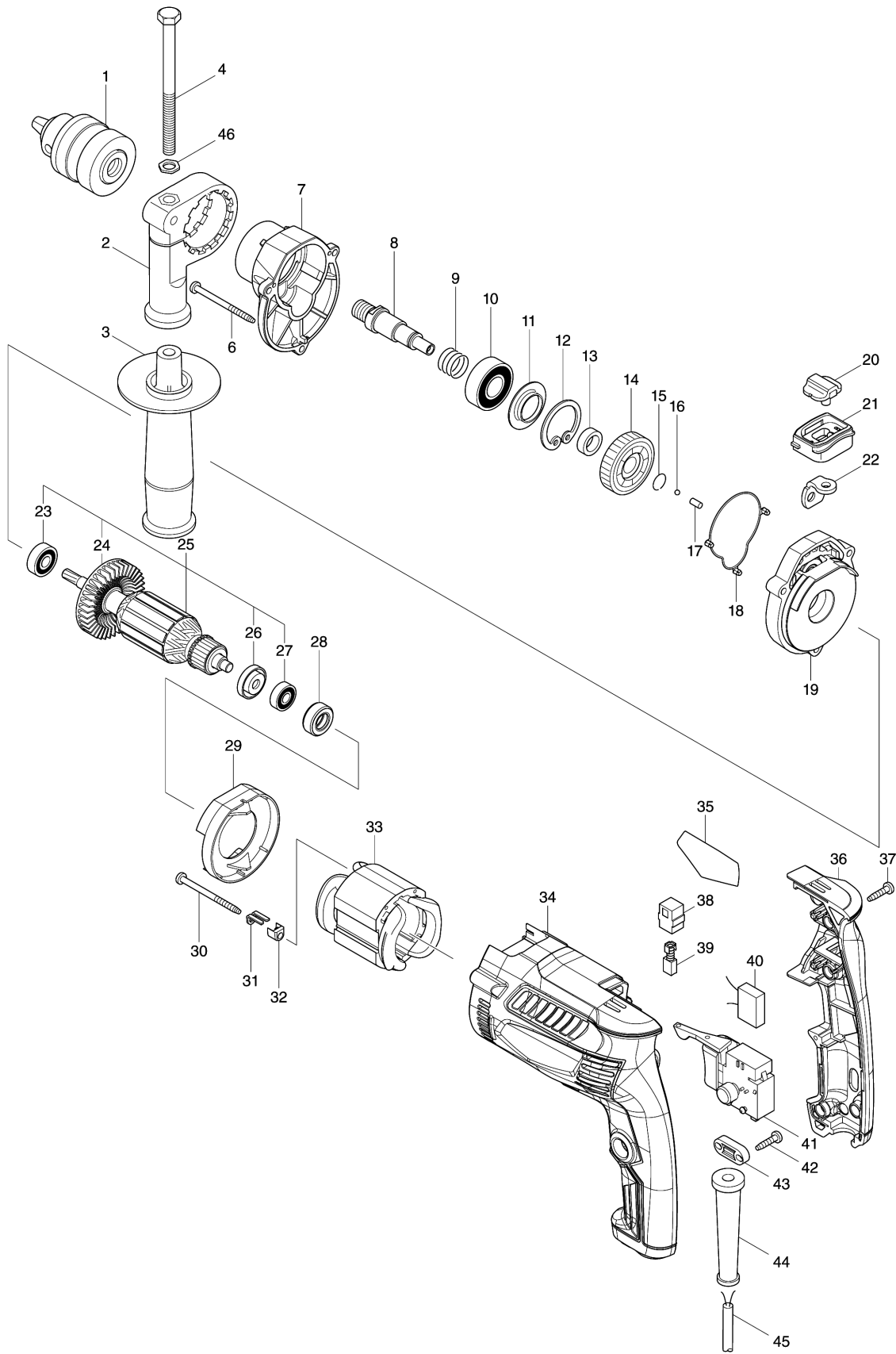


Model No.M8100 16MM HAMMER DRILL



Model No.M8100 16MM HAMMER DRILL

Item	Parts No.	Description	I/C	Qty	New/Old	Opt. 1	Opt. 2	Note
001A	763161-4	DRILL CHUCK S13		1	*			
001-1A	763232-7	DRILL CHUCK S13	O	1				
001-1B	763232-7	DRILL CHUCK S13		1				
001-1C	763232-7	DRILL CHUCK S13		1				
001-1D	763232-7	DRILL CHUCK S13		1				
002	417822-5	GRIP BASE		1				
003	153503-4	GRIP 36 COMPLETE		1				
004	265495-6	HEX. BOLT M8X110		1				
006	266361-0	TAPPING SCREW 4X30		3				
007	451907-7	GEAR HOUSING		1				
008A	324223-9	SPINDLE		1	*			
008B	324223-9	SPINDLE		1	*			
008-1A	327220-4	SPINDLE	S	1	*			
008-1B	327220-4	SPINDLE	S	1	*			
008-2A	327376-3	SPINDLE	S	1				
008-2B	327376-3	SPINDLE	S	1				
008-2C	327376-3	SPINDLE		1				
008-2D	327376-3	SPINDLE		1				
009	233330-6	COMPRESSION SPRING 16		1				
010A	211241-5	BALL BEARING 6202DDW		1	*			
010B	211241-5	BALL BEARING 6202DDW		1	*			
010-1A	210241-2	BALL BEARING 6202DDW	O	1				
010-1B	210241-2	BALL BEARING 6202DDW	O	1				
010-1C	210241-2	BALL BEARING 6202DDW		1				
010-1D	210241-2	BALL BEARING 6202DDW		1				
011	257246-1	RING 19		1				
012	962153-2	RETAINING RING R-35		1				
013	257173-2	RING 12		1				
014	226589-2	HELICAL GEAR 37		1				
015	233938-6	RING SPRING 12		1				
016	216001-0	STEEL BALL 3.5		1				
017	256251-5	PIN 4		1				
018	424112-9	SEAL RING		1				
019A	140426-5	GEAR HOUSING COVER COMPLETE		1	*			
019B	140426-5	GEAR HOUSING COVER COMPLETE		1	*			
019-1A	140G46-7	GEAR HOUSING COVER COMPLETE	S	1	*			
019-1B	140G46-7	GEAR HOUSING COVER COMPLETE	S	1	*			
019-2A	140M11-2	GEAR HOUSING COVER COMPLETE	S	1				
019-2B	140M11-2	GEAR HOUSING COVER COMPLETE	S	1				
019-2C	140M11-2	GEAR HOUSING COVER COMPLETE		1				
019-2D	140M11-2	GEAR HOUSING COVER COMPLETE		1				
020	417819-4	CHANGE LEVER		1				

Please order the parts with part number.

Print Date 8/4/2021

Model No.M8100 16MM HAMMER DRILL

Item	Parts No.	Description	I/C	Qty	New/Old	Opt. 1	Opt. 2	Note
021-1A	452421-6	LEVER CASE		1				
021-1B	452421-6	LEVER CASE		1				
021-1C	455991-4	LEVER CASE		1				
021-1D	455991-4	LEVER CASE		1				
022	345944-0	CHANGE PLATE		1				
023	211031-6	BALL BEARING 608LLB		1				
024	241869-5	FAN 55		1				
025	510163-9	ARMATURE ASSEMBLY 220V		1				
D10		INC. 23,24,26,27						
026	681636-0	INSULATION WASHER		1				
027	210062-2	BALL BEARING 607ZZ		1				
028	421808-3	RUBBER RING 19		1				
029	450620-4	BAFFLE PLATE		1				
030	266415-3	TAPPING SCREW 4X55		2				
031	344871-8	RETAINER		2				
032	417237-6	INSULATION COVER		2				
033	626603-8	FIELD 220V		1				
034A	455861-7	MOTOR HOUSING		1	*			
034B	455861-7	MOTOR HOUSING		1	*			
034-1A	458781-4	MOTOR HOUSING	O	1				
034-1B	458781-4	MOTOR HOUSING	O	1				
034-1C	458782-2	MOTOR HOUSING		1				
034-1D	458782-2	MOTOR HOUSING		1				
035	850X46-8	M8100 NAME PLATE		1				
036-1A	140694-0	HANDLE COVER COMPLETE		1				
036-1B	140694-0	HANDLE COVER COMPLETE		1				
036-1C	143262-8	HANDLE COVER COMPLETE		1				
036-1D	143262-8	HANDLE COVER COMPLETE		1				
C10	263002-9	RUBBER PIN 4		2				
037	266326-2	TAPPING SCREW 4X18		4				
038	643566-3	BRUSH HOLDER 5X8		2				
039	191998-3	CARBON BRUSH CB-85		1				
041	650586-0	SWITCH DGQ-1104H		1				
042	266326-2	TAPPING SCREW 4X18		2				
043	687123-7	STRAIN RELIEF		1				
044	682569-2	CORD GUARD 8-85		1				
045	666257-9	POWER SUPPLY CORD 0.75-2-2.0		1				
046	345280-4	HEX. WASHER		1				
A01	321144-6	DEPTH GAUGE		1				
A02	418163-2	KEY HOLDER 10		1				
A03A	763441-8	CHUCK KEY S13		1	*			
A03-1A	763235-1	CHUCK KEY S13	O	1				
A03-1B	763235-1	CHUCK KEY S13		1				
A03-1C	763235-1	CHUCK KEY S13		1				
A03-1D	763235-1	CHUCK KEY S13		1				

Please order the parts with part number.

Print Date 8/4/2021

Model No.M8100 16MM HAMMER DRILL

Item	Parts No.	Description	I/C	Qty	New/Old	Opt. 1	Opt. 2	Note
A04B	821727-7	PLASTIC CASE		1				
C10	452432-1	SLIDE LATCH		2				
C20	806G57-9	MAKITA MT LOGO LABEL		1				
A04D	821727-7	PLASTIC CASE		1				
C10	452432-1	SLIDE LATCH		2				
C20	806G57-9	MAKITA MT LOGO LABEL		1				
A05B	D-52308	74PCS. BIT SET, MM, TYPE NZ		1				
A05D	D-52308	74PCS. BIT SET, MM, TYPE NZ		1				
A06B	D-53039	FILM FOR CASE A&C		1				
A06D	D-53039	FILM FOR CASE A&C		1				

Please order the parts with part number.

Print Date 8/4/2021