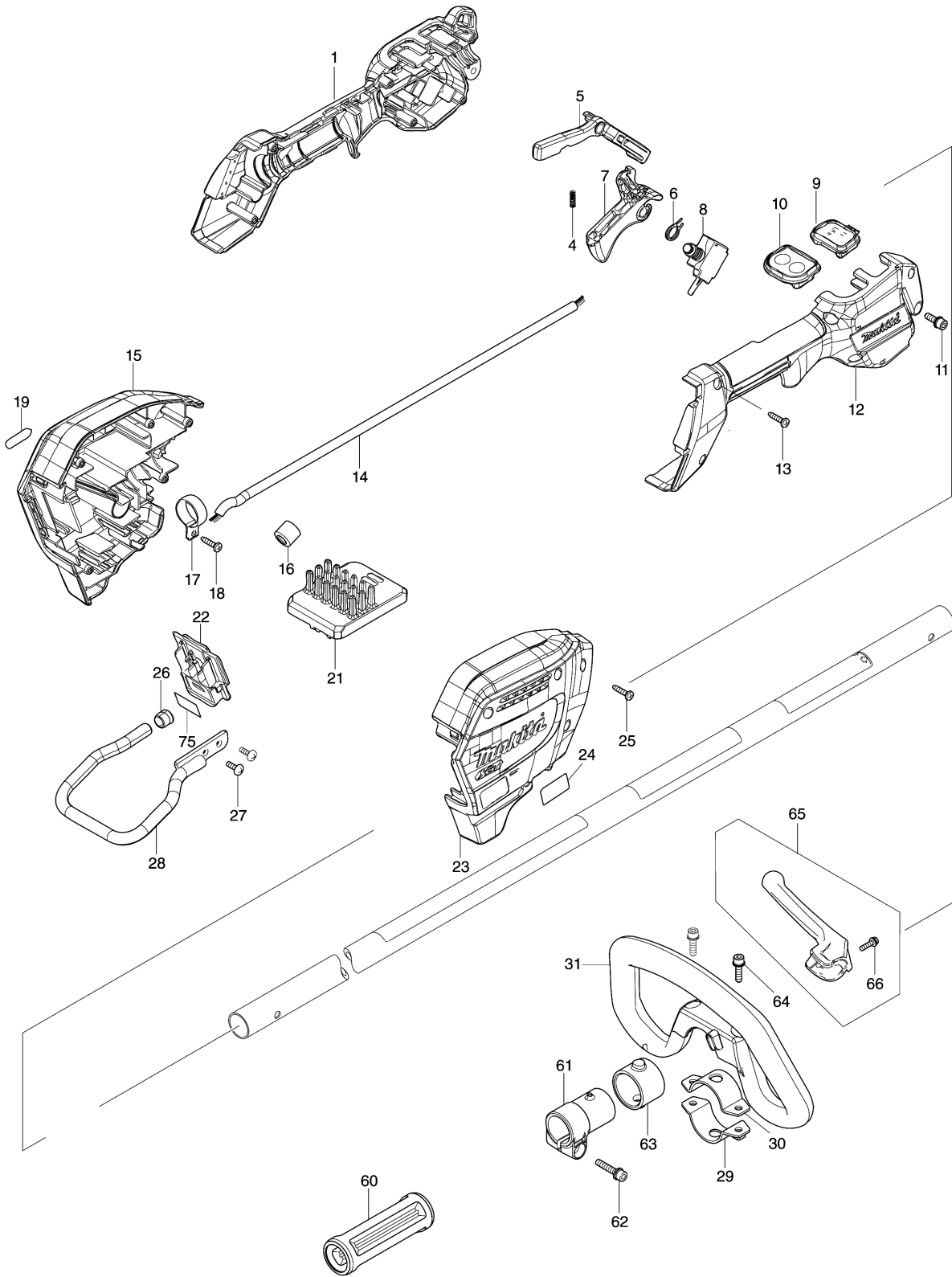
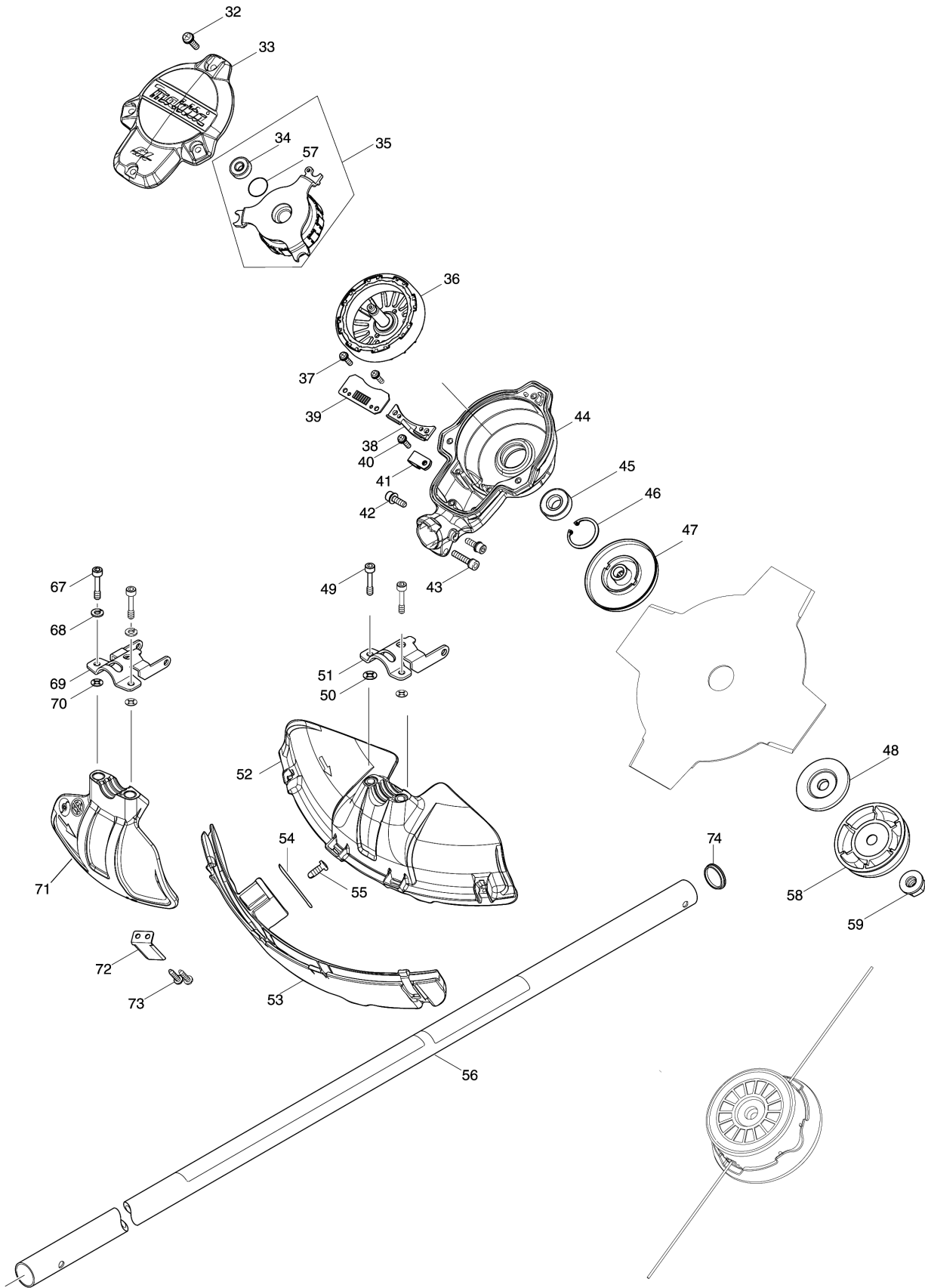


Model No.UR003G CORDLESS GRASS TRIMMER



Model No.UR003G CORDLESS GRASS TRIMMER



Model No.UR003G CORDLESS GRASS TRIMMER

| Item | Parts No. | Description | I/C | Qty | New/Old | Opt. 1 | Opt. 2 | Note |
|------|-----------|-----------------------------|--------------|-----|---------|--------|--------|------|
| 001 | 183S36-9 | GRIP SET | | 1 | | | | |
| | D10 | INC. 12 | | | | | | |
| 004 | 233101-1 | COMPRESSION SPRING 4 | | 1 | | | | |
| 005 | 459759-0 | LOCK OFF LEVER | | 1 | | | | |
| 006 | 233622-3 | TORSION SPRING 12 | | 1 | | | | |
| 007 | 459758-2 | SWITCH LEVER | | 1 | | | | |
| 008 | 651492-2 | SWITCH C3JR-1A-PAXD3 | | 1 | | | | |
| 009 | 141B31-3 | INDICATION CIRCUIT COMPLETE | | 1 | | | | |
| 010 | 140W06-5 | SWITCH CIRCUIT COMPLETE G | | 1 | | | | |
| | C10 | 819J26-9 | SWITCH LABEL | 1 | | | | |
| 011 | 922233-6 | H.S.H.BOLT M5X20 WITH WR | | 1 | | | | |
| 012 | 183S36-9 | GRIP SET | | 1 | | | | |
| | D10 | INC. 1 | | | | | | |
| 013 | 266326-2 | 自攻螺釘4X18 – HR2810 | | 6 | | | | |
| 014 | 699159-4 | POWER SUPPLY CORD UNIT | | 1 | | | | |
| 015 | 183S34-3 | HOUSING SET | | 1 | | | | |
| | C10 | 263005-3 | 橡膠銷6 – 2414B | 2 | | | | |
| | D10 | INC. 23 | | | | | | |
| 016 | 688163-8 | LINE FILTER | | 1 | | | | |
| 017 | 346248-3 | CLAMP 24 | | 1 | | | | |
| 018 | 266326-2 | 自攻螺釘4X18 – HR2810 | | 1 | | | | |
| 019 | 8012U4-2 | XGT LOGO LABEL | | 1 | | | | |
| 021 | 620E47-4 | CONTROLLER | | 1 | | | | |
| 022 | 632P49-4 | TERMINAL UNIT | | 1 | | | | |
| 023 | 183S34-3 | HOUSING SET | | 1 | | | | |
| | C10 | 263005-3 | 橡膠銷6 – 2414B | 2 | | | | |
| | D10 | INC. 15 | | | | | | |
| 024 | 811A61-9 | UR003G NAME PLATE | | 1 | | | | |
| 025 | 266326-2 | 自攻螺釘4X18 – HR2810 | | 5 | | | | |
| 026 | 422230-7 | CAP | | 1 | | | | |
| 027 | 266420-0 | 自攻螺絲5X20 – HR2810 | | 2 | | | | |
| 028 | 347752-5 | BATTERY GUARD | | 1 | | | | |
| 029 | 347114-7 | 下壓板 – DUX60 | | 1 | | | | |
| 030 | 347113-9 | 上壓板 – DUX60 | | 1 | | | | |
| 031 | 457267-5 | 回形手柄 – DUR368L | | 1 | | | | |
| | C10 | 263005-3 | 橡膠銷6 – 2414B | 1 | | | | |
| 032 | 911233-1 | 盤頭螺絲M5X20 – 5012B | | 4 | | | | |
| 033 | 413335-4 | TOP COVER | | 1 | | | | |

Model No.UR003G CORDLESS GRASS TRIMMER

| Item | Parts No. | Description | I/C | Qty | New/Old | Opt. 1 | Opt. 2 | Note |
|------|-----------|----------------------------------|-----|-----|---------|--------|--------|------|
| 034 | 210062-2 | 球軸承607ZZ - TD0100 | | 1 | | | | |
| 035 | 529146-8 | 定子 - DUR365U | | 1 | | | | |
| D10 | | INC. 34,57 | | | | | | |
| 036 | 619462-7 | 轉子 - DUR365U | | 1 | | | | |
| 037 | 911128-8 | 盤頭螺絲M4X16 - LS1440 | | 2 | | | | |
| 038 | 455628-3 | 防護內罩 - DUR365U | | 1 | | | | |
| 039 | 620E48-2 | CONTROLLER B | | 1 | | | | |
| 040 | 911128-8 | 盤頭螺絲M4X16 - LS1440 | | 1 | | | | |
| 041 | 687042-7 | 軟線夾 - 2012NB | | 1 | | | | |
| 042 | 922223-9 | H.S.H.BOLT M5X16 WITH WR | | 2 | | | | |
| 043 | 922241-7 | 內六角頭螺栓M5X25 - HR2810 | | 1 | | | | |
| 044 | 141A05-8 | MOTOR HOUSING COMPLETE | | 1 | | | | |
| 045 | 211131-2 | 球軸承6001DDW - 9403 | | 1 | | | | |
| 046 | 962106-1 | 擋圈R28 - BBC231U | | 1 | | | | |
| 047 | 140L84-9 | 內墊圈 - DUR368A/L | | 1 | | | | |
| 048 | 346084-7 | 刀片夾墊片 BBC231U | | 1 | | | | |
| 049 | 266896-1 | HEX. SOCKET HEAD BOLT M5X20 | | 2 | | | | |
| 050 | 261156-6 | POLYPROPYLENE WASHER 4 | | 2 | | | | |
| 051 | 346785-7 | PROTECTOR CLAMP | | 1 | | | | |
| 052 | 413336-2 | PROTECTOR | | 1 | | | | |
| 053 | 141A09-0 | PROTECTOR U EXT. 350 COMPLETE | | 1 | | | | |
| 054 | 347115-5 | 刀頭 - EM404MP | | 1 | | | | |
| 055 | 266388-0 | TAPPING SCREW 5X16 | | 1 | | | | |
| 056 | 141B05-4 | PIPE COMPLETE O | | 1 | | | | |
| C10 | 819312-8 | MAKITA LOGO LABEL | | 1 | | | | |
| C20 | 819J22-7 | CAUTION LABEL | | 1 | | | | |
| 057 | 213325-5 | O形圈19 - TD0100 | | 1 | | | | |
| 058 | 168526-9 | 杯罩 - BBC231U | | 1 | | | | |
| 059 | 264025-0 | 六角螺母M10-17 - BBC231U | | 1 | | | | |
| 060 | 451601-1 | SPACER 24 | | 1 | | | | |
| 061 | 457269-1 | 水管夾24 - DUX60 | | 1 | | | | |
| 062 | 922244-1 | H.S.H.BOLT M5X25 WITH WG | | 1 | | | | |
| 063 | 424942-8 | 減震墊 - DUX60 | | 1 | | | | |
| 064 | 922234-4 | H.S.H.BOLT M5X20 WITH WG | | 2 | | | | |
| 065 | 144315-6 | 把手 - DUX60 | | 1 | | | | |

Please order the parts with part number.

Print Date 30/3/2021

Model No.UR003G CORDLESS GRASS TRIMMER

| Item | Parts No. | Description | I/C | Qty | New/Old | Opt. 1 | Opt. 2 | Note |
|------|-----------|------------------------------------|-----|-----|---------|--------|--------|------|
| D10 | | INC. 66 | | | | | | |
| 066 | 911128-8 | 盤頭螺絲M4X16 - LS1440 | | 1 | | | | |
| 074 | 422727-6 | RUBBER CAP | | 1 | | | | |
| 075 | 811A67-7 | UR003G SERIAL NO. LABEL | | 1 | | | | |
| A01 | 127508-0 | BAND ASS'Y | | 1 | | | | |
| A02 | 198893-8 | CUTTER ASSEMBLY 95- M10L SET ME | | 1 | | | | |
| A03 | 783013-3 | BOX DRIVER 16-17 | | 1 | | | | |
| A04 | 783202-0 | 六角扳手4 - AN5010 | | 1 | | | | |
| A05 | 831304-7 | ACCESSORY BAG | | 1 | | | | |
| A06 | 126642-3 | PLASTIC BLADE ASSEMBLY255-M10L | | 1 | | | | |
| A09 | 195246-2 | SAFETY GOGGLE | | 1 | | | | |
| E01 | 8030T4-9 | SOUND XXDB LABEL | | 1 | | | | |

Please order the parts with part number.

Print Date 30/3/2021