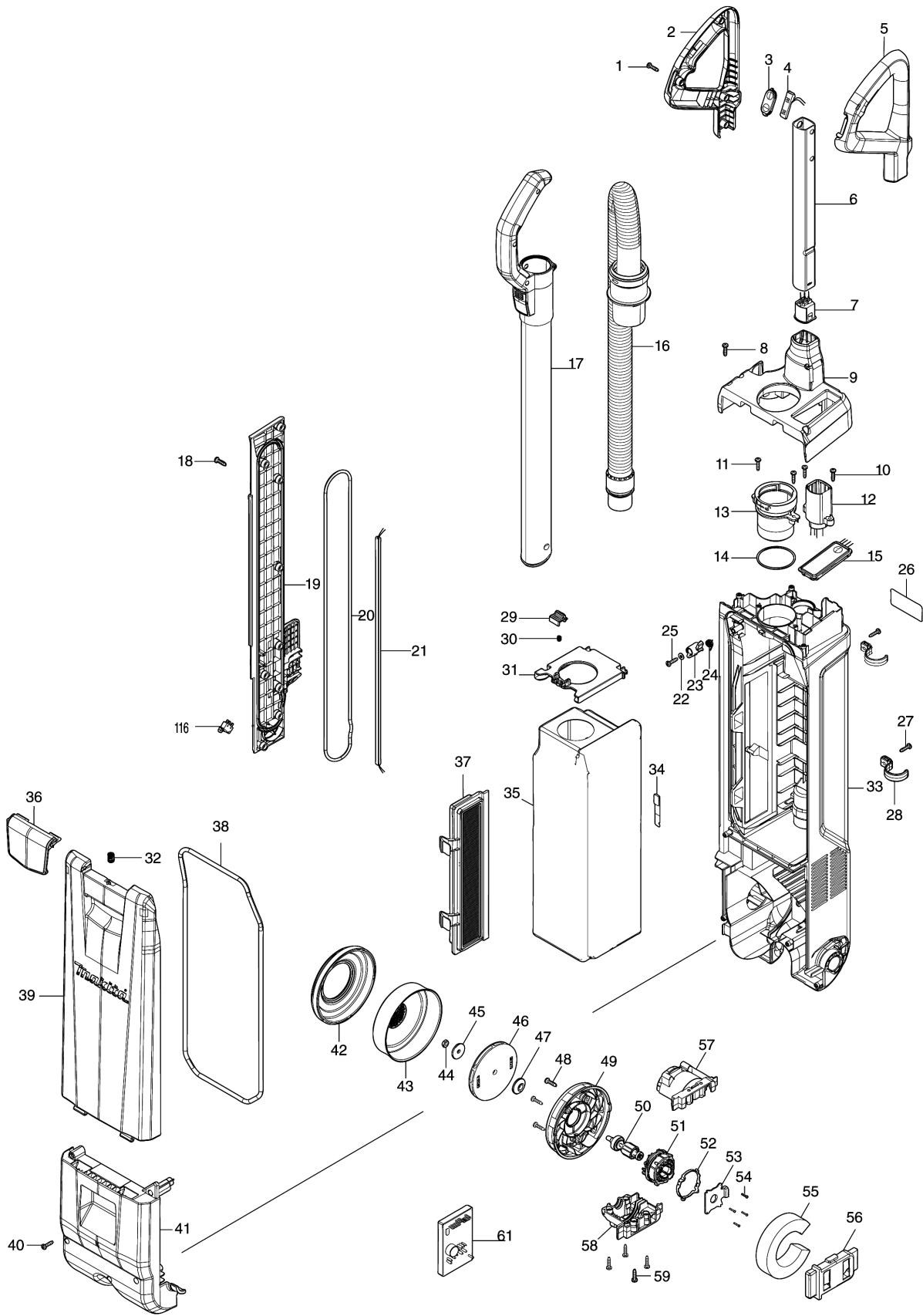
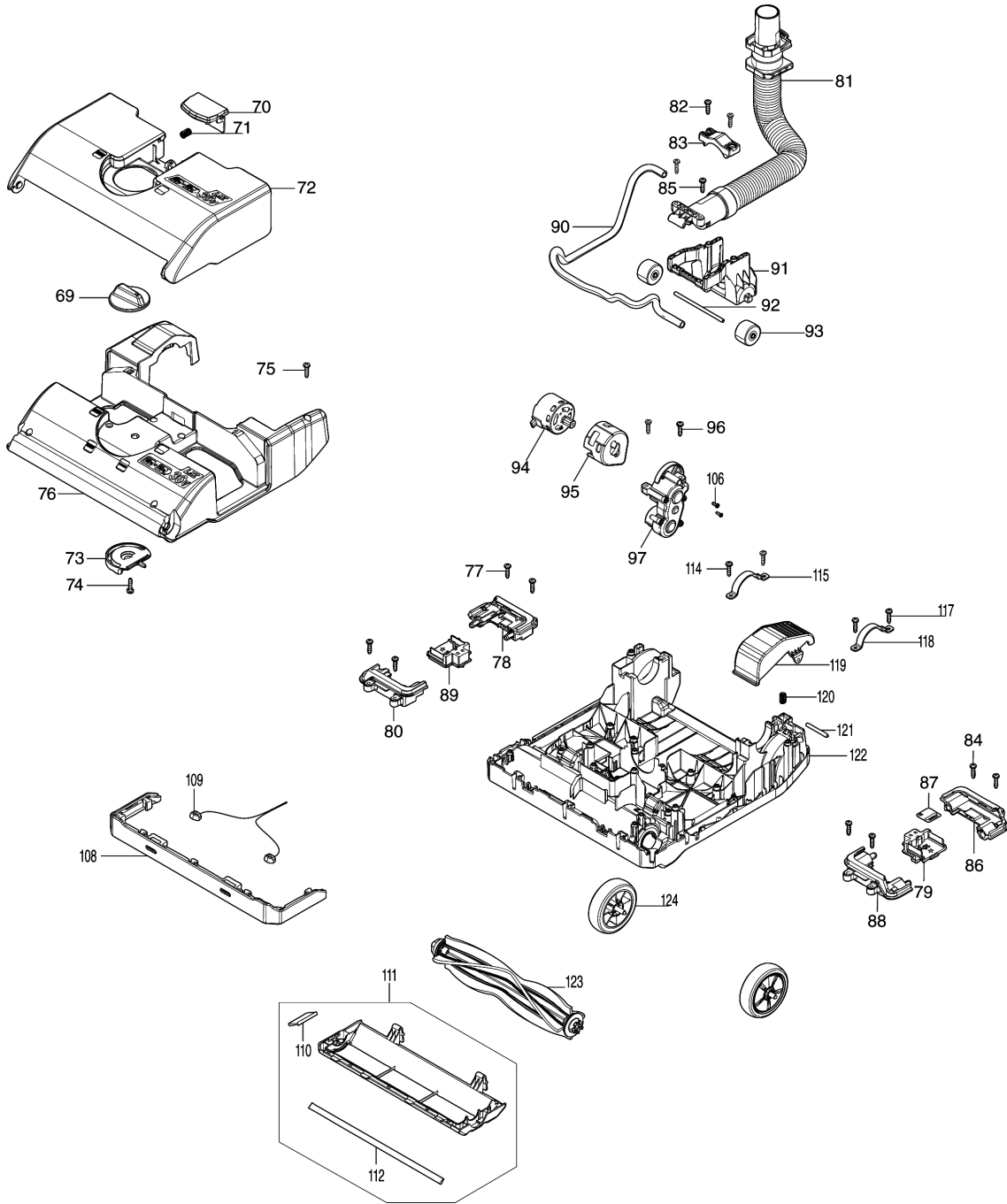


Model No.DVC560 CORDLESS UPRIGHT CLEANER



Model No.DVC560 CORDLESS UPRIGHT CLEANER



Model No.DVC560 CORDLESS UPRIGHT CLEANER

Item	Parts No.	Description	I/C	Qty	New/Old	Opt. 1	Opt. 2	Note
001	266326-2	TAPPING SCREW 4X18		4				
002	183R12-7	HANDLE SET		1				
D10		INC. 5						
003	140S35-4	SWITCH PLATE COMPLETE		1				
C10	8020C7-1	SWITCH LABEL		1				
004	631973-2	SWITCH UNIT		1				
005	183R12-7	HANDLE SET		1				
D10		INC. 2						
006	327555-3	PIPE A		1				
007	632R23-4	LEAD UNIT		1				
008	266326-2	TAPPING SCREW 4X18		4				
009	140U72-0	TOP COVER COMPLETE		1				
010	266326-2	TAPPING SCREW 4X18		2				
011	266326-2	TAPPING SCREW 4X18		2				
012	632R22-6	LEAD UNIT		1				
013	412455-1	INLET		1				
014	213663-5	O RING 55		1				
015	140V53-0	INDICATION CIRCUIT COMPLETE		1				
016	140S37-0	HOSE COMPLETE 28-0.7		1				
017	127522-6	PIPE ASSEMBLY		1				
018	266326-2	TAPPING SCREW 4X18		9				
019	412449-6	SIDE DUST BOX COVER		1				
020	422580-0	SEAL RING B		1				
021	632R25-0	LEAD UNIT		1				
022	941051-3	FLAT WASHER 4		1				
023	412465-8	STOPPER PLATE		1				
024	232627-0	TORSION SPRING 9		1				
025	266326-2	TAPPING SCREW 4X18		1				
026	857N02-9	DVC560 NAME PLATE		1				
027	266326-2	TAPPING SCREW 4X18		2				
028	412444-6	NOZZLE HOLDER		2				
029	412464-0	LOCK LEVER A		1				
030	231309-1	COMPRESSION SPRING 5		1				
031	412463-2	STAY		1				
032	234391-9	COMPRESSION SPRING 8		1				
033	136303-7	DUST BOX ASSEMBLY		1				
034	140V23-9	VALVE COMPLETE		1				
035	191D63-2	FILTER BAG SET		1				
036	412446-2	LATCH		1				
037	191E39-5	MAIN FILTER H SET		1				
038	422578-7	SEAL RING A		1				

Please order the parts with part number.

Print Date 9/11/2020

Model No.DVC560 CORDLESS UPRIGHT CLEANER

Item	Parts No.	Description	I/C	Qty	New/Old	Opt. 1	Opt. 2	Note
039	412445-4	DUST BOX COVER		1				
040	266326-2	TAPPING SCREW 4X18		7				
041	140S32-0	MOTOR COVER COMPLETE		1				
042	422376-9	SUPPORT RING		1				
043	161804-6	FAN COVER		1				
044	252268-6	HEX. NUT M6		1				
045	322407-3	WASHER 6		1				
046	241851-4	FAN 94		1				
047	313062-2	FLANGE		1				
048	266326-2	TAPPING SCREW 4X18		3				
049	456736-3	FAN BASE		1				
050	619517-8	ROTOR		1				
051	629A10-0	STATOR		1				
052	687464-1	SUPPORT		1				
053	620526-2	CONTROLLER B		1				
054	266786-8	+ PAN HEAD TAPPING SCREW 2X10		4				
055	422370-1	BAND DAMPER C		1				
056	424837-5	SUPPORT A		1				
057	183D13-1	MOTOR HOUSING SET		1				
D10		INC. 58						
058	183D13-1	MOTOR HOUSING SET		1				
D10		INC. 57						
059	266326-2	TAPPING SCREW 4X18		4				
061	620D17-7	CONTROLLER		1				
069	412438-1	HEIGHT CHANGE LEVER		1				
070	412440-4	LOCK LEVER B		1				
071	234332-5	COMPRESSION SPRING 7		1				
072	412437-3	BATTERY COVER		1				
073	412439-9	CAM		1				
074	266326-2	TAPPING SCREW 4X18		1				
075	266326-2	TAPPING SCREW 4X18		8				
076	412420-0	UPPER HOUSING		1				
077	266326-2	TAPPING SCREW 4X18		4				
078	183R14-3	TERMINAL CASE SET		1				
C10	263005-3	RUBBER PIN 6		2				
D10		INC .80						
079	644809-6	TERMINAL		1				
080	183R14-3	TERMINAL CASE SET		1				
C10	263005-3	RUBBER PIN 6		2				
D10		INC. 78						
081	140S36-2	HOSE COMPLETE 28-0.2		1				

Please order the parts with part number.

Print Date 9/11/2020

Model No.DVC560 CORDLESS UPRIGHT CLEANER

Item	Parts No.	Description	I/C	Qty	New/Old	Opt. 1	Opt. 2	Note
082	266326-2	TAPPING SCREW 4X18		2				
083	412435-7	CAM PLATE		1				
084	266326-2	TAPPING SCREW 4X18		4				
085	266326-2	TAPPING SCREW 4X18		2				
086	183R14-3	TERMINAL CASE SET		1				
C10	263005-3	RUBBER PIN 6		2				
D10		INC. 88						
087	857N09-5	DVC560 SERIAL NO. LABEL		1				
088	183R14-3	TERMINAL CASE SET		1				
C10	263005-3	RUBBER PIN 6		2				
D10		INC. 86						
089	644809-6	TERMINAL		1				
090	422582-6	TUBE		1				
091	412433-1	FRONT ROLLER HOLDER		1				
092	256954-1	FRONT ROLLER SHAFT		1				
093	412434-9	FRONT ROLLER		2				
094	629A11-8	DC MOTOR		1				
095	422583-4	TUBE JOINT		1				
096	266326-2	TAPPING SCREW 4X18		2				
097	122A42-1	BRUSH GEAR ASSEMBLY		1				
106	265199-0	+ PAN HEAD SCREW M3X8		2				
108	422574-5	BUMPER		1				
109	620D19-3	LED CIRCUIT		1				
110	422577-9	SIDE BRUSH		1				
111	127521-8	BOTTOM PLATE ASSEMBLY		1				
D10		INC. 110,112						
112	422576-1	BRUSH		1				
114	266326-2	TAPPING SCREW 4X18		2				
115	347719-3	HINGE HOLDER		1				
116	632R30-7	SWITCH UNIT		1				
117	266326-2	TAPPING SCREW 4X18		2				
118	347719-3	HINGE HOLDER		1				
119	412454-3	FOOT LEVER		1				
120	234339-1	COMPRESSION SPRING 6		1				
121	256965-6	PIN 4		1				
122	140W03-1	LOWER HOUSING COMPLETE		1				
C10	8020C4-7	CAUTION LABEL		1				
123	191D69-0	BRUSH COMPLETE SET		1				
124	140S28-1	CASTER 75 COMPLETE		2				
A01	191D65-8	LONG SASH NOZZLE SET		1				

Model No.DVC560 CORDLESS UPRIGHT CLEANER

Item	Parts No.	Description	I/C	Qty	New/Old	Opt. 1	Opt. 2	Note
A02	191D67-4	ROUND BRUSH SET		1				
A03Y	***DC18RD	DC18RD TWO PORT FAST CHARGER		1				
D10		COMPO-PARTS						
A04Y	197280-8	BATTERY BL1850B SET		2				

Please order the parts with part number.

Print Date 9/11/2020