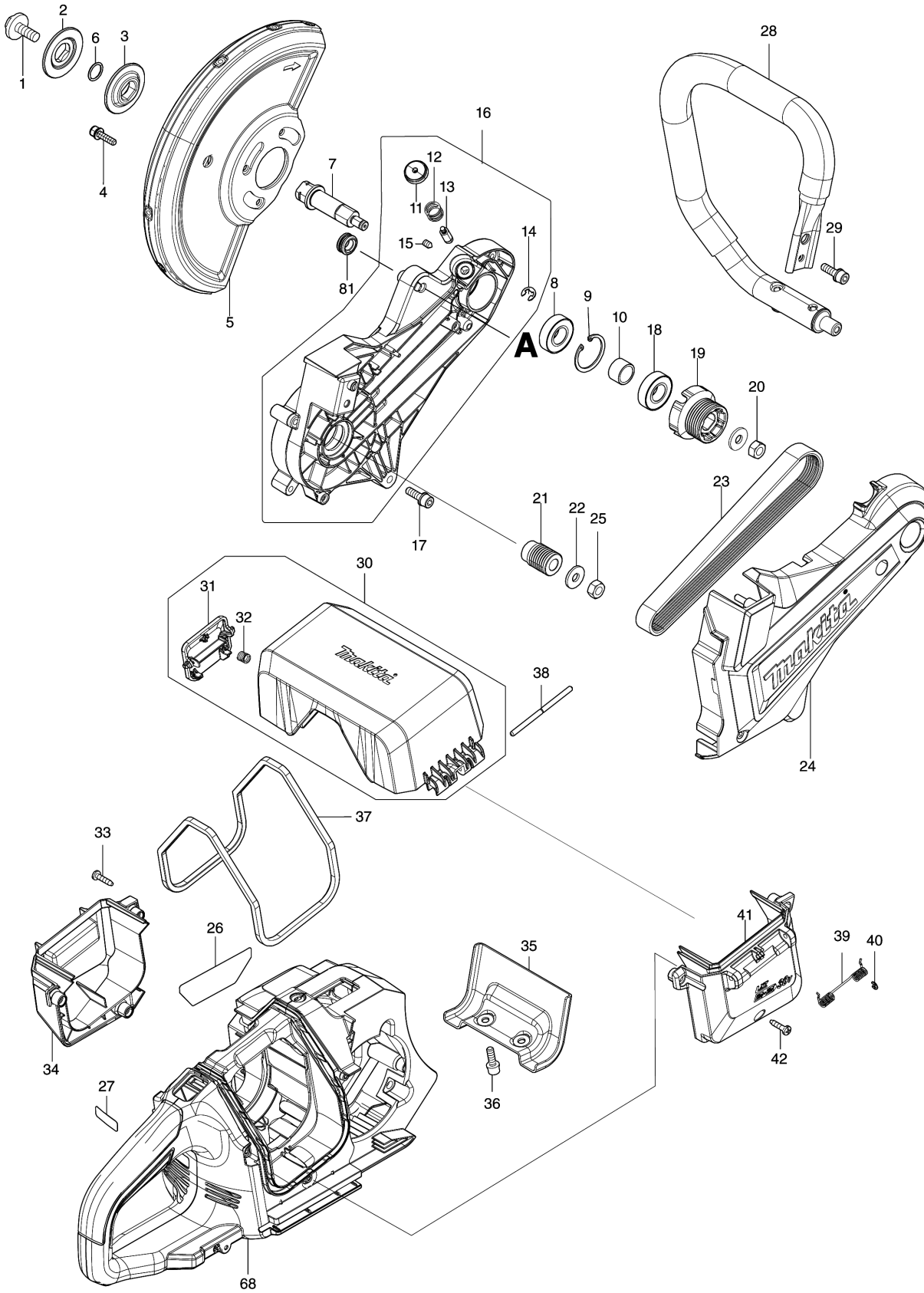
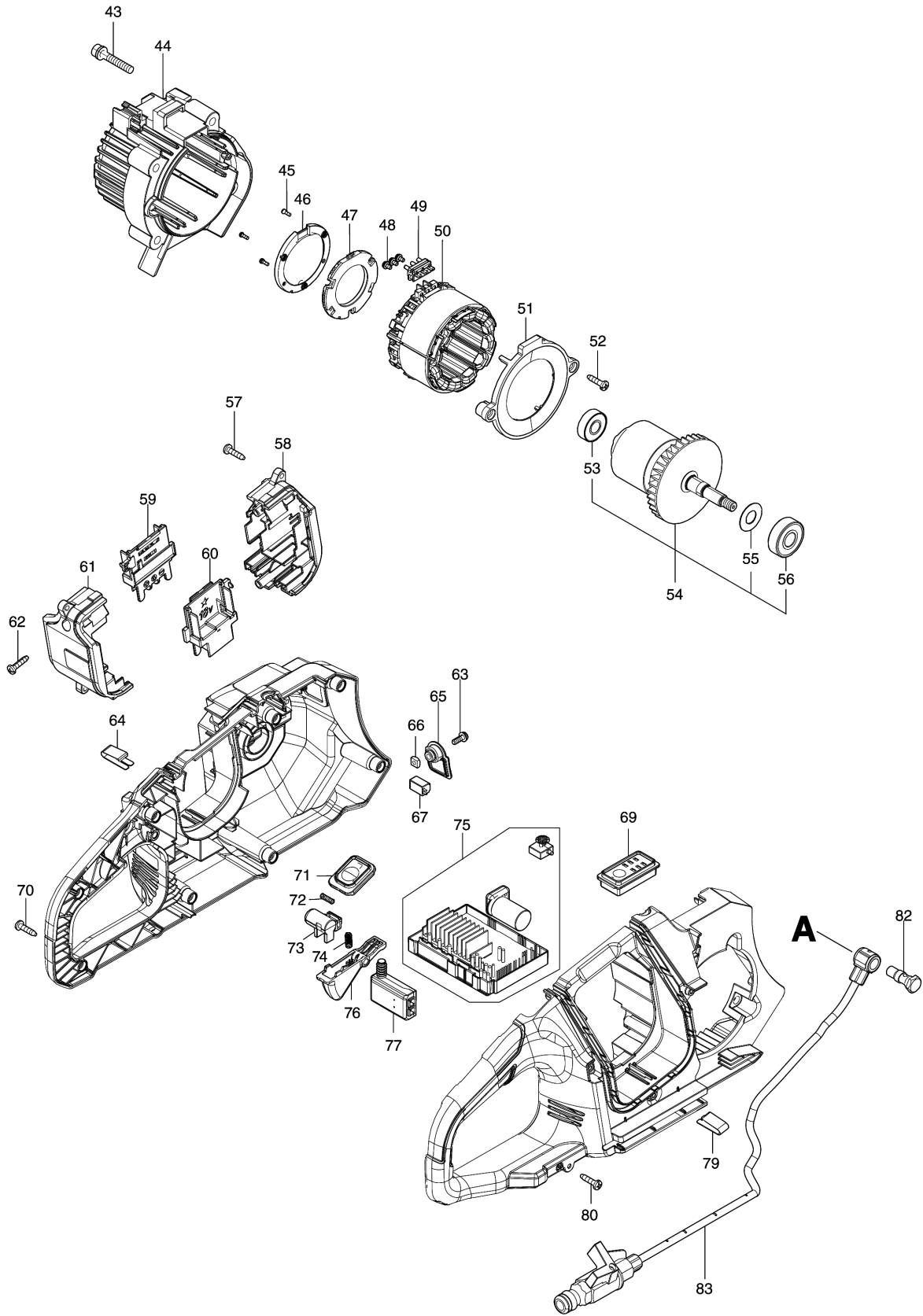


Model No.DCE090 230MM CORDLESS POWER CUTTER



Model No.DCE090 230MM CORDLESS POWER CUTTER



Model No.DCE090 230MM CORDLESS POWER CUTTER

Item	Parts No.	Description	I/C	Qty	New/Old	Opt. 1	Opt. 2	Note
001	266690-1	HEX. BOLT M8X25		1				
002	224604-6	OUTER FLANGE 46		1				
003	224605-4	INNER FLANGE 46		1				
004	922233-6	H.S.H.BOLT M5X20 WITH WR		3				
005	162742-5	WHEEL COVER 230		1				
006	213162-7	O形圈14 - 2414B		1				
007	327532-5	SPINDLE		1				
008	211232-6	球軸承6002LLU - HK1810		1				
009	962151-6	擋圈R-32		1				
010	257491-8	SLEEVE 15		1				
011	451485-7	銷蓋 - GA9050		1				
012	233089-5	壓簧12 - HR2410		1				
013	256947-8	SHOULDER PIN 7		1				
014	961012-7	擋圈E-6		1				
015	265880-3	內六角頭螺栓M5X8		1				
016	136250-2	CUTTING DEVICE ASSY		1				
D10		INC. 11-15						
017	922333-2	HEX.SOCKET HD BOLT M6X20		1				
018	211232-6	球軸承6002LLU - HK1810		1				
019	222197-7	V PULLEY 7-34.6		1				
020	931402-8	六角螺母M8 - LS1013		1				
021	222198-5	V PULLEY 7-20.5		1				
022	253762-1	平墊圈8 - LS1045		2				
023	225104-9	V BELT 7-454		1				
024	140U35-6	BELT COVER COMPLETE		1				
C10	265B09-3	H.S. HEAD BOLT M5X30 WITH WR		3				
025	252154-1	HEX. NUT M8-13		1				
026	856Y91-7	DCE090 NAME PLATE		1				
027	856Y97-5	DCE090 SERIAL NO. LABEL		1				
028	273025-9	FRONT GRIP 26		1				
029	922333-2	HEX.SOCKET HD BOLT M6X20		1				
030	136252-8	BATTERY UPPER ASSY		1				
C10	8013C5-0	CAUTION LABEL		1				
D10		INC. 31,32						
031	412348-2	BATTERY COVER HOOK		1				
032	231240-1	壓簧7 - 2414		1				
033	266326-2	自攻螺釘4X18 - HR2810		3				
034	412344-0	BATTERY LOWER COVER L		1				

Model No.DCE090 230MM CORDLESS POWER CUTTER

Item	Parts No.	Description	I/C	Qty	New/Old	Opt. 1	Opt. 2	Note
035	347659-5	GUIDE PLATE		1				
036	922333-2	HEX.SOCKET HD BOLT M6X20		2				
037	422566-4	BATTERY COVER SEAL		1				
038	256948-6	ROD 4		1				
039	232594-9	TORSION SPRING 5		1				
040	961017-7	擋圈E-3		1				
041	412346-6	BATTERY LOWER COVER R		1				
042	266326-2	自攻螺釘4X18 - HR2810		3				
043	922358-6	H.S.H.BOLT M6X35 WITH WR		4				
044	412277-9	MOTOR HOUSING		1				
045	266490-9	TAPPING SCREW PT 2X6		3				
046	687B69-9	STOPPER		1				
047	620C87-0	CONTROLLER B		1				
048	652031-1	PAN HEAD SCREW M3X6		3				
049	632P83-4	LEAD UNIT		1				
050	629492-0	STATOR		1				
051	459144-7	BAFFLE PLATE		1				
052	266326-2	自攻螺釘4X18 - HR2810		2				
053	210059-1	球軸承 6000DDW - GA5021C		1				
054	519629-6	ROTOR ASSY		1				
D10		INC. 53,55,56						
055	253759-0	平墊圈12 - 2030		1				
056	211137-0	球軸承 6201LLU - 4140		1				
057	266326-2	自攻螺釘4X18 - HR2810		4				
058	183E46-2	TERMINAL BOX SET		1				
D10		INC. 61						
059	643874-2	端子 - DGA413		1				
060	643874-2	端子 - DGA413		1				
061	183E46-2	TERMINAL BOX SET		1				
D10		INC. 58						
062	266326-2	自攻螺釘4X18 - HR2810		2				
063	911118-1	盤頭螺絲M4X12 - BO4510		1				
064	232267-4	LEAF SPRING		1				
065	412347-4	LENS		1				
066	252173-7	SQUARE NUT		1				
067	620C88-8	LED CIRCUIT		1				
068	136219-6	HOUSING ASSY		1				
D10		INC. 63-66,79						
069	140F08-9	LED電路 - DLM460		1				

Model No.DCE090 230MM CORDLESS POWER CUTTER

Item	Parts No.	Description	I/C	Qty	New/Old	Opt. 1	Opt. 2	Note
C10	818A73-3	INDICATION LABEL		1				
070	266326-2	自攻螺釘4X18 – HR2810		8				
071	140U77-0	SWITCH CIRCUIT COMPLETE		1				
C10	8013T3-3	SWITCH LABEL		1				
072	232595-7	COMPRESSION SPRING 3		1	*			
072-1	232699-5	COMPRESSION SPRING 3	<	1				
073	412343-2	LOCK OFF BUTTON		1	*			
073-1	413687-3	LOCK OFF BUTTON	<	1				
074	232353-1	COMPRESSION SPRING 4		1	*			
074-1	233064-1	COMPRESSION SPRING 4	<	1				
075	620C86-2	CONTROLLER		1				
076	412342-4	SWITCH LEVER		1	*			
076-1	413615-8	SWITCH LEVER	<	1				
077	651083-9	SWITCH C3XA-1PSPM		1				
079	232267-4	LEAF SPRING		1				
080	266326-2	自攻螺釘4X18 – HR2810		1				
081	424623-4	GROMMET		1				
082	265B45-9	HEX. BOLT M8X27		1				
083	127491-1	HOSE ASSEMBLY		1				
A01	123121-2	COUPLING SLEEVE		1				
A02	782023-7	WRENCH 13-16		1				
A03	783202-0	六角扳手4 – AN5010		1				

Please order the parts with part number.

Print Date 5/10/2020