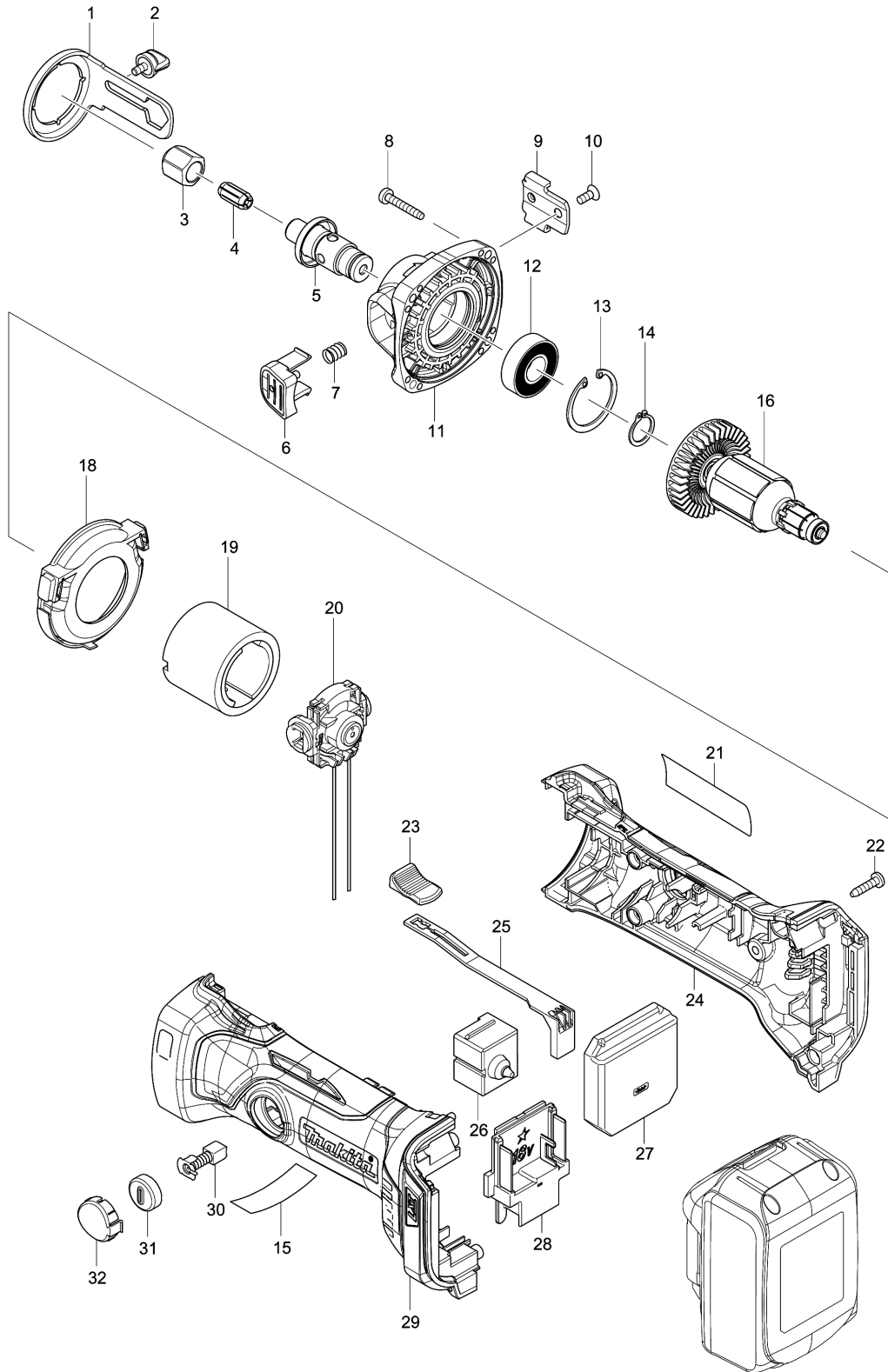


Model No.DCO180 CORDLESS CUT-OUT TOOL





Model No.DCO180 CORDLESS CUT-OUT TOOL

Item	Parts No.	Description	I/C	Qty	New/Old	Opt. 1	Opt. 2	Note
001	346796-2	SHOE PLATE		1				
002	266898-7	THUMB SCREW M4X8		1				
003	763675-3	套筒螺母6 - DCO180		1				
004	763677-9	錐形筒夾3.18 - DCO180		1				
005	142656-4	主軸 - DCO180		1				
006	455181-9	SHAFT LOCK		1				
007	234332-5	COMPRESSION SPRING 7		1				
008	266374-1	自攻螺絲4X25 - GA9020		4				
009	346795-4	SHOE SUPPORT		1				
010	912107-9	沉頭螺絲 M4X8		1				
011	142655-6	BEARING BOX COMPLETE		1				
012	211236-8	球軸承6002DDW - LS1216		1				
013	962151-6	擋圈R-32		1				
014	961055-9	擋圈S-15		1				
016	619344-3	轉子 - DCO180		1				
018	455182-7	BAFFLE PLATE		1				
019	638627-2	定子 - BGA402		1				
020	632C14-5	碳刷座組件 - DCO180		1				
021	815U77-6	DCO180 NAME PLATE		1				
022	266326-2	自攻螺釘4X18 - HR2810		5				
023	419566-3	開關按鈕 - DGA452		1				
024	187871-3	機殼 - DCO180		1				
D10		INC. 29						
025	419519-2	開關拉桿 - BGA402		1				
026	650579-7	開關1246.3223 - DGA402		1				
027	620308-2	控制器 - DCO180		1				
C10	654037-5	絕緣端子FV1.25-M3		1				
C20	654077-3	INSULATED TERMINAL FK2-M3D-5.5		1				
C30	654208-4	RECEPTACLE		2				
C40	654281-4	RECEPTACLE		1				
C50	654304-8	RECEPTACLE		2				
028	643860-3	端子組件 - DCL180		1				
029	187871-3	機殼 - DCO180		1				
D10		INC. 24						
030A	191971-3	碳刷CB-430 - 6333DWAE		1				
030Z	195018-5	碳刷CB-430 - 6333DWAE		1				
031	643929-3	碳刷蓋 - 6333DW		2				
032	455183-5	HOLDER CAP COVER		2				
A01	193446-8	DRYWALL GUIDE BIT 3.18 SET		2	*			

Model No.DCO180 CORDLESS CUT-OUT TOOL

Item	Parts No.	Description	I/C	Qty	New/Old	Opt. 1	Opt. 2	Note
A01-1	191G69-8	DRYWALL GUIDE BIT 3.18 SET	O	2				
E01Z	688165-4	LINE FILTER		1				

Please order the parts with part number.

Print Date 6/8/2020