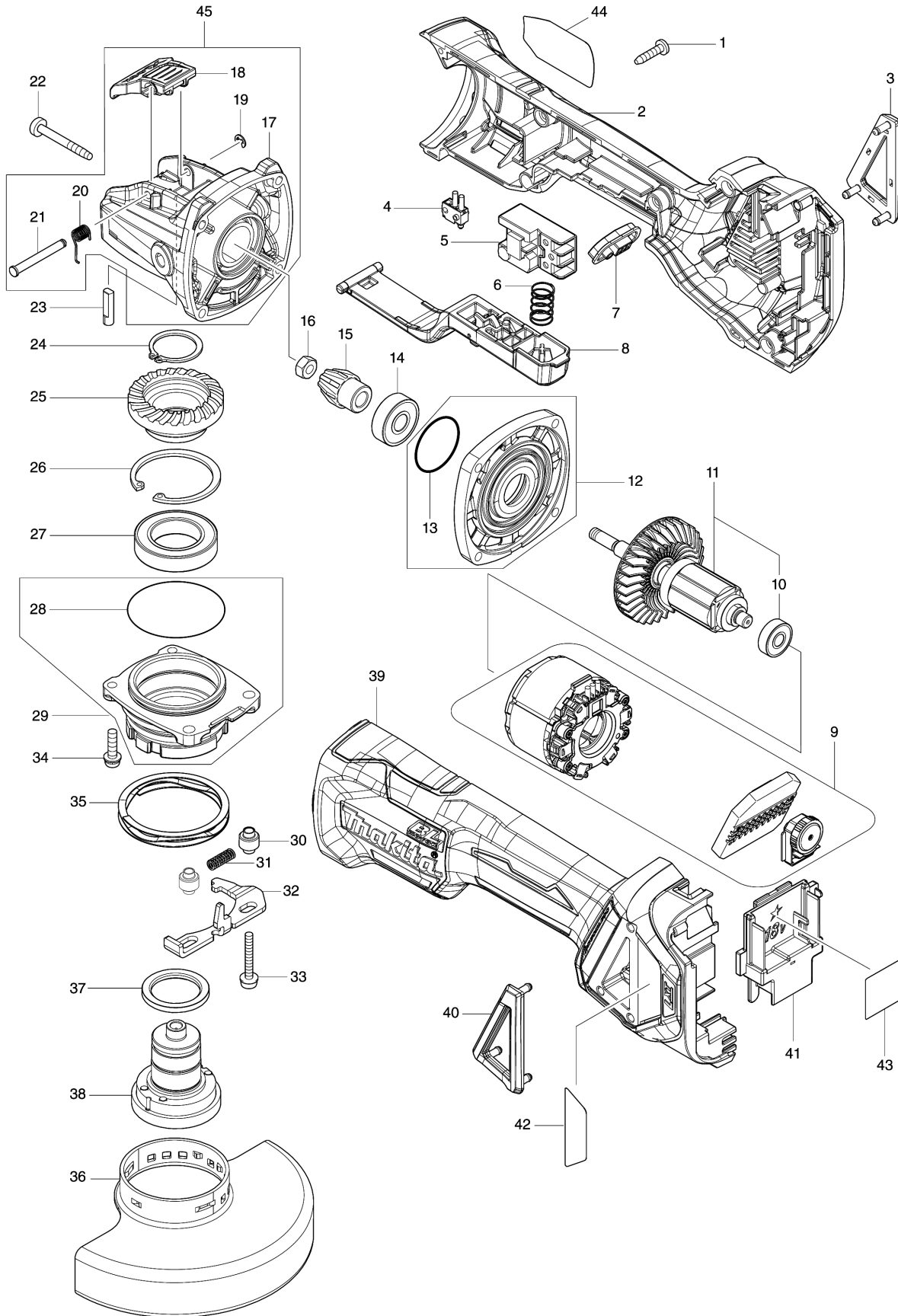


Model No.DGA519 125MM CORDLESS ANGLE GRINDER



Model No.DGA519 125MM CORDLESS ANGLE GRINDER

| Item | Parts No. | Description | I/C | Qty | New/Old | Opt. 1 | Opt. 2 | Note |
|------|-----------|---------------------------|-----|-----|---------|--------|--------|------|
| 001 | 266326-2 | 自攻螺釘4X18 - HR2810 | | 5 | | | | |
| 002 | 183H86-8 | 機殼 - DGA417 | | 1 | | | | |
| C10 | 263005-3 | 橡膠銷6 - 2414B | | 2 | | | | |
| D10 | | INC. 39 | | | | | | |
| 003 | 455450-8 | 防塵罩(右) - DGA404 | | 1 | | | | |
| 004 | 632E12-1 | 開關 - DGA405 | | 1 | | | | |
| 005 | 650734-1 | 開關TG73BDS - DGA405 | | 1 | | | | |
| 006 | 234357-9 | 壓簧11 | | 1 | | | | |
| 007 | 142901-7 | 電子指示板 - DGA404 | | 1 | | | | |
| 008 | 142976-6 | 開關拉桿 - DGA405 | | 1 | | | | |
| 009 | 629304-7 | 定子連控制器 - DGA417 | | 1 | | | | |
| 010 | 210169-4 | 球軸承607LLB - MT964 | | 1 | | | | |
| 011 | 510440-9 | ROTOR ASS'Y | | 1 | | | | |
| D10 | | INC. 10 | | | | | | |
| 012 | 135930-7 | 齒輪箱蓋 - DGA418 | | 1 | | | | |
| D10 | | INC. 13 | | | | | | |
| 013 | 213445-5 | O形圈26 - MT950 | | 1 | | | | |
| 014 | 210042-8 | 球軸承629LLB - BGA402 | | 1 | | | | |
| 015 | 226950-3 | SPIRAL BEVEL GEAR 10 | | 1 | | | | |
| 016 | 252186-8 | 六角螺母M6 - GA4030 | | 1 | | | | |
| 017 | 140N76-0 | GEAR HOUSING COMPLETE | | 1 | | | | |
| 018 | 459967-3 | LEVER | | 1 | | | | |
| 019 | 961017-7 | 擋圈E-3 | | 1 | | | | |
| 020 | 232576-1 | TORSION SPRING 5 | | 1 | | | | |
| 021 | 256935-5 | HEADED PIN 4 | | 1 | | | | |
| 022 | 266361-0 | 自攻螺釘4X30 - HP1631 | | 4 | | | | |
| 023 | 327460-4 | SHAFT | | 1 | | | | |
| 024 | 961104-2 | RETAINING RING S-24 | | 1 | | | | |
| 025 | 226951-1 | SPIRAL BEVEL GEAR 37 | | 1 | | | | |
| 026 | 962201-7 | RETAINING RING (INT) R-42 | | 1 | | | | |
| 027 | 210208-0 | BALL BEARING 6905DDW | | 1 | | | | |
| 028 | 213622-9 | O形圈 - DGA404 | | 1 | | | | |
| 029 | 136199-6 | BEARING BOX ASS'Y | | 1 | | | | |
| D10 | | INC. 28 | | | | | | |
| 030 | 327322-6 | SLEEVE 4 | | 2 | | | | |
| 031 | 232490-1 | COMPRESSION SPRING 4 | | 1 | | | | |
| 032 | 347615-5 | LEVER | | 1 | | | | |
| 033 | 911159-7 | PAN HEAD SCREW M4X30 | | 2 | | | | |
| 034 | 911138-5 | 盤頭螺絲M4X20 | | 2 | | | | |
| 035 | 232577-9 | SCROW WAVE SPRING 49 | | 1 | | | | |
| 036 | 347618-9 | WHEEL COVER 125 | | 1 | | | | |

Please order the parts with part number.

Print Date 27/7/2020

Model No.DGA519 125MM CORDLESS ANGLE GRINDER

| Item | Parts No. | Description | I/C | Qty | New/Old | Opt. 1 | Opt. 2 | Note |
|------|-----------|-----------------------------------|-----|-----|---------|--------|--------|------|
| 037 | 327459-9 | RING 25 | | 1 | | | | |
| 038 | 127428-8 | SPINDLE ASSEMBLY | | 1 | | | | |
| 039 | 183H86-8 | 機殼 - DGA417 | | 1 | | | | |
| C10 | 263005-3 | 橡膠銷6 - 2414B | | 2 | | | | |
| D10 | | INC. 2 | | | | | | |
| 040 | 455449-3 | 防塵罩(左) - DGA404 | | 1 | | | | |
| 041 | 643874-2 | 端子 - DGA413 | | 1 | | | | |
| 042 | 816D93-9 | INDICATION LABEL | | 1 | | | | |
| 043 | 856R76-1 | DGA519 SERIAL NO. LABEL | | 1 | | | | |
| 044 | 856R71-1 | DGA519 NAME PLATE | | 1 | | | | |
| 045 | 136209-9 | GEAR HOUSING ASS'Y | | 1 | | | | |
| D10 | | INC. 17-21 | | | | | | |
| A01 | 158237-4 | 手柄36 - DGA404 | | 1 | | | | |
| A02 | E-00402 | GRINDING WHEEL INOX 125 X-LOCK | | 1 | | | | |
| A03Y | 450128-8 | 電池膠蓋片18V | | 2 | | | | |
| A04Y | ***DC18RC | DC18RC FAST CHARGER | | 1 | | | | |
| D10 | | COMPO-PARTS | | | | | | |
| A05Y | 197280-8 | 鋰電池BL1850B 18V | | 2 | | | | |
| A06Y | 821551-8 | 萬用連結塑膠箱 395X295X210MM | | 1 | | | | |
| C10 | 453974-8 | 連結箱扣 | | 4 | | | | |
| A07Y | 8009B9-8 | DGA519RTJ INDICATION LABEL | | 1 | | | | |
| A08Y | 8009C0-3 | DGA519RTJ PLASTIC CASE LABEL | | 2 | | | | |
| A09Y | 839252-4 | INNER TRAY | | 1 | | | | |

Please order the parts with part number.

Print Date 27/7/2020