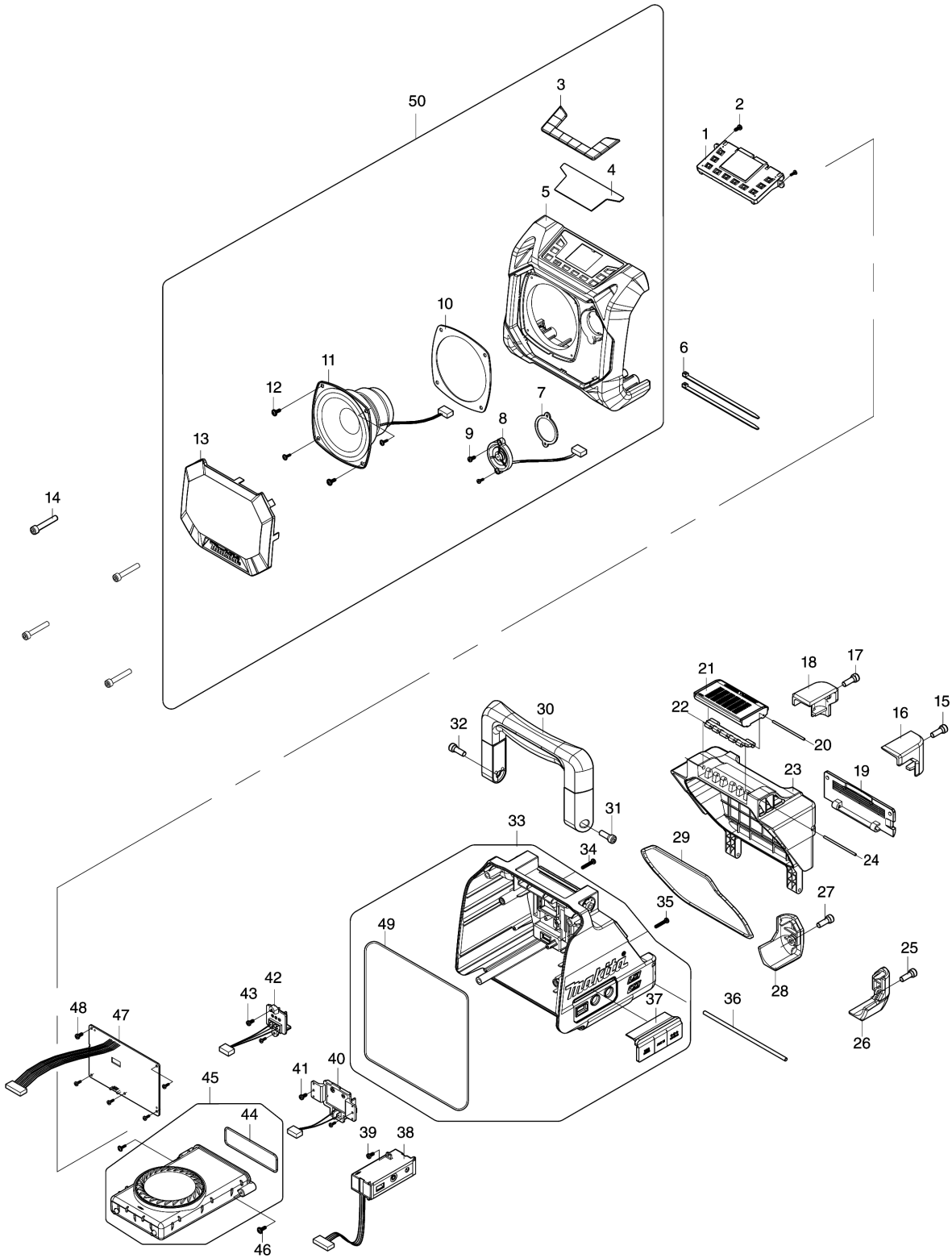


Model No.DMR203 CORDLESS JOB SITE SPEAKER





Model No.DMR203 CORDLESS JOB SITE SPEAKER

Item	Parts No.	Description	I/C	Qty	New/Old	Opt. 1	Opt. 2	Note
001	SE00000796	PCB C ASS'Y		1				
002	SE00000521	螺絲 PTB 3X8(ZK) - DMR200		2				
003	SE00000797	RUBBER KEY		1				
004	SE00000798	DISPLAY PLATE		1				
005	SE00000799	FRONT CABINET(BLUE)		1				
006	SE00000195	捆紮帶100MM		2				
007	SE00000801	SPEAKER PACKING B		1				
008	SE00000802	TWEETER SPEAKER ASS'Y		1				
009	SE00000521	螺絲 PTB 3X8(ZK) - DMR200		2				
010	SE00000803	SPEAKER PACKING A		1				
011	SE00000804	MAIN SPEAKER ASS'Y		1				
012	SE00000557	螺絲 PTPW 3X10(ZK) - DMR200		4				
013	SE00000805	SPEAKER GRILL ASS'Y		1				
014	SE00000530	六角螺絲 6X37(CR) - DMR200		4				
015	SE09176166	HEX SCREW M6X16		1				
016	SE00000531	電池緩衝器 R - DMR200		1				
017	SE09176166	HEX SCREW M6X16		1				
018	SE00000532	電池緩衝器 L - DMR200		1				
019	SE00000534	電話外殼裝置 - DMR200		1				
020	SE00000533	釘 D2X88 - DMR200		1				
021	SE00000535	蓋扣 - DMR200		1				
022	SE00000536	鏈扣 - DMR200		1				
023	SE00000537	電池外殼 (藍色) - DMR200		1				
024	SE00000539	釘 D2X77 - DMR200		1				
025	SE09176166	HEX SCREW M6X16		1				
026	SE00000541	後置緩衝器 R - DMR200		1				
027	SE09176166	HEX SCREW M6X16		1				
028	SE00000540	後置緩衝器 L - DMR200		1				
029	SE00000542	電池包裝 - DMR200		1				
030	SE00000543	手柄裝置-藍色 - DMR200		1				
031	SE09176166	HEX SCREW M6X16		1				
032	SE09176166	HEX SCREW M6X16		1				
033	SE00000808	REAR CABINET ASS'Y(BLUE)		1				
D10		INC. 37,49						
034	SE00000548	螺絲 PTPW 3X20(ZK) - DMR200		1				

Model No.DMR203 CORDLESS JOB SITE SPEAKER

Item	Parts No.	Description	I/C	Qty	New/Old	Opt. 1	Opt. 2	Note
035	SE00000548	螺絲 PTPW 3X20(ZK) - DMR200		1				
036	SE00000549	電池外殼固定釘 - DMR200		1				
037	SE00000810	JACK RUBBER COVER		1				
038	SE00000654	插座裝置(藍) - DMR202		1				
039	SE00000521	螺絲 PTB 3X8(ZK) - DMR200		1				
040	SE00000652	端子18V - DMR202		1				
041	SE00000521	螺絲 PTB 3X8(ZK) - DMR200		2				
042	SE00000651	端子12V - DMR202		1				
043	SE00000521	螺絲 PTB 3X8(ZK) - DMR200		2				
044	SE00000556	電話外殼包裝 - DMR200		1				
045	SE00000555	移動電話外殼裝置 - DMR200		1				
D10		INC. 44						
046	SE00000557	螺絲 PTPW 3X10(ZK) - DMR200		2				
047	SE00000812	PCB A ASS'Y		1				
048	SE00000521	螺絲 PTB 3X8(ZK) - DMR200		5				
049	SE024PC040	PACKING		1				
050	SE00000806	FRONT CABINET ASS'Y(BLUE)		1				
D10		INC. 3-5,7-13						
A01	SE00000795	AC ADAPTER (SG)		1				

Please order the parts with part number.

Print Date 1/4/2020