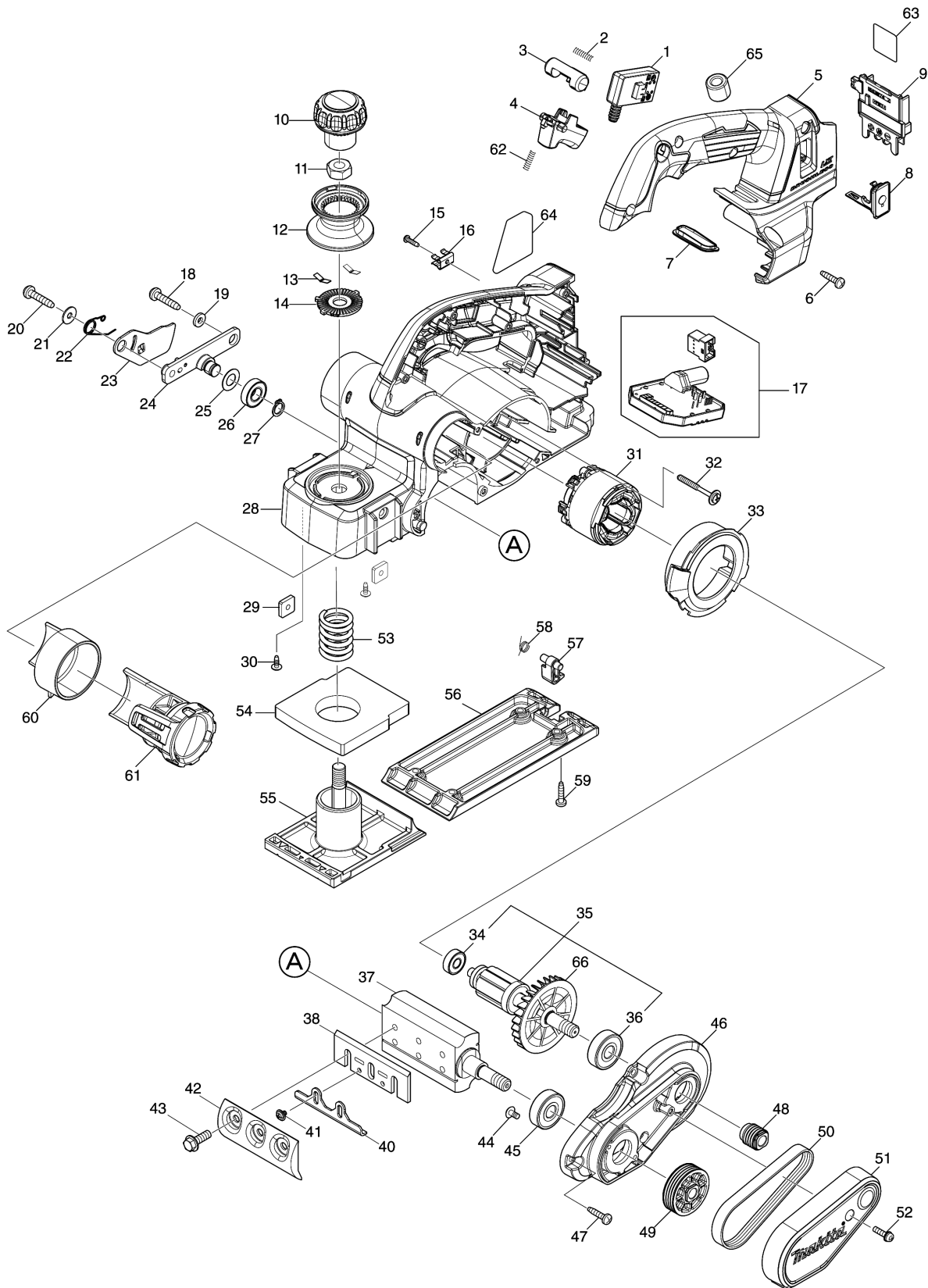


Model No.DKP181 82MM CORDLESS PLANER



Model No.DKP181 82MM CORDLESS PLANER

Item	Parts No.	Description	I/C	Qty	New/Old	Opt. 1	Opt. 2	Note
001	651083-9	SWITCH C3XA-1PSPM		1				
002	231433-0	壓簧4 - 6333DW		1				
003	419704-7	LOCK OFF BUTTON		1				
004	457432-6	SWITCH LEVER		1				
005	140N52-4	HANDLE COVER COMPLETE		1	*			
C10	263005-3	橡膠銷6 - 2414B		1	*			
005-1	140V49-1	HANDLE COVER COMPLETE	<	1				
C10	263005-3	橡膠銷6 - 2414B		1				
006	265995-6	自攻螺釘4X18		6				
007	142948-1	INDICATION PLATE COMPLETE		1				
008	140F99-0	蓋 - DGA701/DGA901		1				
C10	213218-6	O型圈 - HM1306		1				
C20	818H07-8	CAP LABEL		1				
009	643874-2	端子 - DGA413		1				
010	451328-3	旋鈕座蓋 - KP0800+C6570X		1				
011	252276-7	HEX. NUT M10		1				
012	459894-4	KNOB		1				
013	232185-6	片簧 - KP0800X		2				
014	347588-2	CAM PLATE		1				
015	266556-5	TAPPING SCREW 3X12		1				
016	232570-3	LEAF SPRING		1				
017	620B79-3	CONTROLLER		1				
018	266041-8	自更螺絲PT5X25 5277NB		1				
019	267012-8	FLAT WASHER 5		1				
020	266041-8	自更螺絲PT5X25 5277NB		1				
021	253194-2	平墊圈5 - HM1303		1				
022	233521-9	TORSION SPRING 10		1				
023	345765-0	DRUM COVER		1				
024	158184-9	DRUM HOLDER COMPLETE		1				
025	253758-2	平墊圈10 - 8416		1				
026	210057-5	BALL BEARING 6900LLB		1				
027	961006-2	擋圈S-10 - HR2300		1				
028	140N51-6	MAIN FRAME COMPLETE		1				
C10	263005-3	橡膠銷6 - 2414B		1				
029	264002-2	SQUARE NUT M5		2				
030	265A77-0	TAPPING SCREW 3X10		2				
031	629453-0	STATOR		1				
032	265679-6	TAPPING SCREW 4X40		2				
033	459891-0	BAFFLE PLATE		1				
034	210034-7	球軸承607LLB - GA4030		1				
035	519590-7	ROTOR ASS'Y		1				
D10		INC. 34,36,66						
036	211087-9	球軸承6200DW - BO3710		1				
037	158156-4	DRUM COMPLETE		1				
038	D-16346	高速鋼刨刀82毫米(2片)		1				

Please order the parts with part number.

Print Date 7/1/2020

Model No.DKP181 82MM CORDLESS PLANER

Item	Parts No.	Description	I/C	Qty	New/Old	Opt. 1	Opt. 2	Note
040	345644-2	調節板 - KP0800		2				
041	251246-3	盤頭螺絲M4X5 - 1900B		4				
042	187676-1	DRUM PLATE SET		1				
043	251609-3	六角頭凸緣螺栓M6X17		6				
044	251291-8	+ SCREW M4X8		2				
045	211087-9	球軸承6200DW - BO3710		1				
046	140N50-8	BRACKET COMPLETE		1				
C10	263002-9	橡膠銷4 - 63004		1				
047	265995-6	自攻螺釘4X18		4				
048	222193-5	V-PULLEY 4-17L		1				
049	222194-3	V-PULLEY 4-39.5		1				
050	225071-8	皮帶4-241 - 1923H		1				
051	459893-6	BELT COVER		1				
052	911133-5	盤頭螺絲M4X18 - LS1440		1				
053	231004-3	壓簧18 - 1911B		1				
054	422531-3	RUBBER PACKING		1				
055	319872-5	FRONT BASE		1				
056	318499-8	BASE		1				
057	451392-4	FOOT		1				
058	231698-4	TORSION SPRING 7		1				
059	265995-6	自攻螺釘4X18		4				
060	459892-8	NOZZLE		1				
061	125353-7	DUCT ASS'Y		1				
062	231433-0	壓簧4 - 6333DW		1				
063	856J96-7	DKP181 SERIAL NO. LABEL		1				
064	856J88-6	DKP181 NAME PLATE		1				
065	688163-8	LINE FILTER		1				
066	240079-1	FAN 62		1				
A01	122785-9	GUIDE RULE ASS'Y		1				
C10	213009-5	O形圈 4 - GA4030		1				
C20	251871-0	螺絲M5X10 - 1050DWA		1				
C30	251878-6	螺絲M5X20 - 3620		1				
C40	253807-5	平墊圈5 - 6095DW		2				
C50	345768-4	GUIDE HOLDER		1				
A02	123062-2	刀口規 - 1900B		1				
C10	911228-4	盤頭螺絲M5X18 - PM7650H		2				
C20	411086-3	GAUGE PLATE		1				
A03	782209-3	套筒扳手9 - 5800N		1				
A04	251878-6	螺絲M5X20 - 3620		1				
A05	253807-5	平墊圈5 - 6095DW		1				
A06	342390-8	DEPTH GUIDE		1				
A07	123004-6	刨刀夾總成		1				
C10	251920-3	CAP SQUARE NECK BOLT M6X30		2				
C20	934301-3	翼形螺母M6 - 1900B		2				
A11	442198-1	ANTI CORROSION PAPER		1				

Please order the parts with part number.

Print Date 7/1/2020