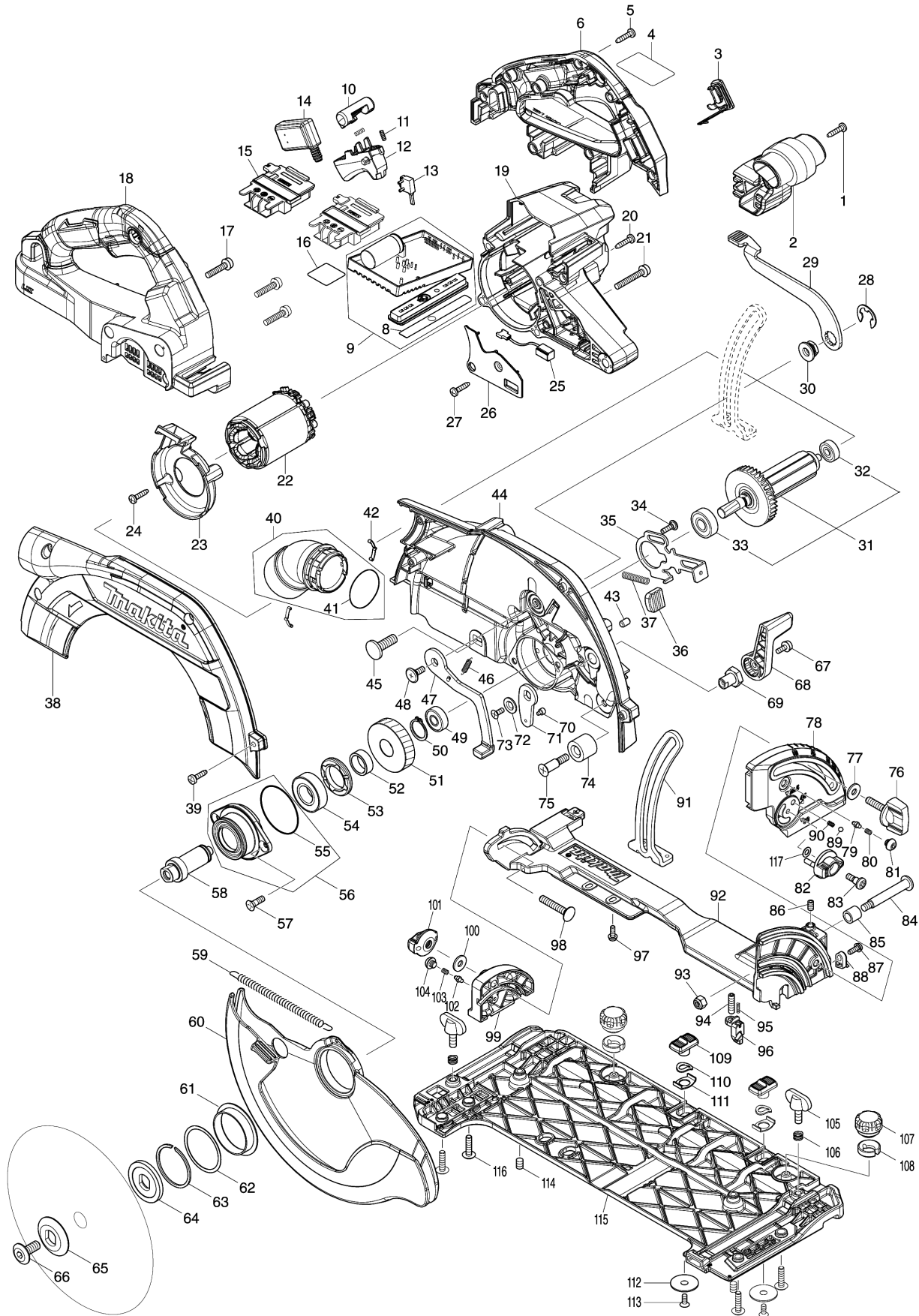


Model No.DHS900 235MM CORDLESS CIRCULAR SAW



Model No.DHS900 235MM CORDLESS CIRCULAR SAW

Item	Parts No.	Description	I/C	Qty	New/Old	Opt. 1	Opt. 2	Note
001	266326-2	TAPPING SCREW 4X18		1				
002	459828-7	FRONT GRIP		1				
003	140F99-0	CAP COMPLETE		1				
C10	213218-6	O RING 16		1				
C20	818H07-8	CAP LABEL		1				
004	856L73-1	DHS900 NAME PLATE		1				
005	266326-2	TAPPING SCREW 4X18		8				
006	183N39-3	HANDLE SET		1				
C10	263005-3	RUBBER PIN 6		4				
D10		INC. 18						
008	813T74-0	INDICATION LABEL		1				
009	620C59-5	CONTROLLER COMPLETE		1				
D10		INC. 8						
010	419704-7	LOCK OFF BUTTON		1				
011	231433-0	COMPRESSION SPRING 4		2				
012	459829-5	SWITCH LEVER		1				
013	632M92-5	SWITCH UNIT		1				
014	651083-9	SWITCH C3XA-1PSPM		1				
015	643874-2	TERMINAL		2				
016	856L79-9	DHS900 SERIAL NO. LABEL		1				
017	911243-8	PAN HEAD SCREW M5X25		3				
018	183N39-3	HANDLE SET		1				
C10	263005-3	RUBBER PIN 6		4				
D10		INC. 6						
019	459823-7	MOTOR HOUSING		1				
020	266326-2	TAPPING SCREW 4X18		1				
021	911258-5	PAN HEAD SCREW M5X35		4				
022	629462-9	STATOR		1				
023	459826-1	BAFFLE PLATE		1				
024	266326-2	TAPPING SCREW 4X18		2				
025	620936-3	LED CIRCUIT		1				
026	459827-9	LIGHT COVER		1				
027	266326-2	TAPPING SCREW 4X18		1				
028	257953-6	BOW STOP RING E-12		1				
029	271453-2	LEVER 132		1				
030	252262-8	COLLERED HEX. NUT M8		1				
031	519602-6	ROTOR ASS'Y		1				
D10		INC. 32,33						
032	210022-4	BALL BEARING 626DDW		1				
033	210059-1	BALL BEARING 6000DDW		1				
034	251529-1	+ PAN HEAD SCREW M4X14		1				

Please order the parts with part number.

Print Date 4/12/2019

Model No.DHS900 235MM CORDLESS CIRCULAR SAW

Item	Parts No.	Description	I/C	Qty	New/Old	Opt. 1	Opt. 2	Note
035	347575-1	SHAFT LOCK		1				
036	286039-9	CAP		1				
037	233084-5	COMPRESSION SPRING 6		1				
038	319860-2	BLADE CASE COVER		1				
039	266034-5	TAPPING SCREW CT 4X16		4				
040	136173-4	DUST NOZZLE ASS'Y		1				
D10		INC. 41						
041	213444-7	O RING 30		1				
042	232227-6	LEAF SPRING		2				
043	263005-3	RUBBER PIN 6		1				
044	140P83-5	BLADE CASE COMPLETE		1				
C10	213434-0	O RING 26		1				
C20	8004T1-0	SCALE LABEL		1				
045	266396-1	FLATHEAD SQUARENECKBOLT M8X24		1				
046	232563-0	TENSION SPRING 4		1				
047	162686-9	OPEN LEVER		1				
048	265A60-7	+ PAN HEAD SCREW M5X14		1				
049	210029-0	BALL BEARING 608ZZ		1				
050	961057-5	RETAINING RING S-17		1				
051	226934-1	HELICAL GEAR 46		1				
052	257451-0	RING 17		1				
053	285809-3	BEARING RETAINER 23-36		1				
054	210301-0	BALL BEARING 6003DDW		1				
055	213623-7	O RING 46		1				
056	136192-0	BEARING BOX ASS'Y		1				
D10		INC. 55						
057	265034-2	+ COUNTERSUNK HEAD SCREW M5X16		2				
058	327192-3	SPINDLE		1				
059	232562-2	TENSION SPRING 6		1				
060	319861-0	SAFETY COVER		1				
061	459830-0	SPACER		1				
062	267337-0	FLAT WASHER 40		1				
063	257452-8	RETAINING RING (EXT) WR-40		1				
064	224609-6	INNER FLANGE 38		1				
065	224600-4	OUTER FLANGE 38		1				
066	265A59-2	HEX.SOCKET HEAD BOLT M8		1				
067	911113-1	PAN HEAD SCREW M4X10 WITH WR		1				

Please order the parts with part number.

Print Date 4/12/2019

Model No.DHS900 235MM CORDLESS CIRCULAR SAW

Item	Parts No.	Description	I/C	Qty	New/Old	Opt. 1	Opt. 2	Note
068	271451-6	LEVER 55		1				
069	252275-9	HEX. NUT M4-16		1				
070	265A82-7	HEX. SOCKET HEAD SCREW M3X4		1				
071	347576-9	OPEN PLATE		1				
072	347577-7	WASHER 6		1				
073	265135-6	+ COUNTERSUNK HEAD SCREW M4X10		1				
074	262185-2	RUBBER SLEEVE8		1				
075	251572-0	+ COUNTERSUNK HEAD SCREW M6X30		1				
076	265776-8	THUMB SCREW M6X26		1				
077	253111-2	FLAT WASHER 6		2				
078	319865-2	FRONT ANGULAR PLATE		1				
079	263041-9	SHOULDER PIN 3-5		1				
080	231234-6	COMPRESSION SPRING 3.5		1				
081	266559-9	H.S.BUTTON HEAD BOLT M6X4		1				
082	450704-8	DIAL 27		1				
083	251370-2	+ PAN HEAD SCREW M5		1				
084	251528-3	+ PAN HEAD SCREW M6		1				
085	257580-9	SLEEVE 8		1				
086	266229-0	H.S.SET SCREW(CUP POINT)M5X8		1				
087	911118-1	PAN HEAD SCREW M4X12		1				
088	419632-6	POSITION PLATE		1				
089	216008-6	STEEL BALL 4		1				
090	233314-4	COMPRESSION SPRING 4		1				
091	347574-3	DEPTH GUIDE		1				
092	140P89-3	FRAME COMPLETE		1				
C10	233025-1	COMPRESSION SPRING 2		2				
C20	259008-3	PUSH NUT 4		2				
C30	286041-2	CAP 14		2				
C40	345747-2	SPACER PLATE		2				
C50	347392-9	PLATE		2				
093	252014-7	HEX. LOCK NUT M6-10		1				
094	265A83-5	H.S.SET SCREW(FLAT POINT)M5X20		1				
095	233025-1	COMPRESSION SPRING 2		1				
096	412210-1	SLIDER		1				
097	265A84-3	PAN HEAD SCREW M4X12 WITH WR		2				

Model No.DHS900 235MM CORDLESS CIRCULAR SAW

Item	Parts No.	Description	I/C	Qty	New/Old	Opt. 1	Opt. 2	Note
098	266332-7	R.H SQUARE NECK BOLT M6X35		1				
099	319866-0	REAR ANGULAR PLATE		1				
100	253111-2	FLAT WASHER 6		1				
101	252270-9	THUMB NUT M6		1				
102	263041-9	SHOULDER PIN 3-5		1				
103	231234-6	COMPRESSION SPRING 3.5		1				
104	266559-9	H.S.BUTTON HEAD BOLT M6X4		1				
105	265701-9	THUMB SCREW M6X14		2				
106	233376-2	COMPRESSION SPRING 8		2				
107	265775-0	THUMB SCREW M4X3		2				
108	419627-9	HOLDER		2				
109	458092-7	SLIDE LEVER		2				
110	253932-2	WAVE WASHER 10		2				
111	345977-5	PLATE		2				
112	345748-0	LOCK WASHER		2				
113	912112-6	COUNTERSUNK HEAD SCREW M4X10		2				
114	266225-8	H.S.SET SCREW(FLAT POINT)M6X8		2				
115	319862-8	BASE		1				
116	265181-9	+TRUSS HEAD SCREW M5X20		4				
117	253811-4	FLAT WASHER 5		1				
A01	162687-7	SUB BASE		1				
A02	783204-6	HEX. WRENCH 6		1				
A03	E-01959	TCT BLADE 235X24T WOOD EFFICUT		1				

Please order the parts with part number.

Print Date 4/12/2019