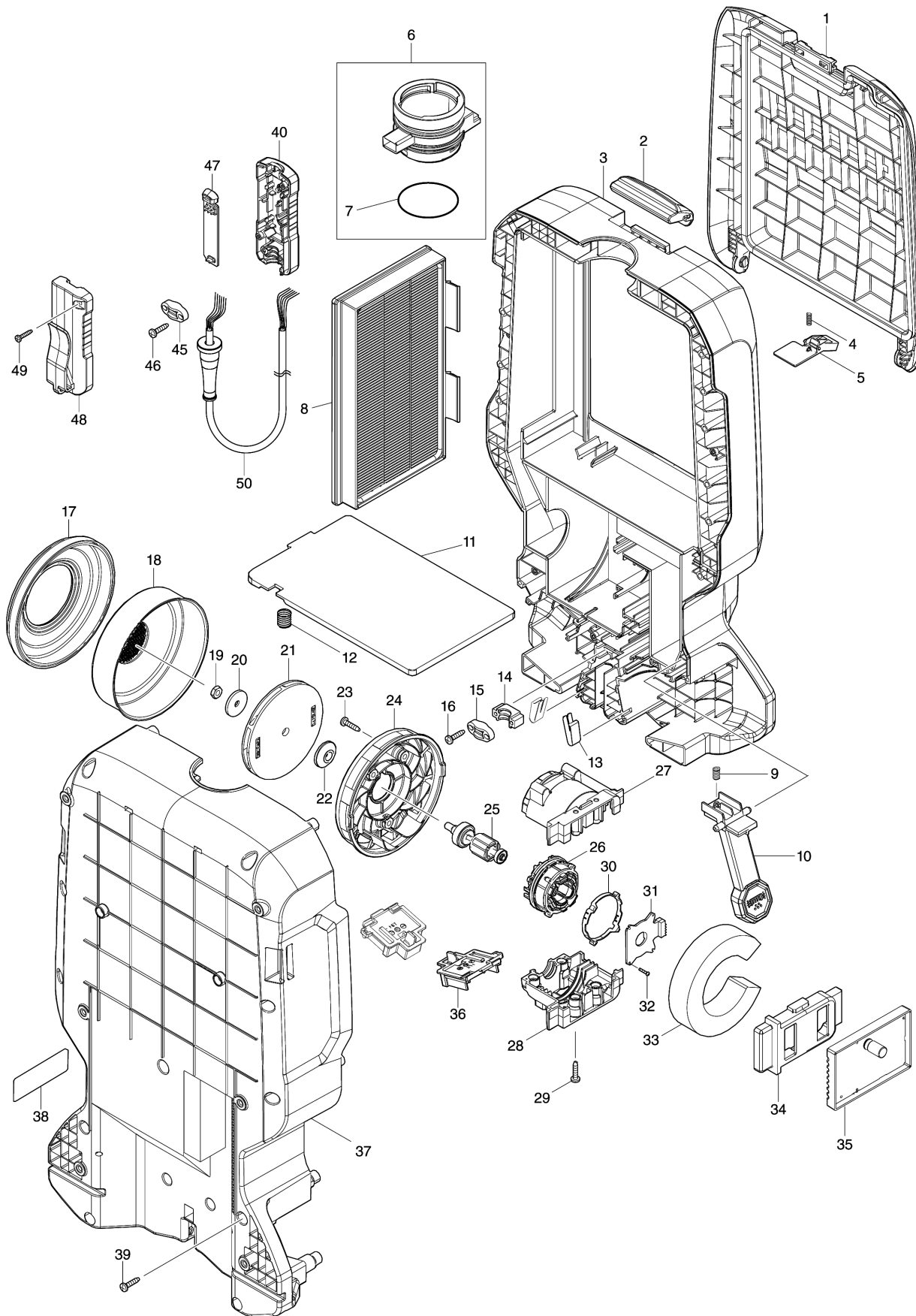
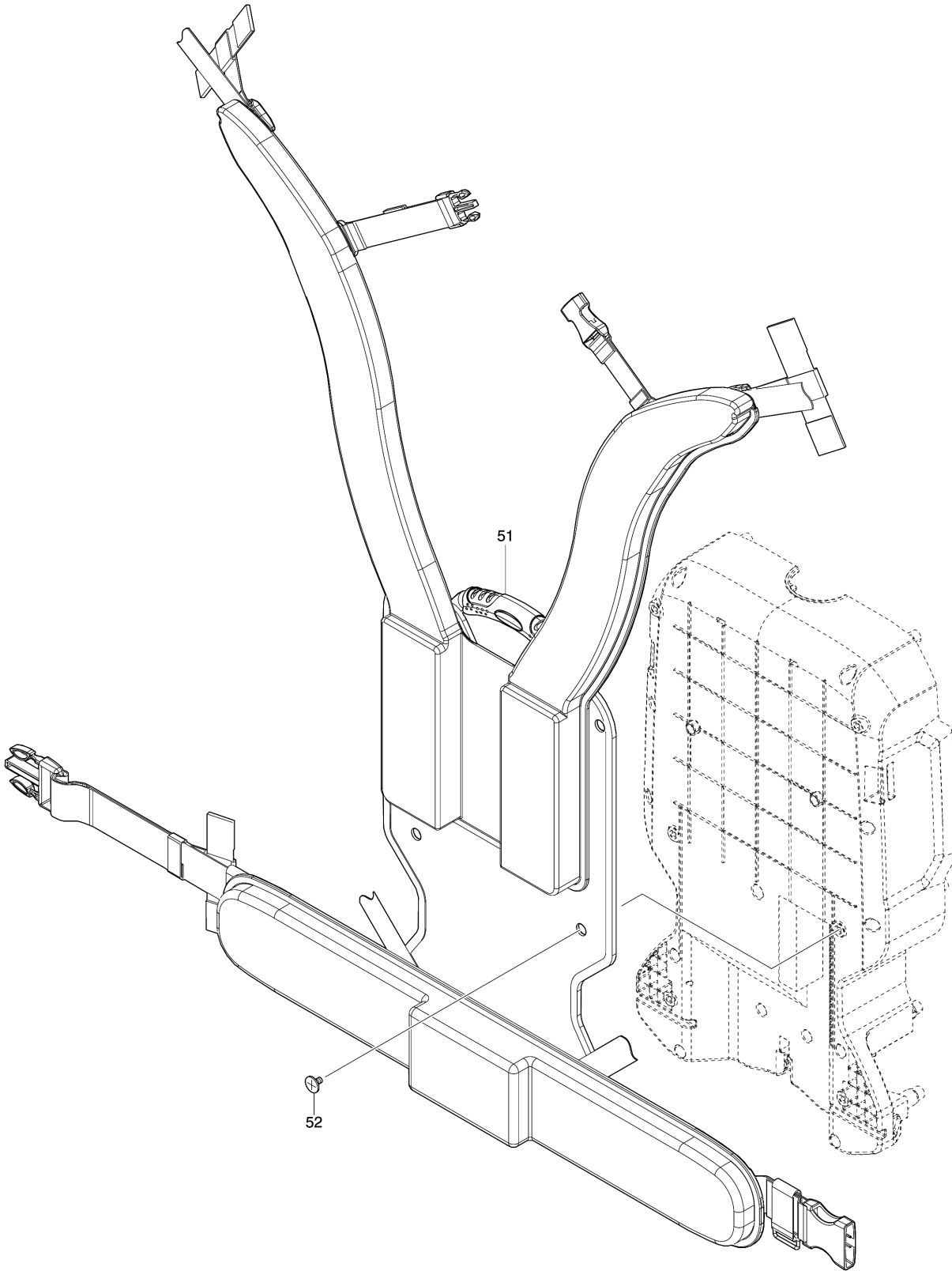


Model No.DVC660 DC BACKPACK VACUUM CLEANER





Model No.DVC660 DC BACKPACK VACUUM CLEANER





Model No.DVC660 DC BACKPACK VACUUM CLEANER

Item	Parts No.	Description	I/C	Qty	New/Old	Opt. 1	Opt. 2	Note
001	140P97-4	DUST BOX COVER COMPLETE		1				
C10	422536-3	SEAL A		1				
002	127480-6	LATCH ASSEMBLY		1				
003	140P91-6	UPPER HOUSING COMPLETE		1				
C10	422534-7	BAND DAMPER D		1				
C20	422550-9	BAND DAMPER A		1				
004	232389-0	COMPRESSION SPRING 5		1				
005	459912-8	STOPPER PLATE		1				
006	135771-1	進氣組件 - DVC260		1				
D10		INC. 7						
007	213655-4	O RING 56		1				
008	191D12-9	MAIN FILTER H SET		1				
009	232588-4	COMPRESSION SPRING 6		1				
010	140P99-0	LEVER 100 COMPLETE		1				
011	459913-6	PLATE		1				
012	234141-2	COMPRESSION SPRING 12		2				
013	232267-4	LEAF SPRING		2				
014	687051-6	軟線壓板 - 3600HA		1				
015	687123-7	軟線壓板 - MT922		1				
016	266326-2	自攻螺釘4X18 - HR2810		2				
017	422376-9	支撐環 - DVC265		1				
018	161804-6	FAN COVER		1				
019	252268-6	HEX. NUT M6		1				
020	322407-3	WASHER 6		1				
021	241851-4	FAN 94		1				
022	313062-2	FLANGE		1				
023	266326-2	自攻螺釘4X18 - HR2810		3				
024	456736-3	風扇底座 - DVC260		1				
025	619517-8	ROTOR		1				
026	629381-9	定子 - DVC265		1				
027	183D13-1	機殼 - DVC260		1				
D10		INC. 28						
028	183D13-1	機殼 - DVC260		1				
D10		INC. 27						
029	266326-2	自攻螺釘4X18 - HR2810		4				
030	687464-1	支持架 - BTD129		1				
031	620526-2	控制器B - DVC260		1				
032	266786-8	十字平頭螺絲2X10		4				
033	422370-1	環墊C - DVC265		1				
034	424837-5	支持座架A - DVC260		1				

Please order the parts with part number.

Print Date 4/12/2019

Model No.DVC660 DC BACKPACK VACUUM CLEANER

Item	Parts No.	Description	I/C	Qty	New/Old	Opt. 1	Opt. 2	Note
035	620C52-9	CONTROLLER		1				
036	644809-6	端子 - DJR186Z		2				
037	140P93-2	LOWER HOUSING COMPLETE		1				
C10	422535-5	BAND DAMPER E		1				
C20	422551-7	BAND DAMPER B		1				
038	856K43-4	DVC660 NAME PLATE		1				
039	266326-2	自攻螺釘4X18 - HR2810		13				
040	183K74-3	開關殼組 - DVC261		1				
C10	818F86-4	SWITCH LABEL		1				
D10		INC. 48						
045	687123-7	軟線壓板 - MT922		1				
046	266326-2	自攻螺釘4X18 - HR2810		2				
047	620525-4	副控制器 - DVC260		1				
048	183K74-3	開關殼組 - DVC261		1				
C10	818F86-4	SWITCH LABEL		1				
D10		INC. 40						
049	266130-9	螺絲M3X16 - 6019DW		2				
050	699136-6	POWER SUPPLY CORD UNIT		1				
051	162700-1	HARNESS		1				
052	265008-3	十字槽平頭螺絲M5 (新式)		6				
A01	199453-9	HOSE COMPLETE 32-1.0 SET		1				
A02	166116-2	喉箍 - DVC260		1				
A03	191C26-2	FILTER BAG SET		1				
A04	197901-2	FLEXIBLE RUBBER NOZZLE SET EU		1				
A05	127082-8	NOZZLE ASSEMBLY		1				
A06	140G19-0	TELESCOPIC PIPE COMPLETE		1				
A07	140G26-3	BENT PIPE COMPLETE		1				
A09	198878-4	ROUND BRUSH SET 28 WHI EU		1				
A10	191C30-1	DUST BAG SET		1				
A11	199038-1	SEAT NOZZLE SET 28 WHI EU		1				
A15	198919-6	LONG SASH NOZZLE SET 28 WHI EU		1				
A16	199439-3	窄縫吸嘴415(白)		1				

Please order the parts with part number.

Print Date 4/12/2019