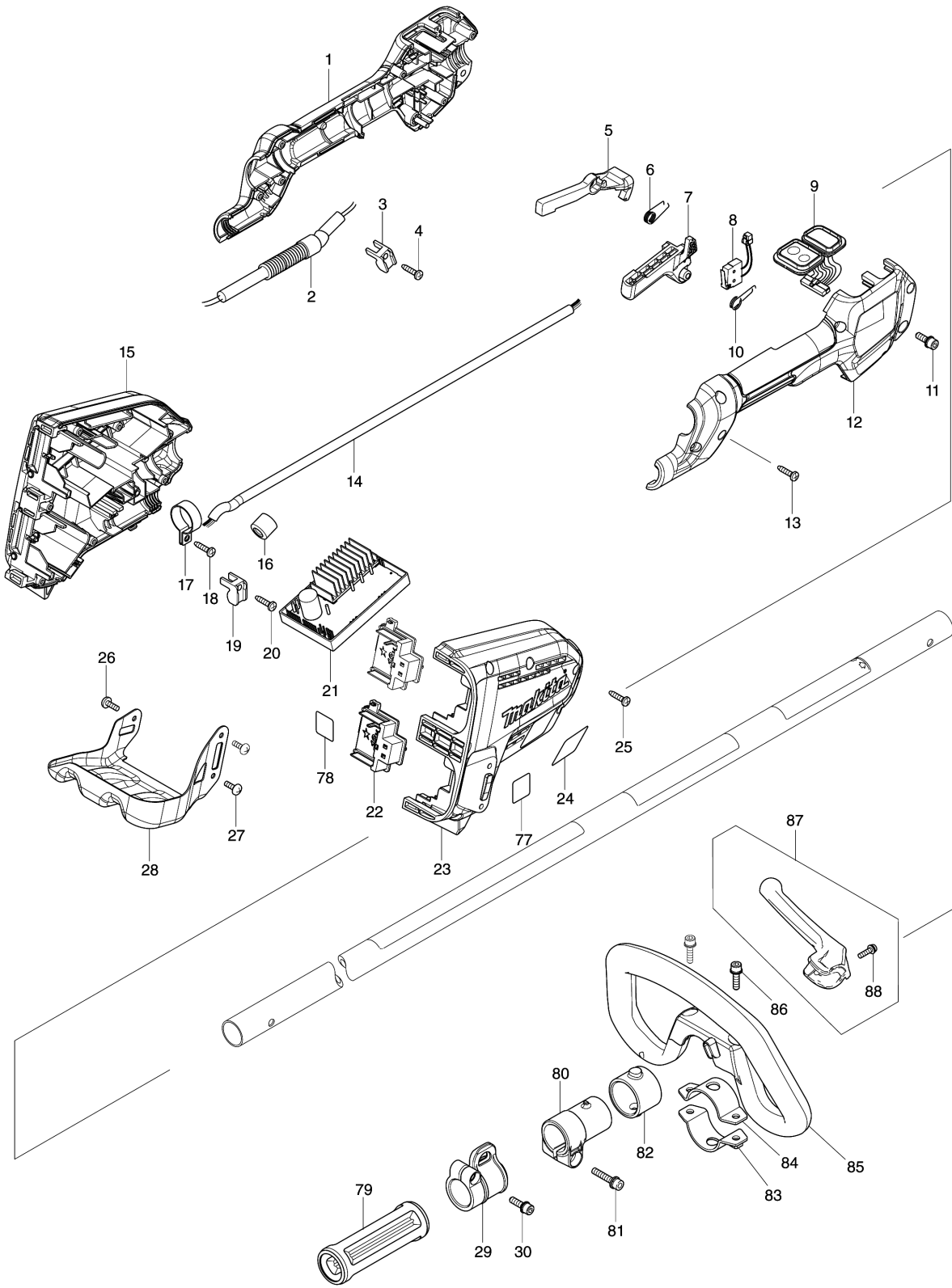
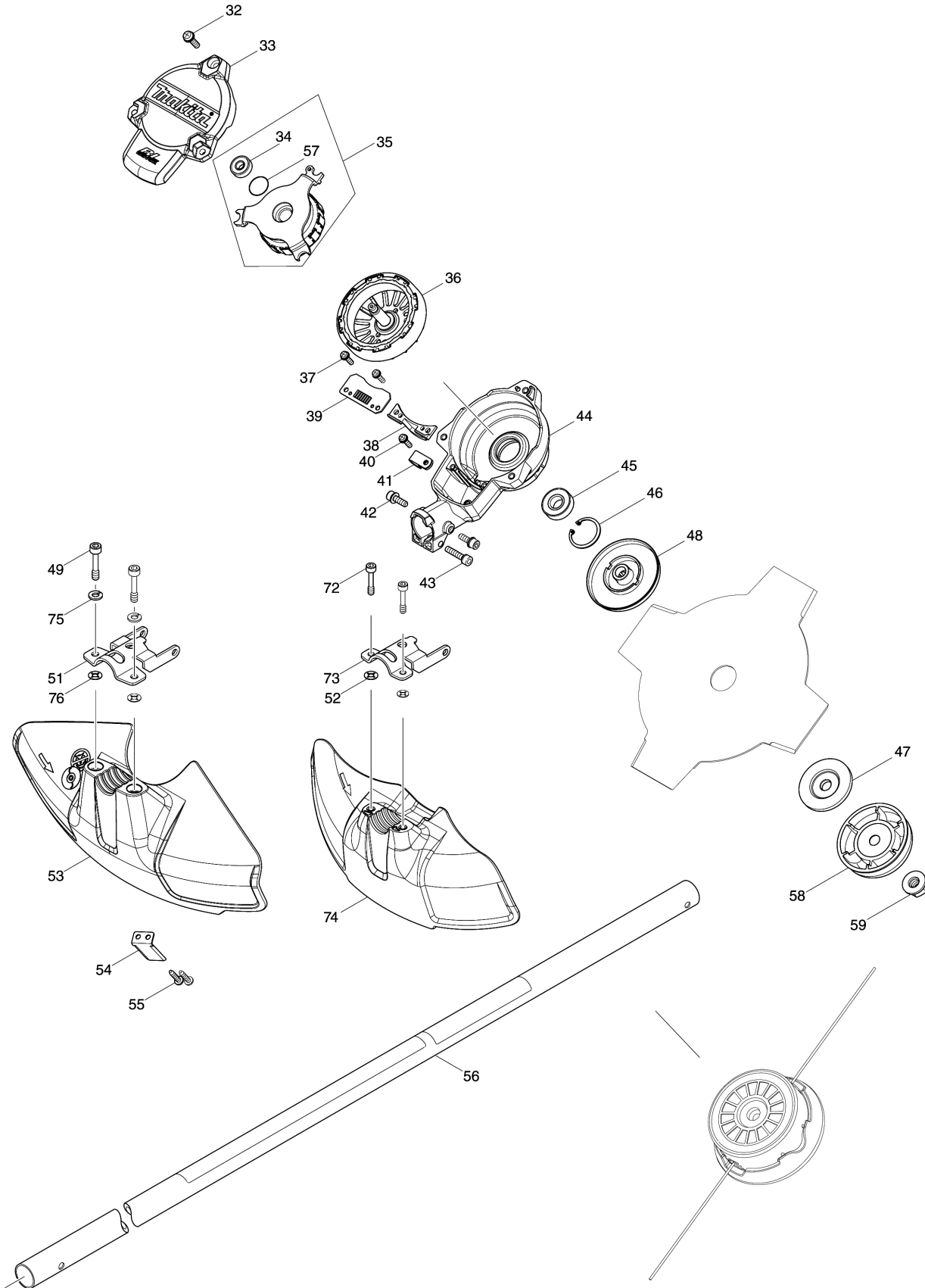


Model No.DUR368L CORDLESS GRASS TRIMMER



Model No.DUR368L CORDLESS GRASS TRIMMER



Model No.DUR368L CORDLESS GRASS TRIMMER

分解圖號	零件編號	品名	交換	數量	New/Old	選擇1	選擇2	註記
001	183A19-1	GRIP SET		1				
D10		INC. 12						
002	699119-6	POWER SUPPLY CORD UNIT		1				
003	687260-7	STRAIN RELIEF		1				
004	266326-2	TAPPING SCREW 4X18		1				
005	455629-1	LOCK OFF LEVER		1				
006	233621-5	TORSION SPRING 9		1				
007	455625-9	SWITCH LEVER		1				
008	632E26-0	SWITCH UNIT		1				
009	140L81-5	SUB CONTROLLER COMPLETE G		1				
C10	819N38-6	SWITCH LABEL		1				
C20	819N39-4	INDICATION LABEL		1				
010	233612-6	TORSION SPRING 10		1				
011	922228-9	H.S.H.BOLT M5X18 WITH WR		1				
012	183A19-1	GRIP SET		1				
D10		INC. 1						
013	266326-2	TAPPING SCREW 4X18		6				
014	699067-9	POWER SUPPLY CORD UNIT		1				
015	183L33-3	HOUSING SET		1				
C10	263005-3	RUBBER PIN 6		4				
C20	252126-6	HEX. LOCKING NUT M4-7		3				
D10		INC. 23						
016	688163-8	LINE FILTER		1				
017	346248-3	CLAMP 24		1				
018	266326-2	TAPPING SCREW 4X18		1				
019	687260-7	STRAIN RELIEF		1				
020	266326-2	TAPPING SCREW 4X18		1				
021	620A36-5	CONTROLLER		1				
022	644808-8	TERMINAL		2				
023	183L33-3	HOUSING SET		1				
C10	263005-3	RUBBER PIN 6		4				
C20	252126-6	HEX. LOCKING NUT M4-7		3				
D10		INC. 15						
024	855V75-4	DUR368L NAME PLATE		1				
025	266326-2	TAPPING SCREW 4X18		7				
026	251314-2	+ SCREW M4X12		1				
027	251314-2	+ SCREW M4X12		2				
028	346858-6	BATTERY GUARD		1				
029	168478-4	HANGER		1				
030	922228-9	H.S.H.BOLT M5X18 WITH WR		1				
032	911233-1	PAN HEAD SCREW M5X20		3				

Model No.DUR368L CORDLESS GRASS TRIMMER

分解圖號	零件編號	品名	交換	數量	New/Old	選擇1	選擇2	註記
033	455626-7	TOP COVER		1				
034	210062-2	BALL BEARING 607ZZ		1				
035	529146-8	STATOR ASS'Y		1				
D10		INC. 34,57						
036	619462-7	ROTOR		1				
037	911128-8	P.H.SCREW M4X16 WITH WR		2				
038	455628-3	INNER COVER		1				
039	620562-8	CONTROLLER B		1				
040	911128-8	P.H.SCREW M4X16 WITH WR		1				
041	687042-7	STRAIN RELIEF		1				
042	922223-9	H.S.H.BOLT M5X16 WITH WR		2				
043	922241-7	HEX. SOCKET HEAD BOLT M5X25		1				
044	143039-1	MOTOR HOUSING COMPLETE		1				
045	211131-2	BALL BEARING 6001DDW		1				
046	962106-1	RETAINING RING R-28		1				
048	140L84-9	RECEIVE WASHER COMPLETE G		1				
049	266579-3	HEX SOCKET HEAD BOLT M6X30		2				
051	346073-2	PROTECTOR CLAMP		1				
052	261156-6	POLYPROPYLENE WASHER 4		2				
053	455926-5	PROTECTOR		1				
054	346855-2	CUTTER		1				
055	266326-2	TAPPING SCREW 4X18		2				
056	140L89-9	PIPE COMPLETE O		1				
C10	819312-8	MAKITA LOGO LABEL		1				
C20	819N87-3	CAUTION LABEL		1				
057	213325-5	O RING 19		1				
072	266896-1	HEX. SOCKET HEAD BOLT M5X20		2				
073	346785-7	PROTECTOR CLAMP		1				
074	455815-4	PROTECTOR		1				
075	253428-3	SPRING WASHER 6		2				
076	413143-3	WASHER		2				
077	807E85-5	SOUND 92DB LABEL		1				
078	855V83-5	DUR368L SERIAL NO. LABEL		1				
079	451601-1	SPACER 24		1				
080	457269-1	PIPE HOLDER 24		1				
081	922244-1	H.S.H.BOLT M5X25 WITH WG		1				
082	424942-8	DAMPER		1				
083	347114-7	LOWER CLAMP 35		1				
084	347113-9	UPPER CLAMP 35		1				
085	457267-5	LOOP HANDLE		1				

Model No.DUR368L CORDLESS GRASS TRIMMER

分解圖號	零件編號	品名	交換	數量	New/Old	選擇1	選擇2	註記
086	922234-4	H.S.H.BOLT M5X20 WITH WG		2				
087	144315-6	BARRIER COMPLETE		1				
D10		INC. 88						
088	911128-8	P.H.SCREW M4X16 WITH WR		1				
A01	125516-5	BAND ASSEMBLY		1				
A02	198892-0	CUTTER ASSEMBLY 95-M10L SET M		1				
A03	195246-2	SAFETY GOGGLE		1				
A06	783202-0	HEX. WRENCH 4		1				
A07	831304-7	ACCESSORY BAG		1				
A08	783217-7	HEX. WRENCH 5		1				
A10	126642-3	PLASTIC BLADE ASSEMBLY255-M10L		1				

Please order the parts with part number.

Print Date 16/7/2019