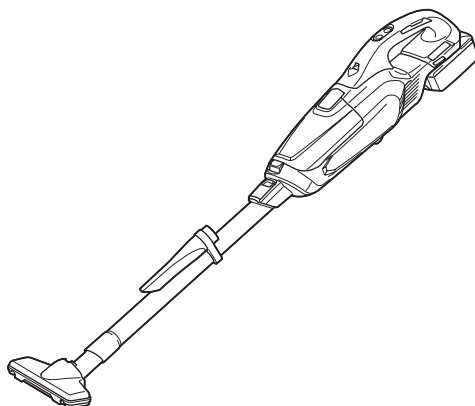


INSTRUCTION MANUAL



# Cordless Cleaner

## DCL282F



Read before use.

# WARNING

This appliance can be used by children aged from 8 years and above and persons with reduced physical, sensory or mental capabilities or lack of experience and knowledge if they have been given supervision or instruction concerning use of the appliance in a safe way and understand the hazards involved. Children shall not play with the appliance. Cleaning and user maintenance shall not be made by children without supervision.

# SPECIFICATIONS

Model:		DCL282F
Capacity	with a dust bag	500 mL
	with a paper filter	330 mL
Continuous use (with battery BL1830B)	1 (Normal speed mode)	Approx. 50 min
	2 (High speed mode)	Approx. 20 min
	3 (Max speed mode)	Approx. 15 min
Overall length		1,016 mm
Rated voltage		D.C. 18 V
Net weight		1.3 - 1.6 kg

- Due to our continuing program of research and development, the specifications herein are subject to change without notice.
- Specifications may differ from country to country.
- The weight does not include accessories but battery cartridge(s). The lightest and heaviest combination weight of the appliance and battery cartridge(s) are shown in the table.

## Applicable battery cartridge and charger

Battery cartridge	BL1815N / BL1820 / BL1820B / BL1830 / BL1830B / BL1840 / BL1840B / BL1850 / BL1850B / BL1860B
Charger	DC18RC / DC18RD / DC18RE / DC18SD / DC18SE / DC18SF

- Some of the battery cartridges and chargers listed above may not be available depending on your region of residence.

**⚠ WARNING: Only use the battery cartridges and chargers listed above.** Use of any other battery cartridges and chargers may cause injury and/or fire.

## Symbols

The followings show the symbols used for the equipment. Be sure that you understand their meaning before use.



Read instruction manual.



Only for EU countries  
Do not dispose of electric equipment or battery pack together with household waste material! In observance of the European Directives, on Waste Electric and Electronic Equipment and Batteries and Accumulators and Waste Batteries and Accumulators and their implementation in accordance with national laws, electric equipment and batteries and battery pack(s) that have reached the end of their life must be collected separately and returned to an environmentally compatible recycling facility.

## Intended use

The tool is intended for collecting dry dust.

# SAFETY WARNINGS

## Cordless cleaner safety warnings

**⚠ WARNING: IMPORTANT! READ CAREFULLY** all safety warnings and all instructions **BEFORE USE**. Failure to follow the warnings and instructions may result in electric shock, fire and/or serious injury.

1. Do not expose to rain. Store indoors.
2. Do not allow to be used as a toy. Close attention is necessary when used by or near children.
3. Use only as described in this manual. Use only manufacturer's recommended attachments.
4. Do not use with damaged battery. If appliance is not working as it should, has been dropped, damaged, left outdoors, or dropped into water, return it to a service center.
5. Do not handle appliance with wet hands.
6. Do not put any object into openings. Do not use with any opening blocked; keep free of dust, lint, hair, and anything that may reduce air flow.
7. Keep hair, loose clothing, fingers, and all parts of body away from openings and moving parts.
8. Turn off all controls before removing the battery.
9. Use extra care when cleaning on stairs.
10. Do not use to pick up flammable or combustible liquids, such as gasoline, or use in areas where they may be present.
11. Use only the charger supplied by the manufacturer to recharge.
12. Do not pick up anything that is burning or smoking, such as cigarettes, matches, or hot ashes.
13. Do not use without dust bag and/or filters in place.
14. Do not charge the battery outdoors.
15. Recharge only with the charger specified by the manufacturer. A charger that is suitable for one type of battery pack may create a risk of fire when used with another battery pack.
16. Use power tools only with specifically designated battery packs. Use of any other battery packs may create a risk of injury and fire.
17. When (the) battery pack is not in use, keep it away from other metal objects, like paper clips, coins, keys, nails, screws or other small metal objects, that can make a connection from one terminal to another.
18. Under abusive conditions, liquid may be ejected from the battery; avoid contact. If contact accidentally occurs, flush with water.
19. Do not use a battery pack or tool that is damaged or modified. Damaged or modified batteries may exhibit unpredictable behaviour resulting in fire, explosion or risk of injury.
20. Do not expose a battery pack or tool to fire or excessive temperature. Exposure to fire or temperature above 130 °C may cause explosion.

21. Follow all charging instructions and do not charge the battery pack or tool outside the temperature range specified in the instructions. Charging improperly or at temperatures outside the specified range may damage the battery and increase the risk of fire.

## SAVE THESE INSTRUCTIONS.

### ADDITIONAL SAFETY RULES

This appliance is intended for household use.

1. Read this instruction manual and the charger instruction manual carefully before use.
2. Do not pick up the following materials:
  - Hot materials such as lit cigarettes or spark/metal dust generated by grinding/cutting metal
  - Flammable materials such as gasoline, thinner, benzene, kerosene or paint
  - Explosive materials like nitroglycerin
  - Ignitable materials such as Aluminum, zinc, magnesium, titanium, phosphorus or celluloid
  - Wet dirt, water, oil or the like
  - Hard pieces with sharp edges, such as wood chips, metals, stones, glasses, nails, pins or razors
  - Powder to clot such as cement or toner
  - Conductive dust such as metal or carbon
  - Fine particle like concrete dustSuch action may cause fire, injury and/or property damage.
3. Stop operation immediately if you notice anything abnormal.
4. If you drop or strike the cleaner, check it carefully for cracks or damage before operation.
5. Do not bring close to stoves or other heat sources.
6. Do not block the intake hole or vent holes.

## SAVE THESE INSTRUCTIONS.

### Important safety instructions for battery cartridge

1. Before using battery cartridge, read all instructions and cautionary markings on (1) battery charger, (2) battery, and (3) product using battery.
2. Do not disassemble battery cartridge.
3. If operating time has become excessively shorter, stop operating immediately. It may result in a risk of overheating, possible burns and even an explosion.
4. If electrolyte gets into your eyes, rinse them out with clear water and seek medical attention right away. It may result in loss of your eyesight.
5. Do not short the battery cartridge:
  - (1) Do not touch the terminals with any conductive material.
  - (2) Avoid storing battery cartridge in a container with other metal objects such as nails, coins, etc.

- (3) Do not expose battery cartridge to water or rain.

A battery short can cause a large current flow, overheating, possible burns and even a breakdown.

6. Do not store the tool and battery cartridge in locations where the temperature may reach or exceed 50 °C (122 °F).
7. Do not incinerate the battery cartridge even if it is severely damaged or is completely worn out. The battery cartridge can explode in a fire.
8. Be careful not to drop or strike battery.
9. Do not use a damaged battery.
10. The contained lithium-ion batteries are subject to the Dangerous Goods Legislation requirements.

For commercial transports e.g. by third parties, forwarding agents, special requirement on packaging and labeling must be observed. For preparation of the item being shipped, consulting an expert for hazardous material is required. Please also observe possibly more detailed national regulations.

Tape or mask off open contacts and pack up the battery in such a manner that it cannot move around in the packaging.

11. Follow your local regulations relating to disposal of battery.
12. Use the batteries only with the products specified by Makita. Installing the batteries to non-compliant products may result in a fire, excessive heat, explosion, or leak of electrolyte.

## SAVE THESE INSTRUCTIONS.

**CAUTION:** Only use genuine Makita batteries. Use of non-genuine Makita batteries, or batteries that have been altered, may result in the battery bursting causing fires, personal injury and damage. It will also void the Makita warranty for the Makita tool and charger.

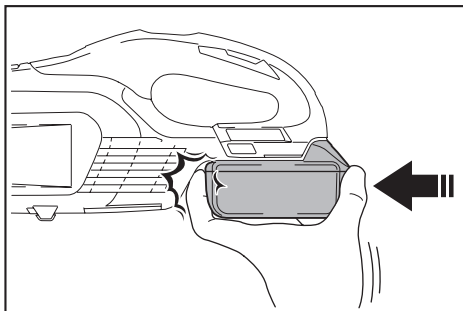
## Tips for maintaining maximum battery life

1. Charge the battery cartridge before completely discharged. Always stop tool operation and charge the battery cartridge when you notice less tool power.
2. Never recharge a fully charged battery cartridge. Overcharging shortens the battery service life.
3. Charge the battery cartridge with room temperature at 10 °C - 40 °C (50 °F - 104 °F). Let a hot battery cartridge cool down before charging it.
4. Charge the battery cartridge if you do not use it for a long period (more than six months).

## FUNCTIONAL DESCRIPTION

**CAUTION:** Always be sure that the tool is switched off and the battery cartridge is removed before adjusting or checking function on the tool.

**CAUTION:** Take care not to trap finger(s) between cleaner and battery as shown in diagram when loading battery. Trapping finger(s) may cause injury.

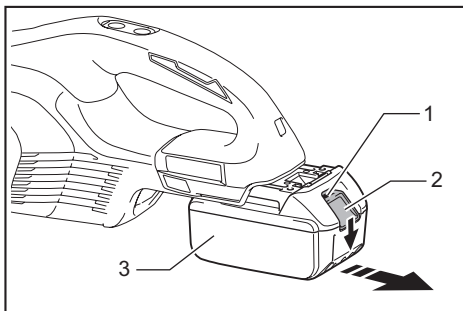


## Installing or removing battery cartridge

**CAUTION:** Always switch off the tool before installing or removing of the battery cartridge.

**CAUTION:** Hold the tool and the battery cartridge firmly when installing or removing battery cartridge.

Failure to hold the tool and the battery cartridge firmly may cause them to slip off your hands and result in damage to the tool and battery cartridge and a personal injury.



► 1. Red indicator 2. Button 3. Battery cartridge

To remove the battery cartridge, slide it from the tool while sliding the button on the front of the cartridge.

To install the battery cartridge, align the tongue on the battery cartridge with the groove in the housing and slip it into place. Insert it all the way until it locks in place with a little click. If you can see the red indicator on the upper side of the button, it is not locked completely.

**CAUTION:** Always install the battery cartridge fully until the red indicator cannot be seen. If not, it may accidentally fall out of the tool, causing injury to you or someone around you.

**CAUTION:** Do not install the battery cartridge forcibly. If the cartridge does not slide in easily, it is not being inserted correctly.

## Battery protection system

The tool is equipped with a tool/battery protection system. This system automatically cuts off power to the motor to extend tool and battery life. The tool will automatically stop during operation if the tool or battery is placed under one of the following conditions.

### Overloaded:

The tool is operated in a manner that causes it to draw an abnormally high current. In this situation, turn the tool off and stop the application that caused the tool to become overloaded. Then turn the tool on to restart.

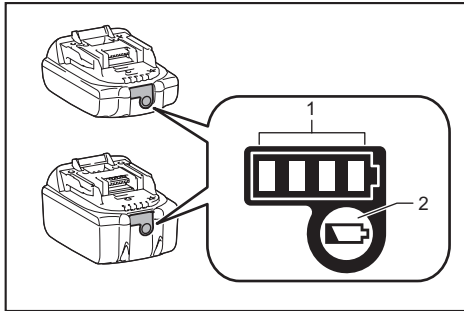
If the tool does not start, the battery is overheated. In this situation, let the battery cool before turning the tool on again.

### Low battery voltage:

The remaining battery capacity is too low and the tool will not operate. In this situation, remove and recharge the battery.

## Indicating the remaining battery capacity

*Only for battery cartridges with the indicator*



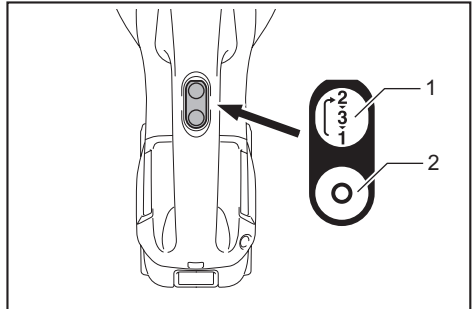
► 1. Indicator lamps 2. Check button

Press the check button on the battery cartridge to indicate the remaining battery capacity. The indicator lamps light up for a few seconds.

Indicator lamps			Remaining capacity
Lighted	Off	Blinking	
■ ■ ■ ■	□ □ □ □	▬	75% to 100%
■ ■ ■ □	□ □ □ □	▬	50% to 75%
■ ■ □ □	□ □ □ □	▬	25% to 50%
■ □ □ □	□ □ □ □	▬	0% to 25%
▬ □ □ □	□ □ □ □	▬	Charge the battery.
■ ■ □ □	□ □ □ □	▬	The battery may have malfunctioned.
□ □ ■ ■	□ □ □ □	▬	

**NOTE:** Depending on the conditions of use and the ambient temperature, the indication may differ slightly from the actual capacity.

## Switch action



► 1. ON/speed change button 2. OFF button

To start the cleaner, simply push the ON/speed change button. To switch off, push the OFF button.

You can change the cleaner speed in three steps by pushing the ON/speed change button.

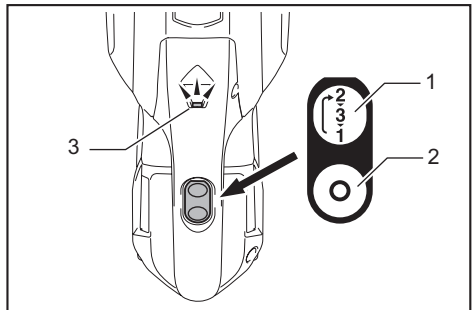
The first push on this button is for high speed mode, the second push for max speed mode and the third push for normal speed mode. Each push on this button repeats the high/max/normal speed cycle alternatively.

## Lighting up the lamp

**CAUTION:** Do not look in the light or see the source of light directly.

To turn on the lamp, push the ON/speed change button. Push the OFF button to turn off the lamp. During the tool actuating, the lamp turns on.

When the remaining battery capacity gets low, the lamp starts blinking.



► 1. ON/speed change button 2. OFF button 3. Lamp

**NOTE:** The timing, at which the lamp starts blinking, depends on the temperature at work place and the battery cartridge conditions.

# ASSEMBLY

**CAUTION:** Always be sure that the tool is switched off and the battery cartridge is removed before carrying out any work on the tool.

## Dust bag and paper filter

Install either dust bag or paper filter before using cleaner.  
Use the dust stopper when installing either dust bag or paper filter.  
Dust bag are usable many times repeatedly by cleaning it out.  
Paper filter is a throw-away type. Throw away the entire paper filter without emptying when it has become full.

**NOTICE:** To prevent dust from getting into the motor:

- Make sure that the dust bag or paper filter is installed before use.
- Insert the dust stopper together with the dust bag or paper filter all the way into the slots when installing them.
- Do not use a broken or ripped bag.

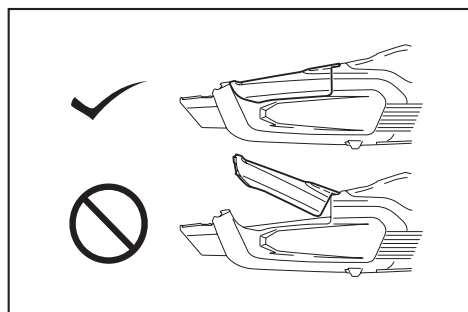
Otherwise the motor may be broken.

**NOTICE:** Do not fold the cardboard at its opening when installing the paper filter.

**NOTICE:** Never throw away the dust stopper because it needs to be used repeatedly whenever either the dust bag or the paper filter is used.

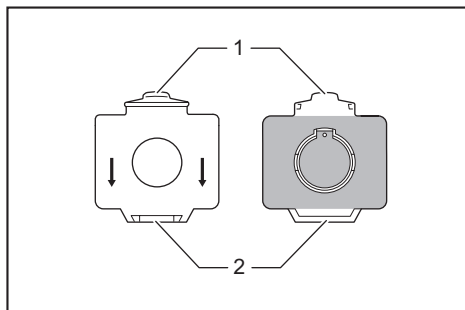
**NOTICE:** The paper filter for the cleaner is an important component for maintaining the tool performance. Using other than the genuine paper filter may cause smokes or ignition.

**NOTE:** When the dust bag or the paper filter is not installed in the cleaner, the front cover does not close completely.



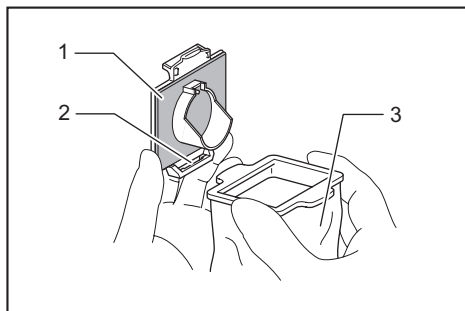
## Installing dust bag

Use the dust stopper when installing dust bag. Be careful not to take the upper side for the lower side by mistake because they are different each other.



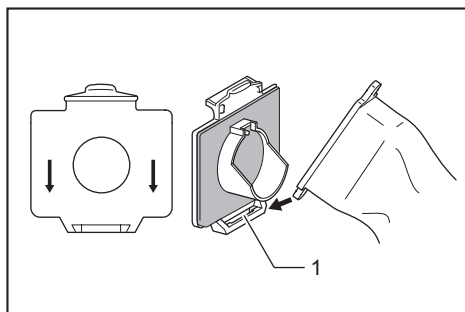
- 1. Upper side of dust stopper 2. Lower side of dust stopper

1. Insert the protrusion of the dust bag into the lower groove on the dust stopper as shown in the figure.



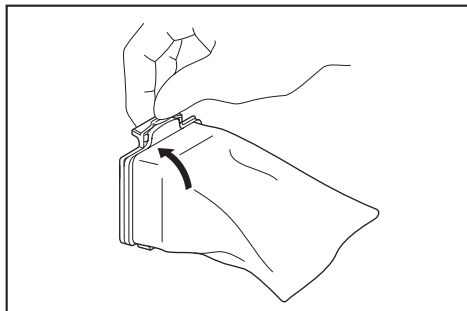
- 1. Dust stopper 2. Lower groove 3. Dust bag

2. There is no distinction between the upper and lower sides of the dust bag. You may insert its protrusion of either side into the lower groove of the dust stopper.

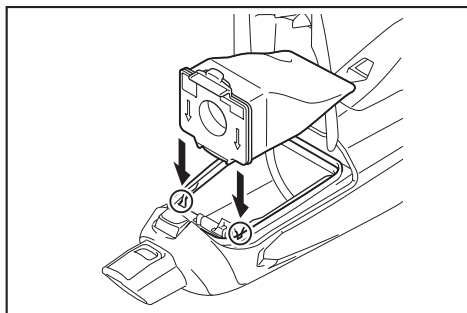


- 1. Lower groove

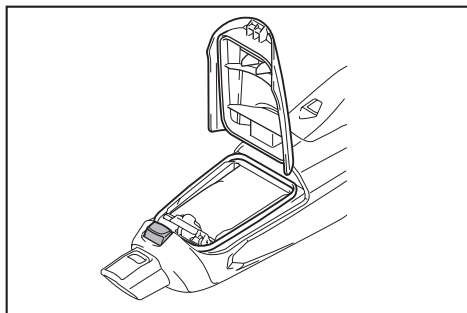
3. Overlap the frame of dust stopper with that of the dust bag.



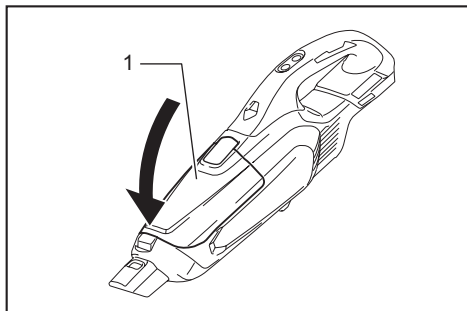
4. Place the dust stopper and the dust bag together into the cleaner cavity in the same direction of arrow on the dust stopper. Insert them all the way into the slots in the cleaner cavity.



5. Spread the cloth part of the dust bag inside the cleaner.



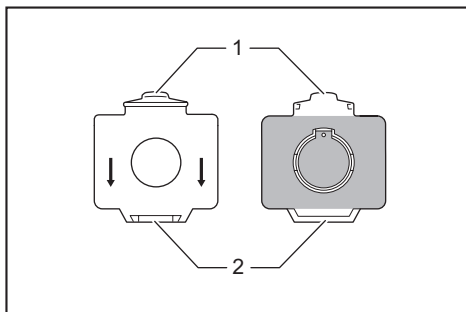
6. Close the front cover completely.



- 1. Front cover

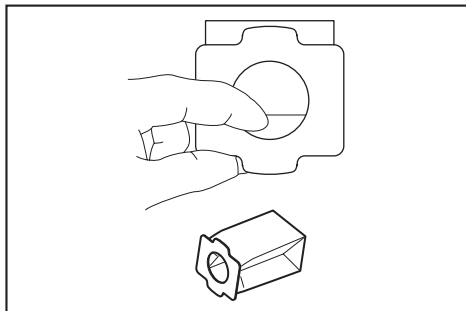
## Installing the paper filter

Use the dust stopper also when installing paper filter. Be careful not to take the upper side for the lower side by mistake because they are different each other.

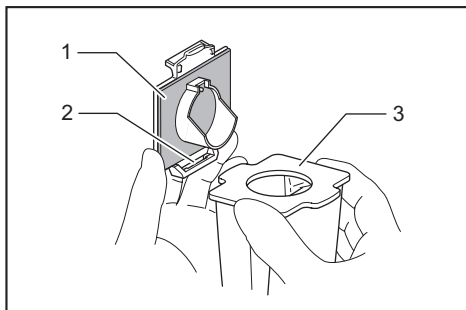


- 1. Upper side of dust stopper 2. Lower side of dust stopper

1. Unfold the entrance of the paper filter before setting it on the dust stopper.

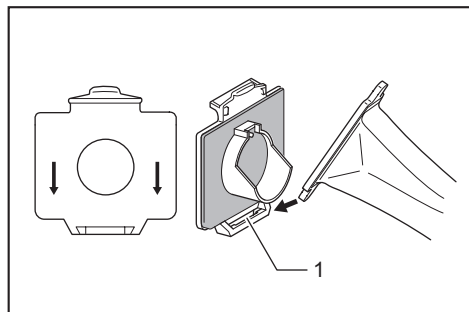


2. Insert the protrusion of the paper filter into the lower groove on the dust stopper as shown in the figure.



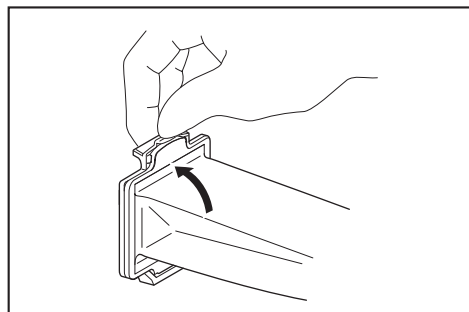
- 1. Dust stopper 2. Lower groove 3. Paper filter

3. There is no distinction between the upper and lower sides of the paper filter. You may insert its protrusion of any side into the lower groove of the dust stopper.

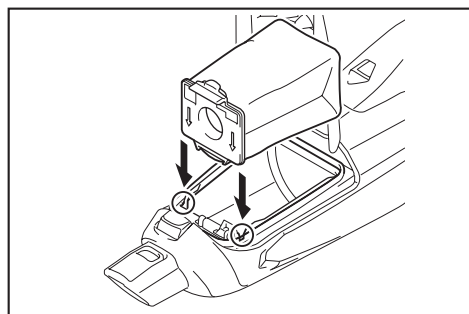


► 1. Lower groove

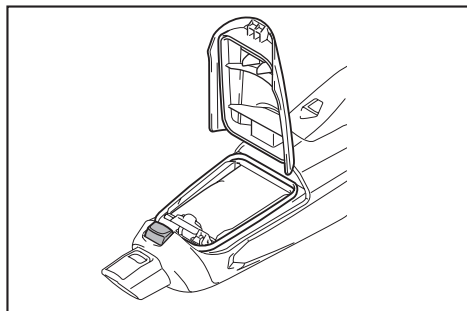
4. Overlap the frame of dust stopper with that of the paper filter.



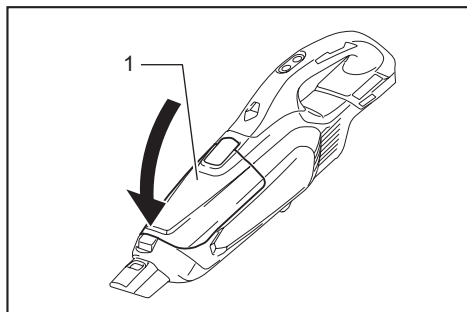
5. Place the dust stopper and the paper filter together into the cleaner cavity in the same direction of arrow on the dust stopper. Insert them all the way into the slots in the cleaner cavity.



6. Spread the container part of the paper filter inside the cleaner.



7. Close the front cover completely.



► 1. Front cover

## OPERATION

**⚠ CAUTION:** Do not move your face close to the air vent when operating the cleaner. If foreign objects are blown into eyes, it may result in personal injury.

### Installing or removing the cleaner attachment

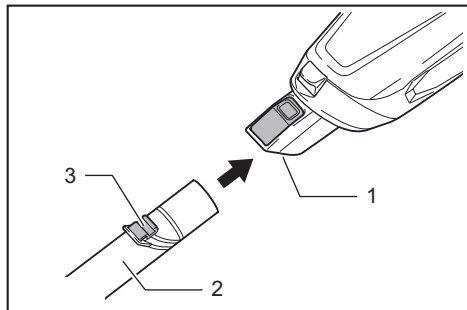
**⚠ CAUTION:** After installing attachment, check if it is securely installed. If install attachment imperfectly, it may come off and cause personal injury.

**⚠ CAUTION:** Be careful not to hit your hand on the wall etc. when removing the attachment.



## When using the extension wand with lock function

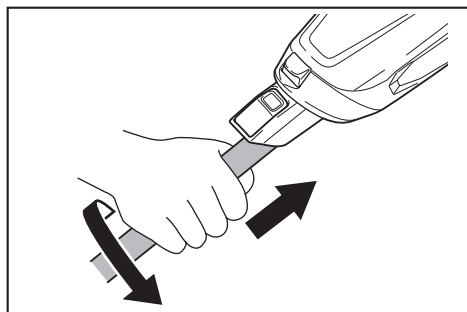
To install the extension wand, insert it to the suction inlet of the cleaner until it clicks. Make sure that the extension wand is locked.



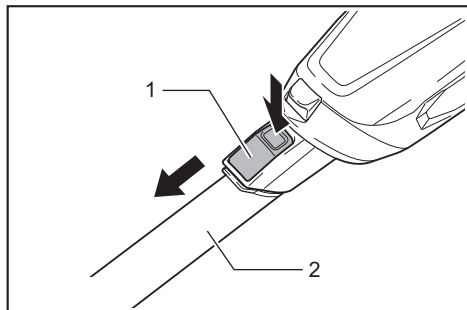
► 1. Suction inlet 2. Extension wand 3. Hook

**NOTE:** When installing the extension wand, be sure to align the release button with the hook on the extension wand. If they are not aligned, the wand will not be locked and may come off from the cleaner.

**NOTE:** When installing the extension wand without lock function (optional accessory), twist and insert it to the suction inlet of the cleaner. To disconnect, twist and remove it.



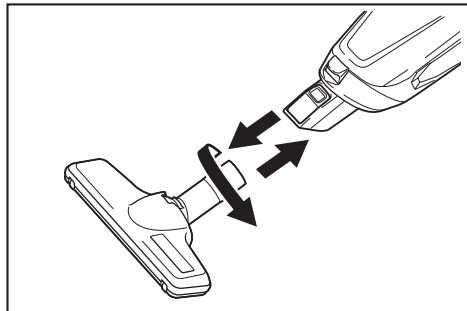
To remove, pull the extension wand while pushing the release button.



► 1. Release button 2. Extension wand

## When using the nozzle

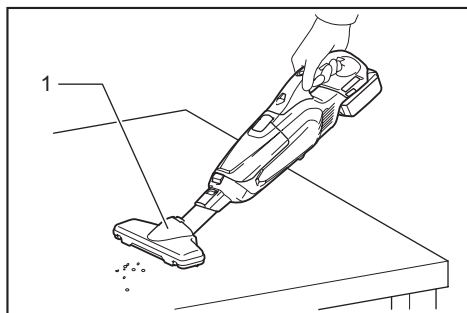
To install the nozzle, twist and insert it securely to the suction inlet of the cleaner or the end of extension wand. To disconnect, twist and remove it.



## Cleaning (Suction)

### Nozzle

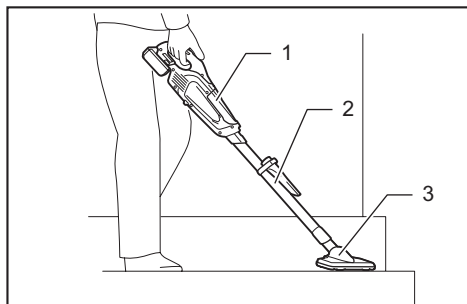
Attach the nozzle to clean off tables, desks, furniture, etc. The nozzle slips on easily.



► 1. Nozzle

### Nozzle + Extension wand (Straight pipe)

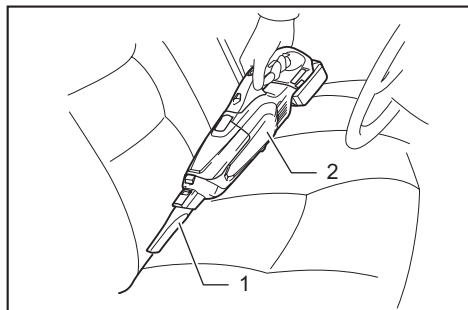
The extension wand fits in between the nozzle and the cleaner itself. This arrangement is convenient for cleaning a floor in a standing position.



► 1. Cleaner body 2. Extension wand 3. Nozzle

## Corner nozzle

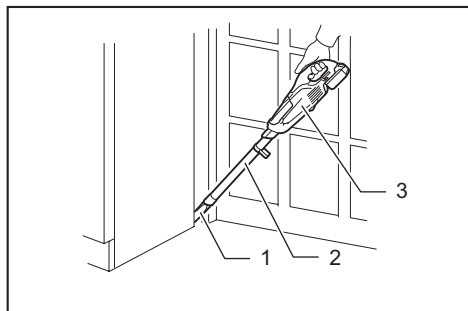
Fit on the corner nozzle for cleaning corners and crevices of a car or furniture.



► 1. Corner nozzle 2. Cleaner body

## Corner nozzle + Extension wand (Straight pipe)

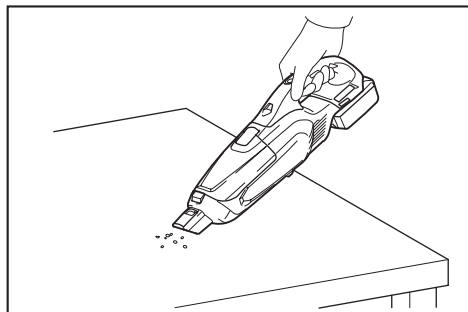
In tight quarters where the cleaner itself cannot squeeze in, or in high places hard to reach, use this arrangement.



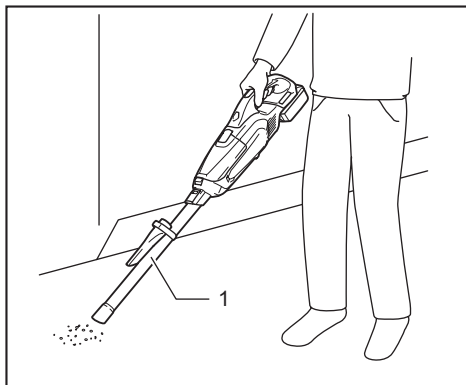
► 1. Corner nozzle 2. Extension wand 3. Cleaner body

## Cleaning without nozzle

You can pick up powder and dust without nozzle.



For picking up dust on a floor in a standing position, it is convenient to attach the extension wand to the cleaner.



► 1. Extension wand

## Disposing of dust

**CAUTION:** Empty the cleaner before it becomes too full, or the suction force weakens.

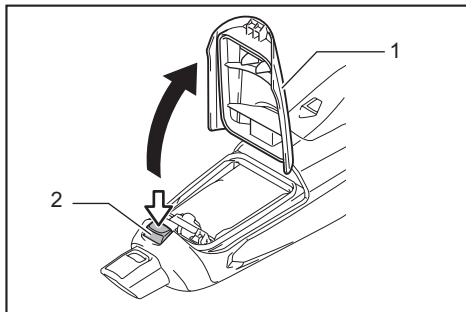
**CAUTION:** When closing the front cover, be careful not to pinch your fingers.

**NOTICE:** Never throw away the dust stopper because it should be used whenever either the dust bag or the paper filter is used.

**NOTICE:** When the dust bag/paper filter is not inside of the cleaner, the front cover does not close completely. Do not force to close the front cover. It may result in deforming or breakage of the tool.

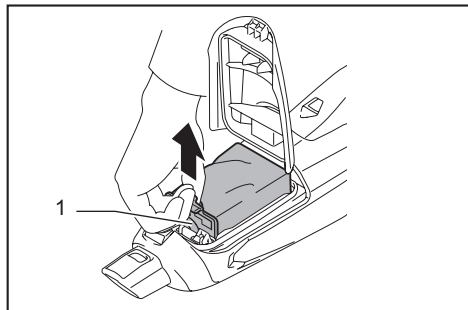
**NOTICE:** When disposing of dust, also clean the room for the dust bag/paper filter. The remaining dust and dirt in the room may cause the sponge filter to be clogged or the motor to be damaged.

1. Push the button to open the front cover. Opening it until a click is heard allows a positive stop at that position.



► 1. Front cover 2. Button

2. Pull out both the orange-colored dust stopper and dust bag/paper filter together at the same time.

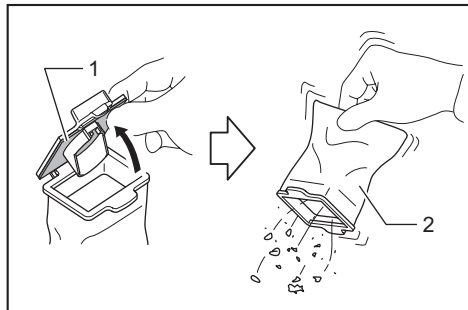


► 1. Dust stopper

3. Perform the procedures below depending on the dust container type:

**When using the dust bag**

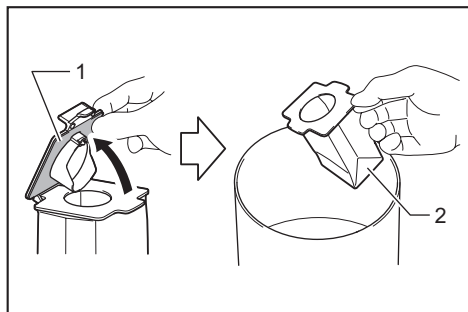
Remove the dust stopper and empty the dust bag.



► 1. Dust stopper 2. Dust bag

**When using the paper filter**

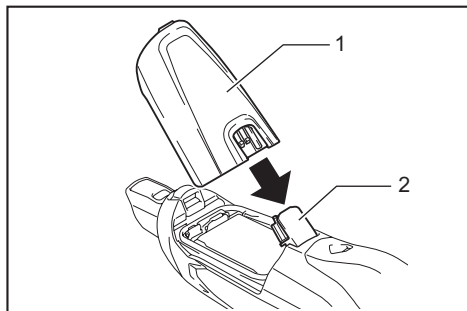
Remove the dust stopper and dispose of the paper filter.



► 1. Dust stopper 2. Paper filter

4. Place the dust bag/new paper filter and dust stopper together into the cleaner and close the front cover.

**NOTE:** The cleaner is constructed in such a way that the front cover comes off when trying to force the front cover open at the angle of more than 90°. If the front cover comes off, insert it into the front cover joint in place.



► 1. Front cover 2. Front cover joint

## MAINTENANCE

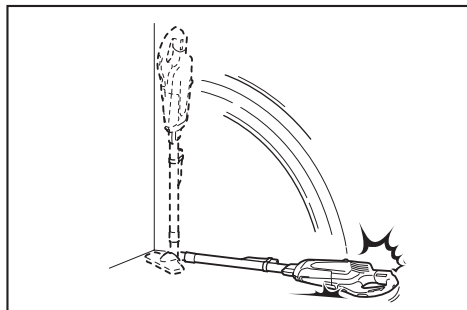
**CAUTION:** Always be sure that the tool is switched off and the battery cartridge is removed before attempting to perform inspection or maintenance.

To maintain product SAFETY and RELIABILITY, repairs, any other maintenance or adjustment should be performed by Makita Authorized or Factory Service Centers, always using Makita replacement parts.

**NOTICE:** Never use gasoline, benzine, thinner, alcohol or the like. Discoloration, deformation or cracks may result.

### After use

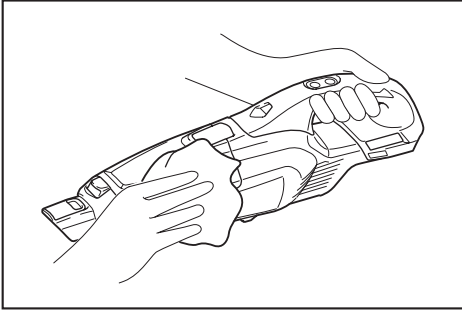
**NOTICE:** Putting the cleaner against the wall without any other support cause the cleaner to fall down and be damaged.



## Cleaning

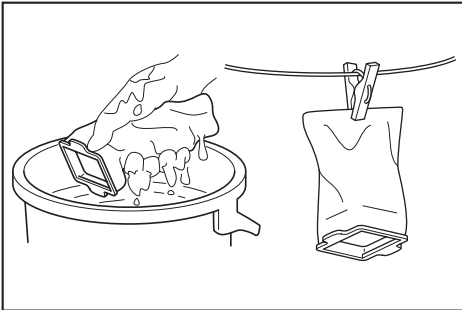
### Cleaner body

From time to time wipe off the outside (cleaner body) of the cleaner using a cloth dampened in soapy water. Clean out also the suction opening, dust bag/paper filter mounting area and the dust stopper.



### Dust bag

Wash the dust bag in soapy water when it is clogged with dust and the cleaner power becomes weak. Dry it out thoroughly before use. An insufficiently dried filter may cause poor suction and shorten the service life of the motor.

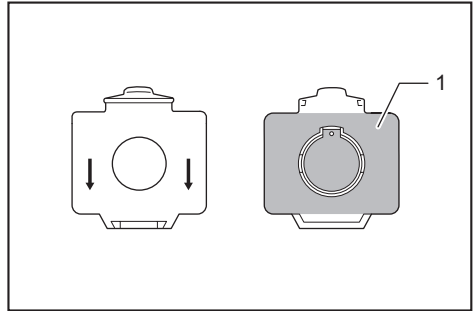


**NOTE:** Paper filter is a throw-away type.

When the sponge filter is clogged with dust, remove it from the cleaner and then wipe it off or wash in water.

### Dust stopper

Wipe dust off from the dust stopper.  
Remove dust and dirt on the sponge part by lightly tapping it.

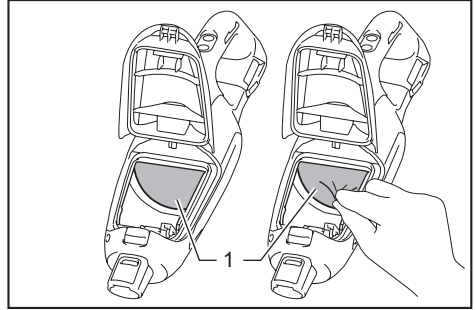


► 1. Sponge part

### Removing and installing the sponge filter

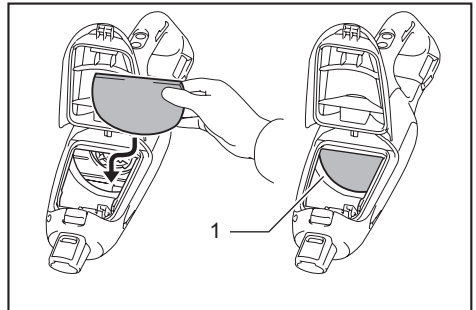
**CAUTION:** After cleaning sponge filter, be sure to install it on the cleaner. If washed in water, dry it up before installing. An insufficiently dried sponge filter may shorten the service life of the motor.

To remove the sponge filter, remove the dust bag or paper filter and then pinch and take the sponge filter out.



► 1. Sponge filter

Press in the whole edge of the sponge filter against the recessed wall inside the dust bag/paper filter mounting area.



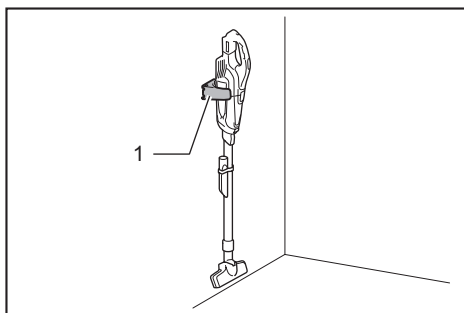
► 1. Recessed wall

## Wall mount for cordless cleaner

### Optional accessory

**NOTE:** The screw to mount the holder is not included. Prepare a screw which fits with the material to screw into.

Attach the wall mount for cordless cleaner to a hard wooden wall, beam or column, where the wall mount for cordless cleaner can be firmly secured. Always be sure that the wall mount for cordless cleaner is securely attached before hanging the cleaner.



► 1. Wall mount for cordless cleaner

**CAUTION:** Do not hang the cleaner to the wall mount violently or hang other appliances than the cleaner.

## Troubleshooting

Before asking for repairs, check the following points.

Symptom	Area to be investigated	Fixing method
Weak suction power	Is dust bag or paper filter full of dust ?	Empty dust bag or paper filter.
	Is dust bag clogged ?	Dust down or wash the dust bag.
	Is paper filter clogged ?	Replace paper filter.
	Is the battery cartridge exhausted ?	Charge the battery cartridge.
Not working	Is the battery cartridge exhausted ?	Charge the battery cartridge.
Dust case cover does not close	Is dust bag or paper filter set ?	Set dust bag or paper filter.

**NOTE:** Do not attempt to repair cleaner by yourself.

## OPTIONAL ACCESSORIES

**CAUTION:** These accessories or attachments are recommended for use with your Makita tool specified in this manual. The use of any other accessories or attachments might present a risk of injury to persons. Only use accessory or attachment for its stated purpose.

If you need any assistance for more details regarding these accessories, ask your local Makita Service Center.

- Extension wand (Straight pipe)
- Nozzle
- Nozzle for carpet
- Shelf brush
- Corner nozzle
- Round brush
- Flexible hose
- Paper filter
- Wall mount for cordless cleaner
- Makita genuine battery and charger
- Free nozzle
- Seat nozzle
- Crevice nozzle

**NOTE:** Some items in the list may be included in the tool package as standard accessories. They may differ from country to country.





**Makita Europe N.V.** Jan-Baptist Vinkstraat 2,  
3070 Kortenberg, Belgium

**Makita Corporation** 3-11-8, Sumiyoshi-cho,  
Anjo, Aichi 446-8502 Japan

[www.makita.com](http://www.makita.com)

885707-223 EN 20190129
------------------------------