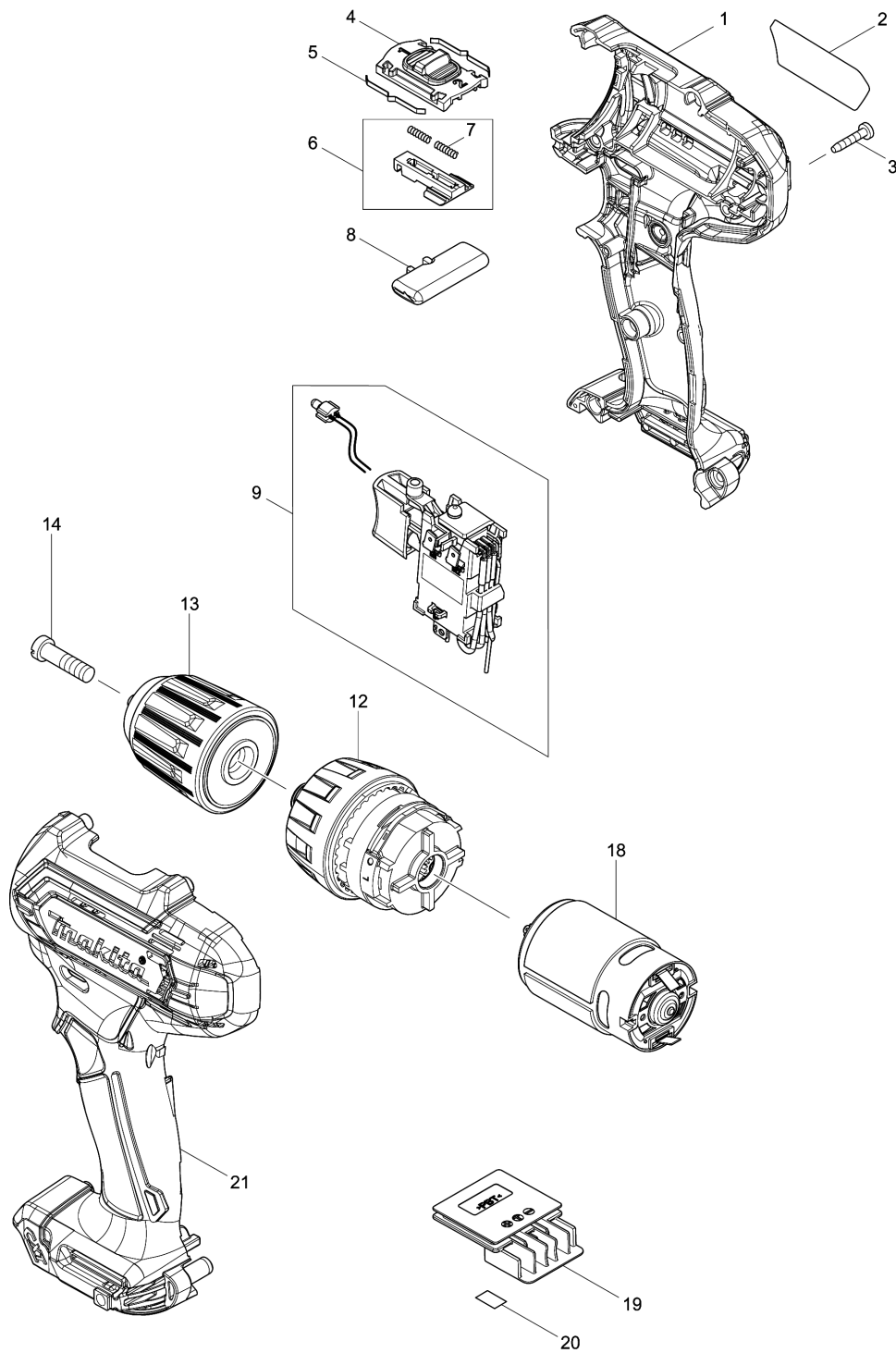


Model No.DF333D CORDLESS DRIVER DRILL



## Model No.DF333D CORDLESS DRIVER DRILL

分解圖號	零件編號	品名	交換	數量	New/Old	選擇1	選擇2	註記
001	183K90-5	HOUSING SET		1				
C10	252126-6	HEX. LOCKING NUT M4-7		2				
D10		INC. 21						
002	855E35-4	DF333D NAME PLATE		1				
003	266429-2	TAPPING SCREW 3X16		9				
004	459026-3	SPEED CHANGE LEVER		1				
005	232493-5	LEAF SPRING		2				
006	127127-2	CHANGE LEVER ASSEMBLY		1				
D10		INC. 7						
007	233025-1	COMPRESSION SPRING 2		2				
008	456039-5	F/R CHANGE LEVER		1				
009	632J76-5	SWITCH UNIT		1				
C10	620625-0	LED CIRCUIT		1				
C20	688161-2	LINE FILTER		1				
012	127125-6	GEAR ASSEMBLY		1				
013	763238-5	KEYLESS DRILL CHUCK 10		1				
014	251468-5	- FLAT HEAD SCREW M6X22		1				
018	629395-8	DC MOTOR		1				
019	644813-5	TERMINAL		1				
020	855E42-7	DF333D SERIAL NO. LABEL		1				
021	183K90-5	HOUSING SET		1				
C10	252126-6	HEX. LOCKING NUT M4-7		2				
D10		INC. 1						
A01	251314-2	+ SCREW M4X12		1				
A02	346909-5	HOOK		1				
A03	784202-3	PHILLIPS BIT 2-45		1				
A04Y	821661-1	PLASTIC CARRYING CASE		1				
C10	417724-5	LATCH		2				
A05Y	818P85-6	DF333DSAE MODEL NO. LABEL		1				
A08Y	456128-6	BATTERY COVER		1				
A09Y	***DC10SB	DC10SB BATTERY CHARGER		1				
D10		COMPO-PARTS						
A10Y	197396-9	BATTERY BL1021B SET		2	*			
A10-1Y	197396-9	BATTERY BL1021B SET	O	2				
E01	632N11-7	LINE FILTER UNIT		1				

Please order the parts with part number.

Print Date 3/4/2019