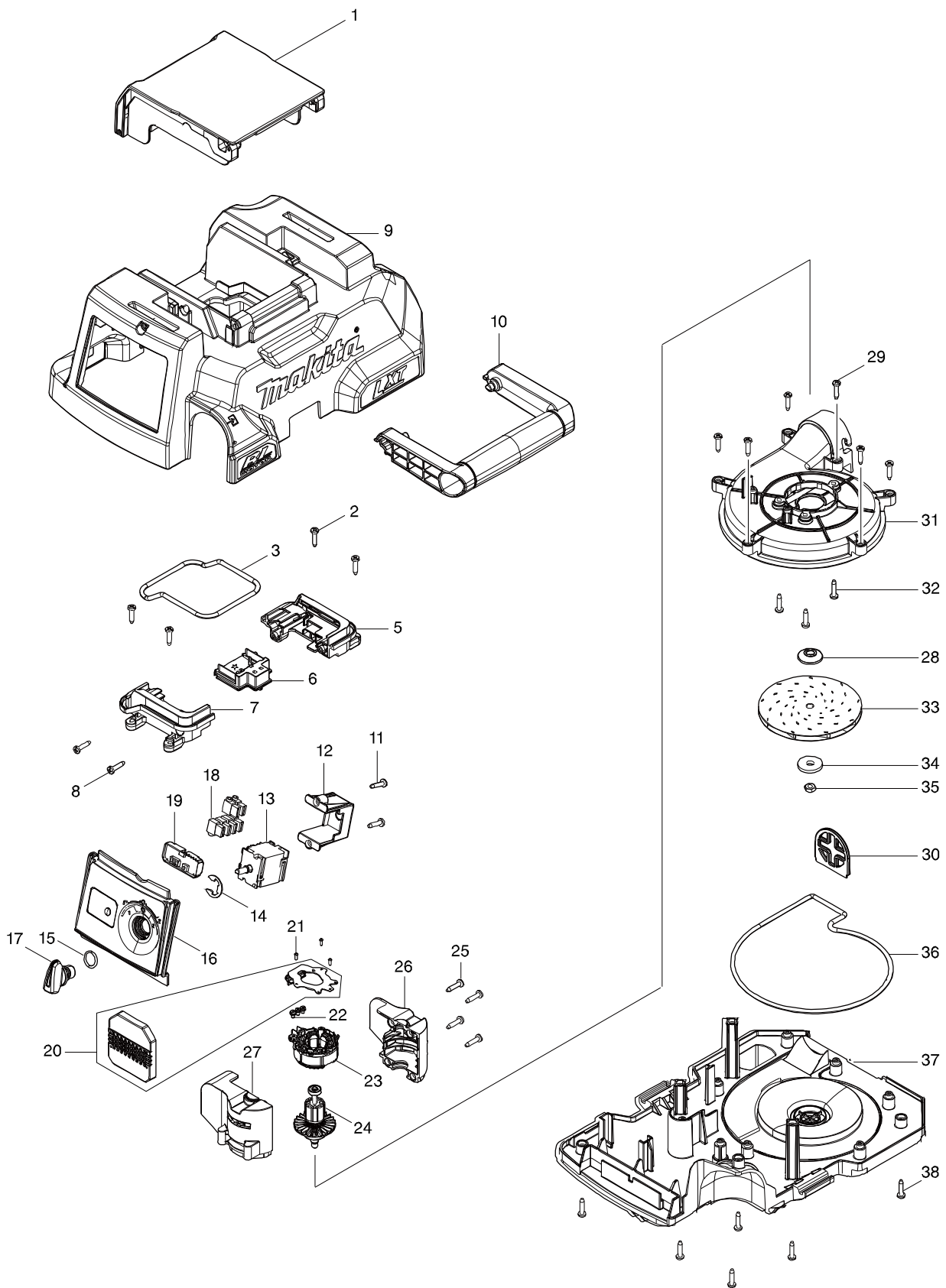
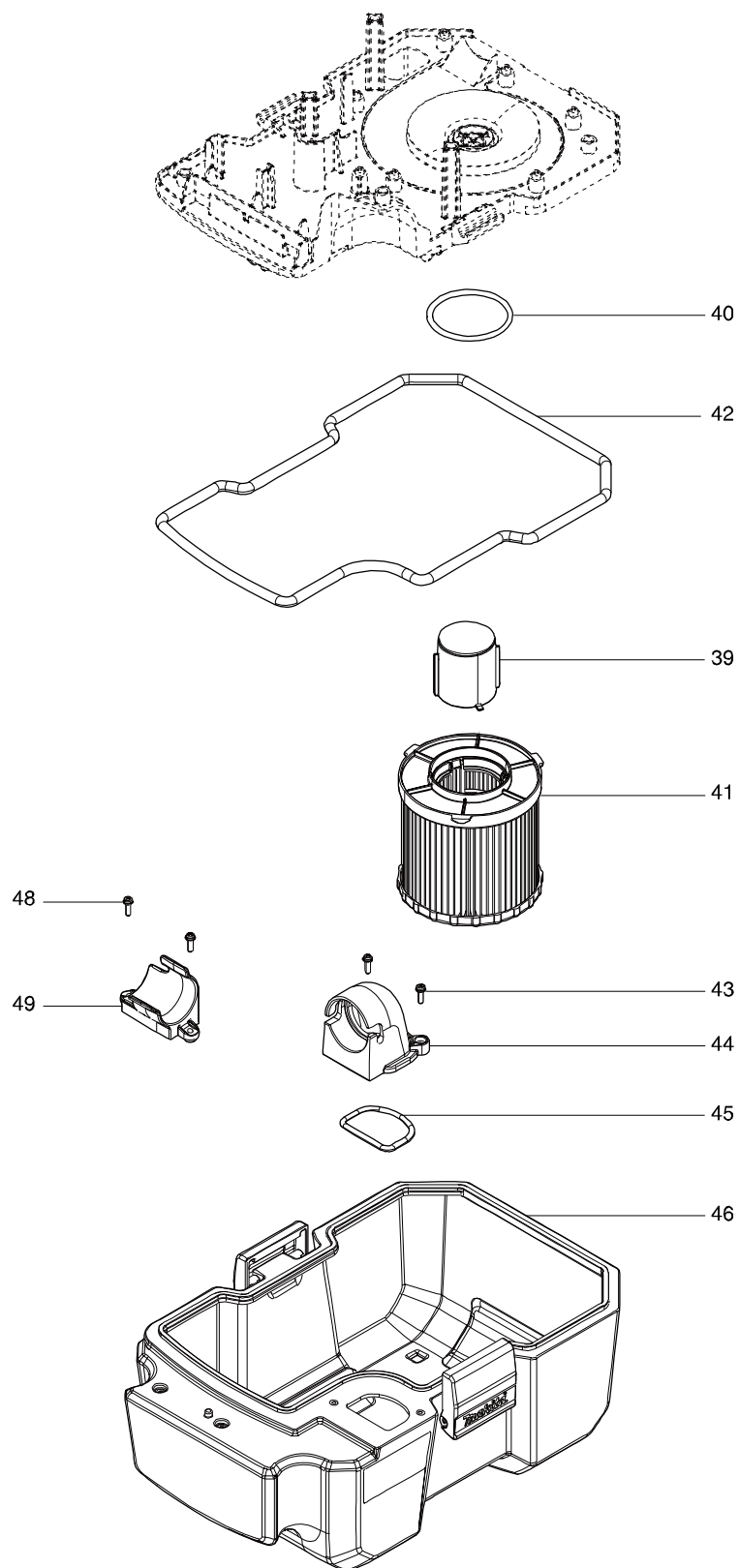


# Model No. DVC750L DC PORTABLE VACUUM CLEANER



# Model No. DVC750L DC PORTABLE VACUUM CLEANER



| Item  | Parts No. | Description              | I/C | Qty | N/O | Opt. 1 | Opt. 2 | Note |
|-------|-----------|--------------------------|-----|-----|-----|--------|--------|------|
| 001   | 140G64-5  | BATTERY COVER COMPLETE   |     | 1   |     |        |        |      |
| C10   | 891978-6  | CAUTION LABEL            |     | 1   |     |        |        |      |
| 002   | 266326-2  | TAPPING SCREW 4X18       |     | 4   |     |        |        |      |
| 003   | 422368-8  | SEAL RING E              |     | 1   |     |        |        |      |
| 004   | 855A83-9  | DVC750L SERIAL NO. LABEL |     | 1   |     |        |        |      |
| 005   | 183K69-6  | TERMINAL CASE SET        |     | 1   |     |        |        |      |
| D10   |           | INC. 7                   |     |     |     |        |        |      |
| 006   | 644809-6  | TERMINAL                 |     | 1   |     |        |        |      |
| 007   | 183K69-6  | TERMINAL CASE SET        |     | 1   |     |        |        |      |
| D10   |           | INC. 5                   |     |     |     |        |        |      |
| 008   | 266326-2  | TAPPING SCREW 4X18       |     | 2   |     |        |        |      |
| 009   | 140G02-7  | TOP COVER COMPLETE       |     | 1   |     |        |        |      |
| 010   | 458886-0  | HANDLE                   |     | 1   |     |        |        |      |
| 011   | 266326-2  | TAPPING SCREW 4X18       |     | 2   |     |        |        |      |
| 012   | 451343-7  | SWITCH HOLDER            |     | 1   |     |        |        |      |
| 013   | 651382-9  | SWITCH 1703.4702         |     | 1   |     |        |        |      |
| 014   | 961062-2  | STOP RING E-12           |     | 1   |     |        |        |      |
| 015   | 213176-6  | O RING 14                |     | 1   |     |        |        |      |
| 016   | 140G01-9  | SWITCH BASE COMPLETE     |     | 1   |     |        |        |      |
| C10   | 818F81-4  | INDICATION LABEL         |     | 1   |     |        |        |      |
| 017   | 457857-4  | SWITCH LEVER             |     | 1   |     |        |        |      |
| 018   | 686023-8  | RECEPTACLE SLEEVE        |     | 6   |     |        |        |      |
| 019   | 620A05-6  | INDICATOR CIRCUIT        |     | 1   |     |        |        |      |
| 020   | 620A06-4  | CONTROLLER               |     | 1   |     |        |        |      |
| 021   | 266490-9  | TAPPING SCREW PT 2X6     |     | 3   |     |        |        |      |
| 022   | 652069-6  | FLAT HEAD SCREW M3X6     |     | 3   |     |        |        |      |
| 023   | 629385-1  | STATOR                   |     | 1   |     |        |        |      |
| 024   | 619540-3  | ROTOR                    |     | 1   |     |        |        |      |
| 025   | 266326-2  | TAPPING SCREW 4X18       |     | 4   |     |        |        |      |
| 026   | 183K70-1  | MOTOR HOUSING SET        |     | 1   |     |        |        |      |
| D10   |           | INC. 27                  |     |     |     |        |        |      |
| 027   | 183K70-1  | MOTOR HOUSING SET        |     | 1   |     |        |        |      |
| D10   |           | INC. 26                  |     |     |     |        |        |      |
| 028   | 313062-2  | FLANGE                   |     | 1   |     |        |        |      |
| 029   | 266326-2  | TAPPING SCREW 4X18       |     | 6   |     |        |        |      |
| 030   | 458973-5  | FAN COVER GUARD          |     | 1   |     |        |        |      |
| 031   | 458883-6  | FAN COVER                |     | 1   |     |        |        |      |
| 032   | 266326-2  | TAPPING SCREW 4X18       |     | 3   |     |        |        |      |
| 033   | 240178-9  | FAN 104                  |     | 1   |     |        |        |      |
| 034   | 253752-4  | FLAT WASHER 8            |     | 1   |     |        |        |      |
| 035   | 931303-0  | HEX. NUT M6              |     | 1   |     |        |        |      |
| 036   | 422366-2  | SEAL RING C              |     | 1   |     |        |        |      |
| 037   | 458881-0  | TANK COVER               |     | 1   | *   |        |        |      |
| 037-1 | 162641-1  | TANK COVER COMPLETE      | <   | 1   |     |        |        |      |
| C10   | 422450-3  | SPONGE SHEET             |     | 1   |     |        |        |      |
| 038   | 266326-2  | TAPPING SCREW 4X18       |     | 6   |     |        |        |      |
| 039   | 140G00-1  | FLOAT COMPLETE           |     | 1   |     |        |        |      |
| 040   | 422364-6  | SEAL RING A              |     | 1   |     |        |        |      |

