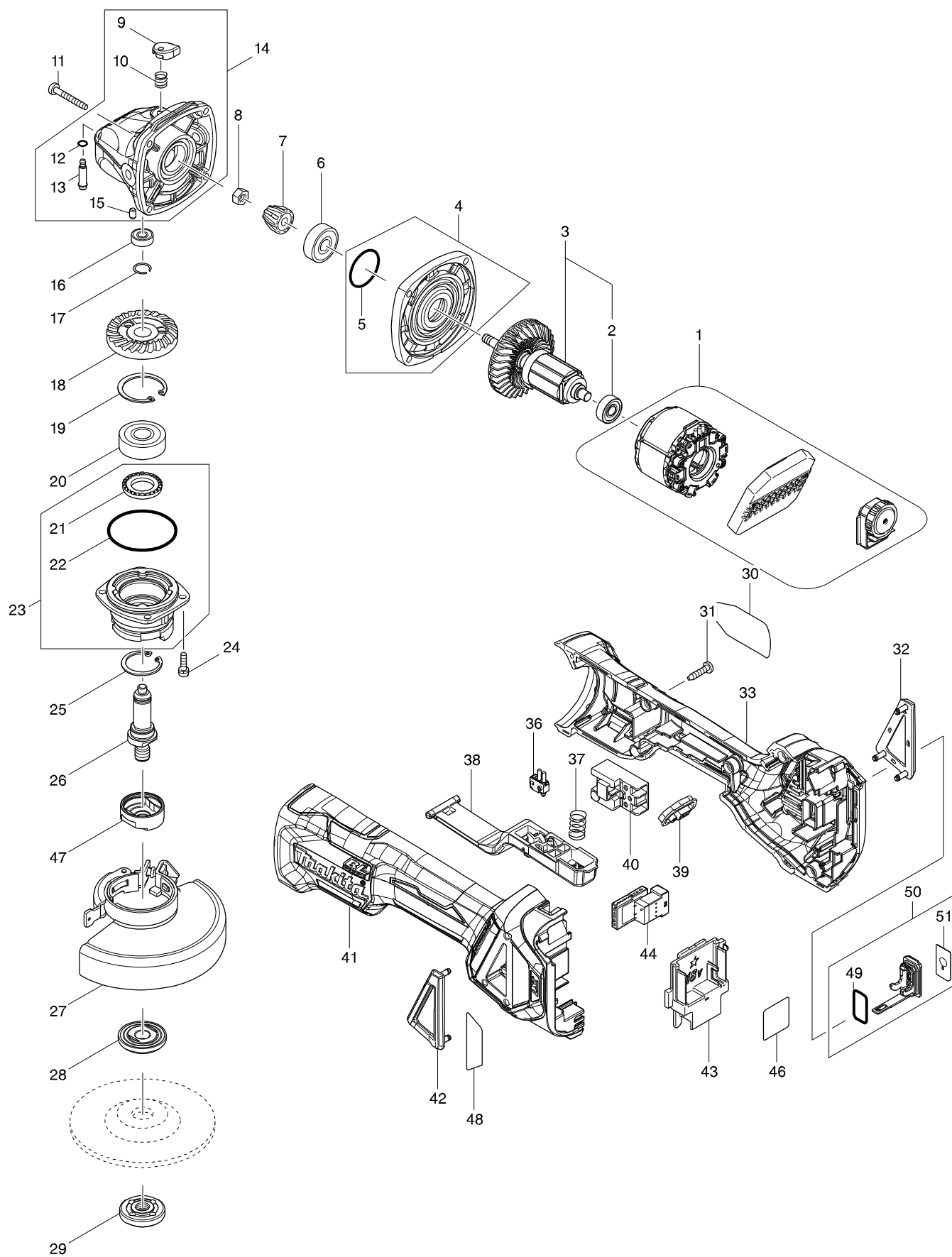


Model No. DGA418 100MM CORDLESS ANGLE GRINDER



Item	Parts No.	Description	I/C	Qty	N/O	Opt. 1	Opt. 2	Note
001	629305-5	STATOR COMPLETE		1				
002	210169-4	BALL BEARING 607LLB		1				
003	510329-1	ROTOR ASS'Y		1				
D10		INC. 2						
004	135930-7	GEAR HOUSING COVER ASSEMBLY		1				
D10		INC. 5						
005	213445-5	O-RING 26		1				
006	210042-8	BALL BEARING 629LLB		1				
007	227541-3	SPIRAL BEVEL GEAR 10		1	*			
007-1	226861-2	SPIRAL BEVEL GEAR 10	S	1				
008	252186-8	HEX. NUT M6		1				
009	417771-6	PIN CAP		1				
010	233072-2	COMPRESSION SPRING 8		1				
011	266361-0	TAPPING SCREW 4X30		4				
012	213960-9	O RING 5		1				
013	256546-6	SHOULDER PIN 4		1				
014	135929-2	GEAR HOUSING ASSEMBLY		1				
D10		INC. 9,10,12,13,15						
015	263002-9	RUBBER PIN 4		1				
016	210033-9	BALL BEARING 696ZZ		1				
017	233950-6	RING SPRING 11		1				
018	227641-9	SPIRAL BEVEL GEAR 37		1	*			
018-1	226862-0	SPIRAL BEVEL GEAR 37	S	1				
019	962151-6	RETAINING RING R-32		1				
020	211129-9	BALL BEARING 6201DDW		1				
021	262153-5	FELT RING 16		1				
022	213622-9	O RING 45		1				
023	135949-6	BEARING BOX ASSEMBLY		1				
D10		INC. 21,22						
024	911121-2	PAN HEAD SCREW M4X14		4				
025	962105-3	RETAINING RING R-26		1				
026	326669-5	SPINDLE		1				
027	122893-6	TOOLLESS WHEEL COVER 100K ASS'Y		1				
C10	213009-5	O RING 4		1				
C20	265180-1	PAN HEAD SCREW M5X16		1				
028	224483-2	INNER FLANGE 30		1				
029	224559-5	LOCK NUT 10-30		1				
030	853Y51-0	DGA418 NAME PLATE		1				
031	266326-2	TAPPING SCREW 4X18		5				
032	455450-8	DUST COVER R		1				
033	183H85-0	MOTOR HOUSING SET		1				
C10	263005-3	RUBBER PIN 6		2				
D10		INC. 41						
036	632E12-1	SWITCH UNIT		1				
037	234357-9	COMPRESSION SPRING 11		1				
038	142976-6	SWITCH LEVER COMPLETE		1				
039	142901-7	INDICATOR PANEL COMPLETE		1				
040	650734-1	SWITCH TG73BDS-2		1				

Item	Parts No.	Description	I/C	Qty	N/O	Opt. 1	Opt. 2	Note
041	183H85-0	MOTOR HOUSING SET		1				
C10	263005-3	RUBBER PIN 6		2				
D10		INC. 33						
042	455449-3	DUST COVER L		1				
043	643874-2	TERMINAL		1				
044	620752-3	SUB CONTROLLER		1				
046	853Y54-4	DGA418 SERIAL NO. LABEL		1				
047	310516-0	LEAD FLANGE B		1				
048	816D93-9	INDICATION LABEL		1				
049Y	213218-6	O RING 16		1				
049Z	213275-4	O RING 18		1	*			
049-1Z	213218-6	O RING 16	<	1				
050Y	183J85-2	CAP SET		1	*			
050Z	183H92-3	CAP SET		1	*			
D10		INC. 49,51			*			
050-1Y	140G30-2	CAP COMPLETE	<	1				
050-1Z	183J85-2	CAP SET	O	1	*			
D10		INC. 49,51			*			
050-2Z	140G30-2	CAP COMPLETE	<	1				
D10		INC. 49,51						
051	813T75-8	CAP LABEL		1	*			
051-1	818H48-4	CAP LABEL	<	1				
A01	A-80852	GRINDING WHEEL 100X6X16		1				
A02	158237-4	GRIP 36 COMPLETE		1				
A03	782420-7	LOCK NUT WRENCH 20		1				
A04Z	198906-5	WIRELESS UNIT SET		1	*			
A04-1Z	199393-1	WIRELESS UNIT SET		1				