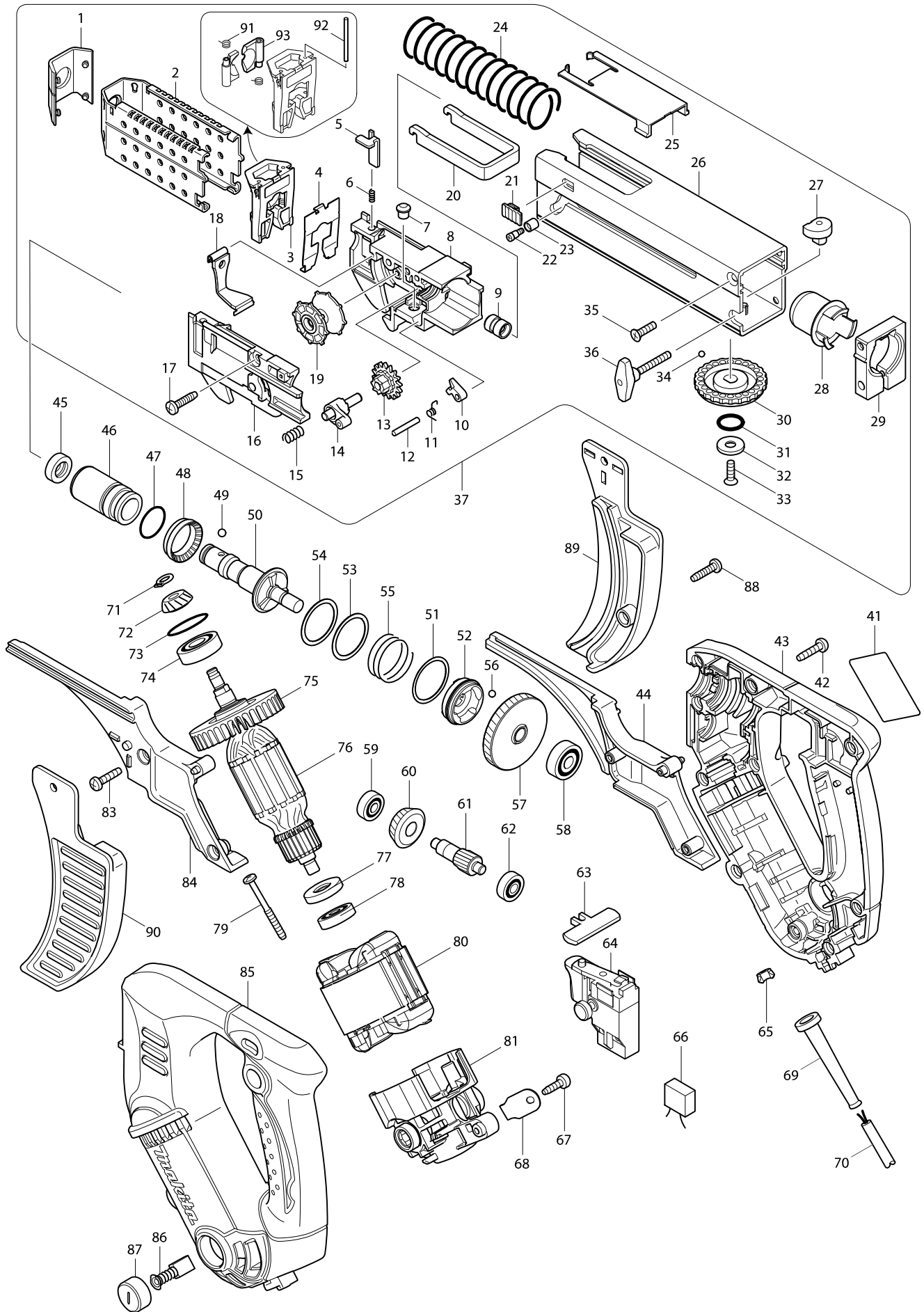


Model No. 6844 AUTO FEED SCREWDRIVER



Model No. 6844 AUTO FEED SCREWDRIVER

Item	Parts No.	Description	I/C	Qty	N/O	Sales	Purch.	Note
001	424043-2	CAP		1				
002	345841-0	STOPPER BASE 75		1				
003-2	140493-0	GUIDE BOX COMPLETE		1				
D10		INC. 4,91,92,93						
004-1	346269-5	GUARD		1				
005	345837-1	LEVER		2				
006	233211-4	COMPRESSION SPRING 2		2				
007	256451-7	PIN 6		1				
008	450107-6	FEEDER BOX		1				
009	257685-5	SLEEVE 5		1				
010	310062-3	STOPPER		1				
011	231636-6	TORSION SPRING 4		1				
012	256158-5	PIN 3		1				
013	226344-2	SPUR GEAR 16		1				
014	158374-4	RATCHET ARM COMPLETE		1				
015	233212-2	COMPRESSION SPRING 6		1				
016	158378-6	BOXCOVER COMPLETE		1				
017	265995-6	TAPPING SCREW 4X18		1				
018	162201-9	DUST COVER		1				
019	416518-5	WHEEL		1				
020	345838-9	PLATE		1				
021	450111-5	STOPPER		2				
022	265177-0	+SHOULDER FLAT HEAD SCREW M3X		1				
023	257764-9	SLEEVE 4		1				
024	234032-7	COMPRESSION SPRING 23		1				
025	450114-9	CASING COVER		1				
026	158379-4	CASING 75 COMPLETE		1				
C10	816886-0	INDICATION LABEL		1				
027	310237-4	SHIFTER PIN		1				
028	450110-7	INSULATION SLEEVE		1				
029	318181-9	CLAMPER		1				
030	417056-0	DIAL 42		1				
031	213107-5	O RING 12		1				
032	267201-5	FLAT WASHER 6		1				
033	912117-6	COUNTERSUNK HEAD SCREW M4X12		1				
034	216001-0	STEEL BALL 3.5		1				
035	912117-6	COUNTERSUNK HEAD SCREW M4X12		3				
036-1	265779-2	THUMB SCREW M4X28		1				
037-3	195183-0	CASING 75 SET		1				
D10		INC. 1-36						
041	863777-6	6844 NAME PLATE		1				
042	266045-0	TAPPING SCREW 4X20		10				
043	188305-9	HOUSING SET		1				
D10		INC. 85						
044	188304-1	SCREW GUIDE SET		1				
D10		INC. 84						
045	421467-3	DUST COVER		1				
046	214172-7	PLANE BEARING 14		1				

Model No. 6844 AUTO FEED SCREWDRIVER

Item	Parts No.	Description	I/C	Qty	N/O	Sales	Purch.	Note
047	213262-3	O RING 18		1				
048	421927-5	SLEEVE 20		1				
049	216001-0	STEEL BALL 3.5		1				
050	324807-3	SPINDLE A		1				
051	267332-0	FLAT WASHER 26		1				
052	223169-5	CLUTCH CAM C		1				
053	267331-2	FLAT WASHER 25		1				
054	267331-2	FLAT WASHER 25		1				
055	234017-3	COMPRESSEION SPRING 25		1				
056	216008-6	STEEL BALL 4		3				
057	226657-1	HELICAL GEAR 60		1				
058-1	211034-0	BALL BEARING 608		1				
059-1	211014-6	BALL BEARING 606		1				
060	227528-5	SPIRAL BEVEL GEAR 22		1				
061	226667-8	HELICAL GEAR 9		1				
062-1	211014-6	BALL BEARING 606		1				
063	419304-3	F/R CHANGE LEVER		1				
064	650590-9	SWITCH SGEL206CR-1		1				
065	252045-6	SQUARE NUT M5		1				
067	266192-7	TAPPING SCREW 4X14		1				
068	687169-3	STRAIN RELIEF		1				
069	682559-5	CORD GUARD 8		1				
070	692021-2	POWER SUPPLY CORD 1.0-2-2.5		1				
071	961002-0	RETAINING RING S-6		1				
072	227527-7	SPIRAL BEVEL GEAR 15		1				
073	213380-7	O RING 24		1				
074	211061-7	BALL BEARING 6000LLB		1				
075	241869-5	FAN 55		1				
076	515713-5	ARMATURE ASS'Y 220-240V		1				
D10		INC. 74,75,77,78						
077	681652-2	INSULATION WASHER		1				
078	211021-9	BALL BEARING 607LLB		1				
079	266069-6	TAPPING SCREW 4X45		2				
080	633653-6	FIELD 220-240V		1				
081	158380-9	ENDBELL COMPLETE		1				
083	265995-6	TAPPING SCREW 4X18		2				
084	188304-1	SCREW GUIDE SET		1				
D10		INC. 44						
085	188305-9	HOUSING SET		1				
D10		INC. 43						
086	191940-4	CARBON BRUSH CB-411		1				
087	643928-5	BRUSH HOLDER CAP		2				
088-1	265995-6	TAPPING SCREW 4X18		2				
089-1	188310-6	GUIDE ATTACHMENT SET		1				
D10		INC. 90						
090-1	188310-6	GUIDE ATTACHMENT SET		1				
D10		INC. 89						
091-1	233567-5	TORSION SPRING 4		2				

