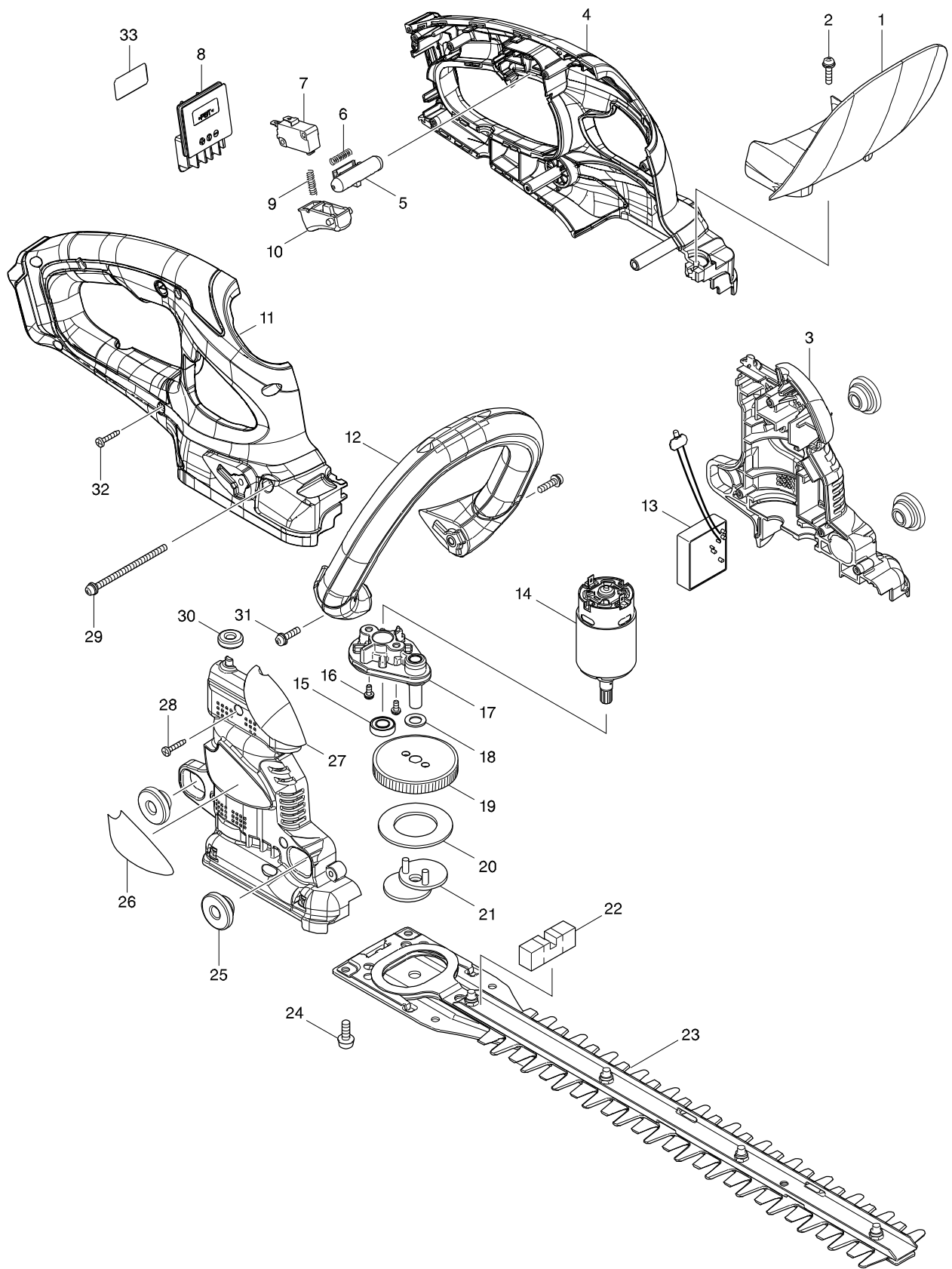


型號 UH353D 350MM CORDLESS HEDGE TRIMMER



分解圖號	零件編號	品名	交換	數量	N/O	選擇1	選擇2	註記
001	458908-6	PROTECTOR		1				
002	911128-8	P.H.SCREW M4X16 WITH WR		1				
003	183C71-1	MOTOR HOUSING SET		1				
D10		INC. 27						
004	183K65-4	HANDLE SET		1				
C10	252126-6	HEX. LOCKING NUT M4-7		2				
C20	931102-0	HEX. NUT M4		2				
C30	263002-9	RUBBER PIN 4		2				
D10		INC. 11						
005	458900-2	LOCK OFF BUTTON		1				
006	231473-8	COMPRESSION SPRING 4		1				
007	650744-8	SWITCH D3V-16-3C26		1				
008	644813-5	TERMINAL		1				
009	231473-8	COMPRESSION SPRING 4		1				
010	417564-1	SWITCH LEVER		1				
011	183K65-4	HANDLE SET		1				
C10	252126-6	HEX. LOCKING NUT M4-7		2				
C20	931102-0	HEX. NUT M4		2				
C30	263002-9	RUBBER PIN 4		2				
D10		INC. 4						
012	455329-3	GRIP 25		1				
013	620952-5	CONTROLLER		1				
C10	654069-2	RECEPTACLE		2				
C20	654079-9	INSULATED RECEPTACLE DF1.25		1				
C30	654208-4	RECEPTACLE		1				
C40	654281-4	RECEPTACLE		1				
014	629380-1	DC MOTOR		1				
015	210124-6	BALL BEARING 688ZZ		1				
016	911008-8	PAN HEAD SCREW M3X8		2				
017	140838-2	MOTOR HOLDER COMPLETE		1				
018	253215-0	FLAT WASHER 8		1				
019	143526-0	GEAR COMPLETE		1				
020	267404-1	FLAT WASHER 28		1				
021	165734-3	CRANK		1				
022	423342-9	SPONGE SEAL		1				
023	196879-6	SHEAR BLADE ASSEMBLY SET		1				
C10	252180-0	HEX. LOCK NUT M5-8		4				
C20	257672-4	SLEEVE 5		4				
C30	265193-2	+ TRUSS HEAD SCREW M5X14		4				
024	265074-0	PAN HEAD SCREW M5X16		4				
025	424194-1	RUBBER RING 8		4				
026	818H05-2	UH353D NAME PLATE		1				
027	183C71-1	MOTOR HOUSING SET		1				
D10		INC. 3						
028	266429-2	TAPPING SCREW 3X16		4				
029	911193-7	PAN HEAD SCREW M4X65		1				
030	424195-9	RUBBER RING 6		1				
031	911128-8	P.H.SCREW M4X16 WITH WR		2				

