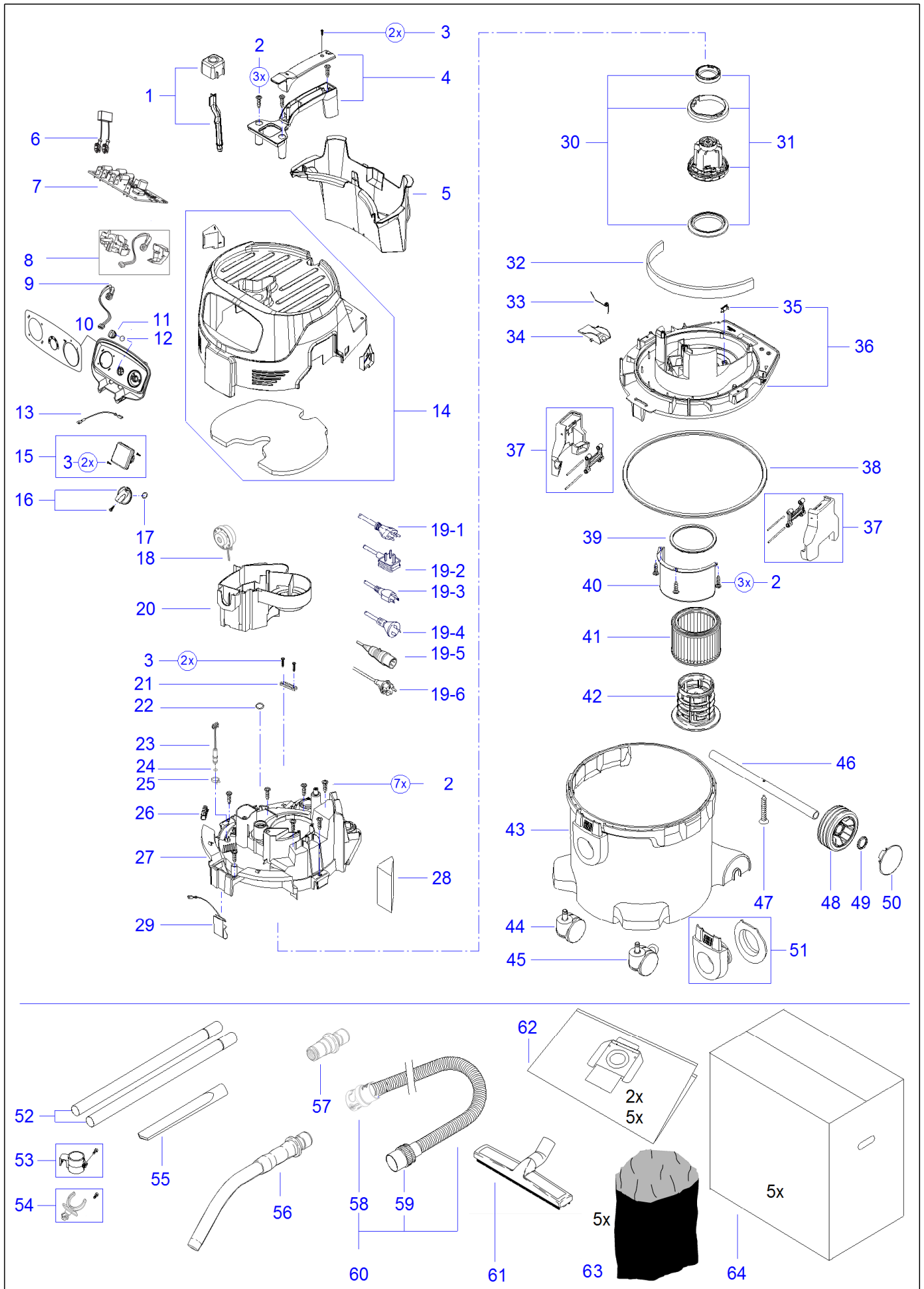


Makita VC3012M Spareparts



Makita VC3012M Spareparts

Part No.	Makita SP-No.	Description
1	W107417282	Dedusting knob (blue) with rod (kit)
2	W302004029	Screw 5x18 TX20
3	W302004032	Screw 3,5x18 TX10
4	W302004019	Handle (kit)
5	W302004026	Toolbox
6	W107404542	Capacitor 0,1 µF
7	W107418425	Makita Electronics VC3120M 230V
7	W107418424	Makita Electronics VC3120M 110V
8	W107413449	Switch kit with potentiometer and cover
9	W302000429	ELECTRONIC POTENTIOMETER
10	W107418011	Switchcase VC3012M
11	W107400575	TURNING KNOB FOR POTI - BLACK
12	W107400576	O-RING 21X1.5
13	W107400264	wire 1²x150 gr/ye
14	W107417284	Cover Makita VC3012 L/M (kit)
15	W302004034	Socket *EU* - CEE7/4
15	W107400059	Socket *CH* - SEV-1011
15	W302004336	Socket *GB* - BS-1363
15	W302004338	Socket *US,CA,MX* - NEMA
15	W302004339	Socket *AU* - AS-3112
16	W909100222	switch knob Makita blue
17	W9868	O-Ring ø10x2.5 NBR 70
18	W107416958	BUZZER KIT1
19-1	W107400267	Power cord *CH* - SEV-1011
19-2	W302001416	Power cord *GB* - BS-1363
19-3	W302004332	Power cord *US* - NEMA
19-4	W302004333	Power cord *AU* - AS-3112
19-5	W302000692	Power cord *GB* - CEE 3 Pol-110V
19-6	W107400573	Power cord *EU* - CEE7/7
20	W302004015	Airflow channel
21	W302004030	Strap for cord
22	W302004061	O-Ring ø25x2 NBR 70
23	W107400489	Flow Sensor + O-Ring
24	W55416	O-RING 4.0x1.5 NBR70
25	W107400578	HOSE CLAMP D10
26	W302004031	Terminal strip 6-pol 16A
27	W302004009	Clamping plate Makita VC3012
28	W302004045	Sound absorber for air outlet
29	W302004023	Contact spring with wire
30	W302003385	Elastic suspension (kit)
31	W302003384	Turbine 1200W 220-240V (kit)
31	W107417417	Turbine 1200W 110-120V (kit)
32	W302004010	Sound absorber for base plate
33	W909100083	Leg spring for flap
34	W302000344	Flap for filter cleaning
35	W107401937	Plug for base plate
36	W302004007	base plate VC3012

Makita VC3012M Spareparts

Part No.	Makita SP-No.	Description
37	W107400301	Container clamp (kit-2x)
38	W107400056	GASKET FOR CONTAINER
39	W302000460	Sealing ring for filter
40	W302004016	Deflector plate
40	W302004016	Deflector plate
41	P-70219	Filter element
42	W107402646	Supporting basket with float (kit)
43	W107417285	Container Makita VC3012 L/M (kit)
44	W46298	Castor ø60
45	W302000557	Castor ø60 with brake
46	W302004022	Wheel axle
47	W107400063	Screw 5x35
48	W302000465	Wheel ø100
49	W47302	Clamping ring for wheel
50	W107417286	Wheel cap Makita blue
51	W107402742	Fitting with clamping plate (kit)
52	P-70437	Exten. tubes ø36x505 INOX (Set 2)
53	W302004027	Tube holder-hook (kit)
54	W302004018	Tube holder-snap (kit)
55	W6084	Crevice nozzle ø35x300
56	P-70346	Curved Hand Tube INOX
57	P-70378	Tool adaptor ø27 QUICKSYSTEM (Set)
58	W46947	Hose connector for Click system AS ø32mm
59	W30928	Hose sleeve ø32/50 AS
60	P-84084	Suction hose ø32mm x 4m black AS cpl.
61	P-81789	FLOOR NOZZLE D36x300 WET/DRY MAKITA
62	P-70219	Filterbag 446L (Set 5) Paper
62	P-84078	Fleece filter bag VC3012 (5 pcs)
63	P-70297	Disposal Bag 446L/VC 2010L
64	W107417273	VC3012L/M boxes (5 pcs)