



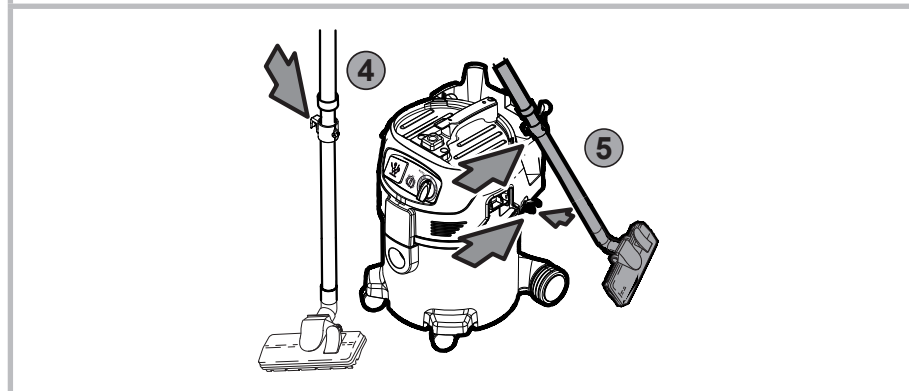
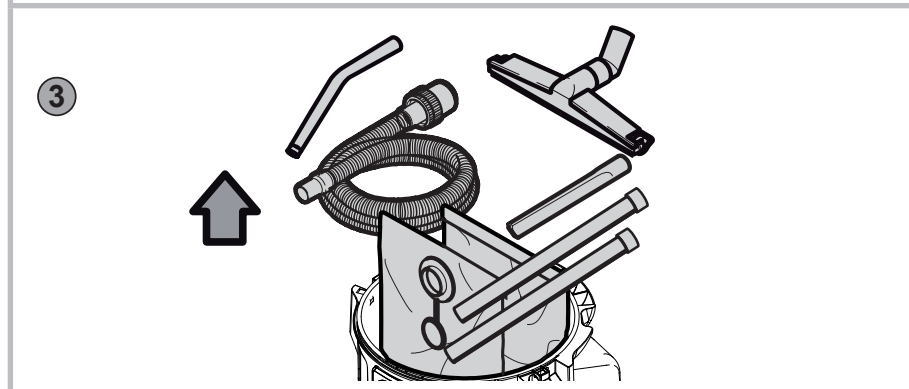
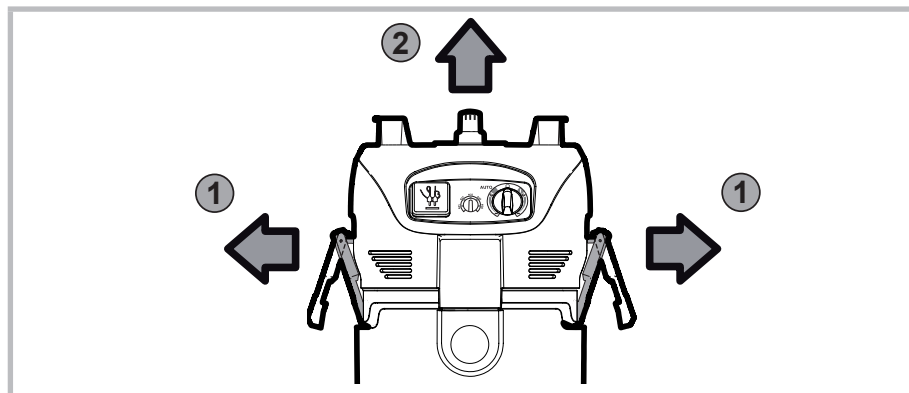
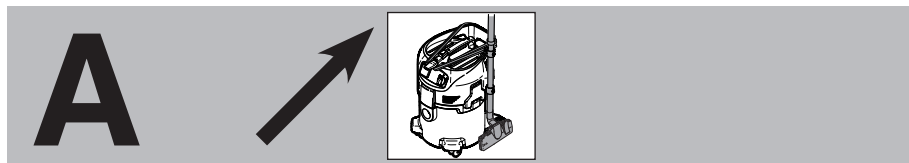
Makita[®]

VC3012M

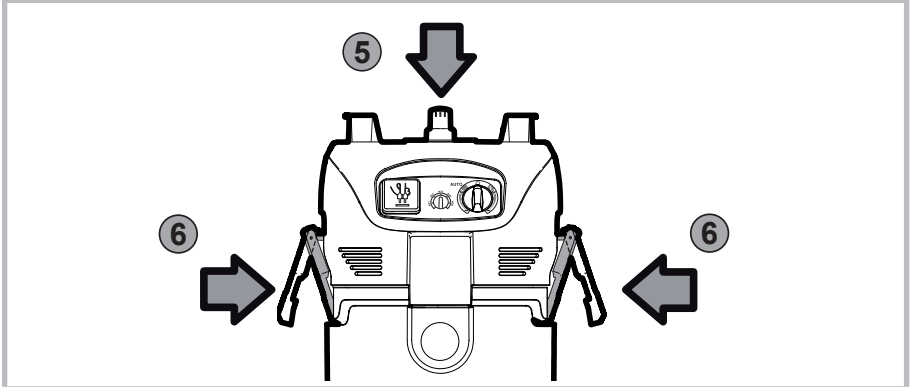
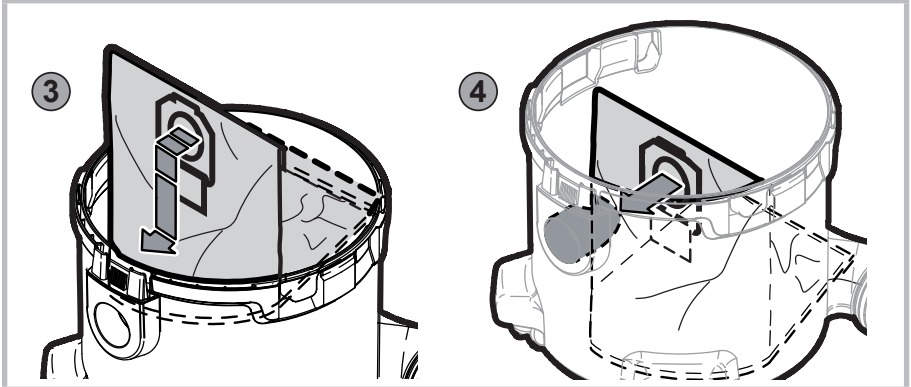
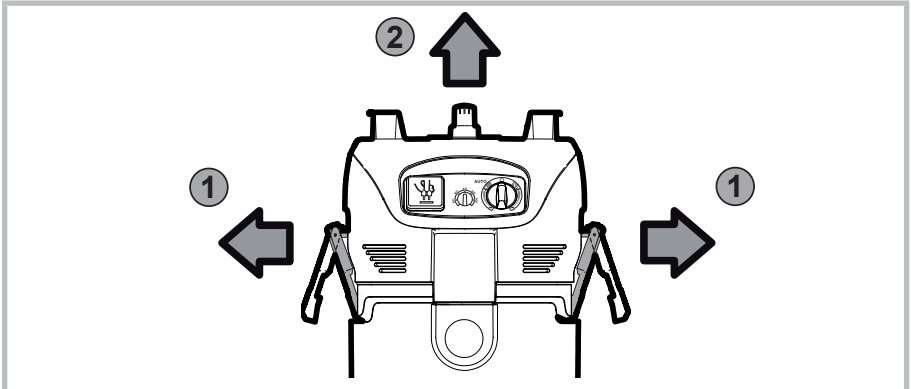
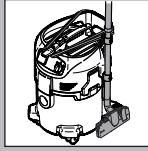


Originalbetriebsanleitung
Original Operating Instructions
Notice d'utilisation d'origine
Oorspronkelijke Gebruiksaanwijzing
Istruzioni originali
Original driftsinstruks
Bruksanvisning i original
Original brugsanvisning
Alkuperäiset ohjeet
Manual original
Instruções de operação original
Πρωτότυπο οδηγιών χρήσης
Original talimatlar
Izvirna navodila
Izvorni upute

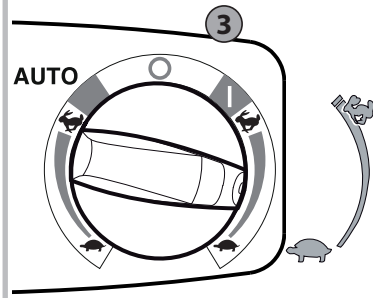
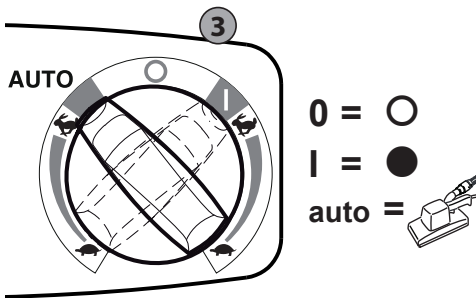
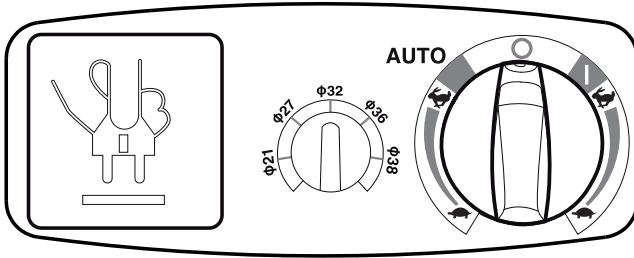
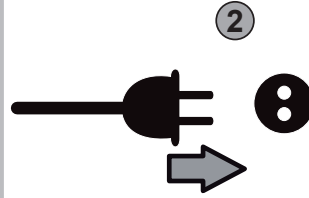
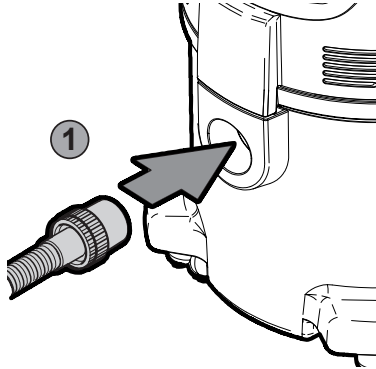
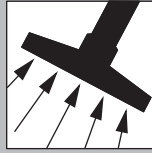
Pôvodný návod na použitie
Původní návod k používání
Instrukcja oryginalna
Eredeti használati utasítás
Original instruçiuni
Оригинална инструкция
Оригинальные инструкции
Algupärane kasutusjuhend
Instrukcijas oriģinālvalodā
Originali instrukcija
Udhëzimet origjinale
Оригинално упатство за употреба
Првобитна упутства
Оригинальні інструкції

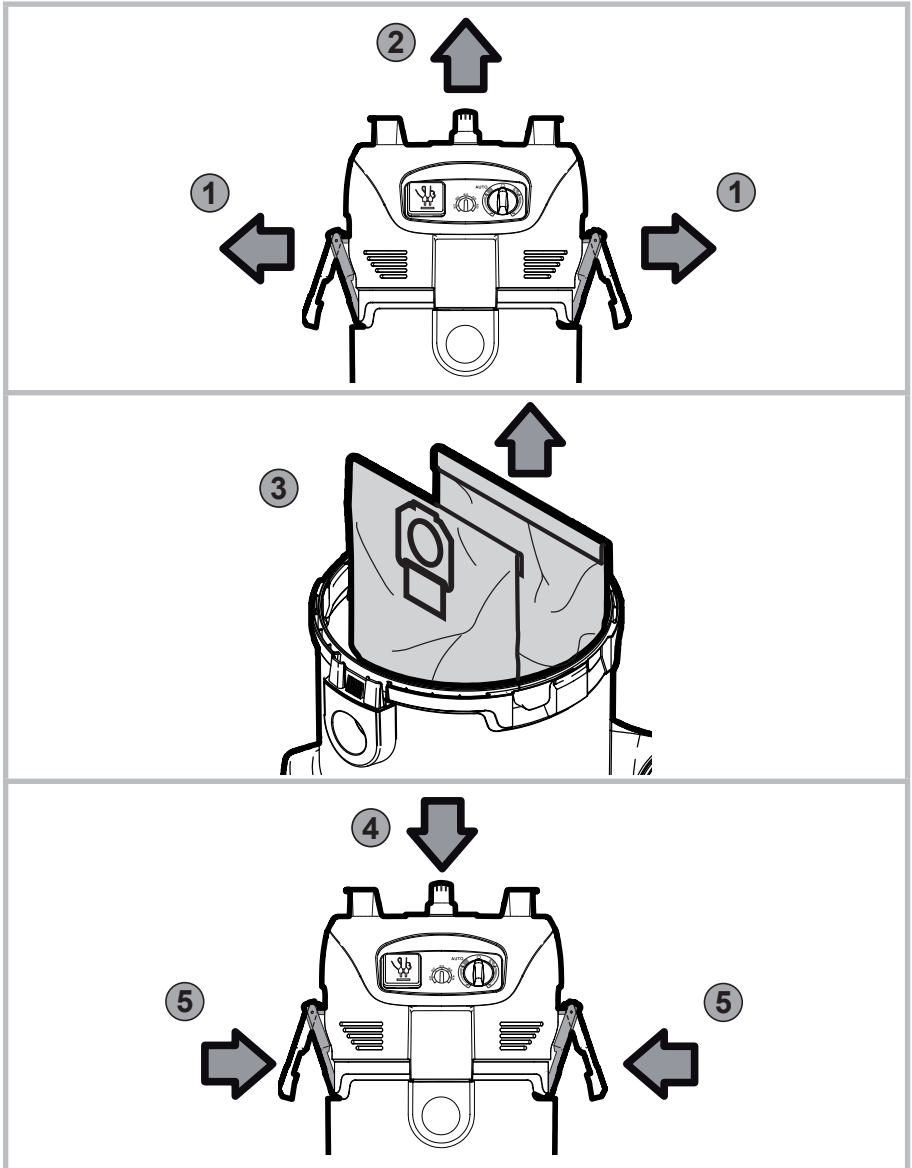


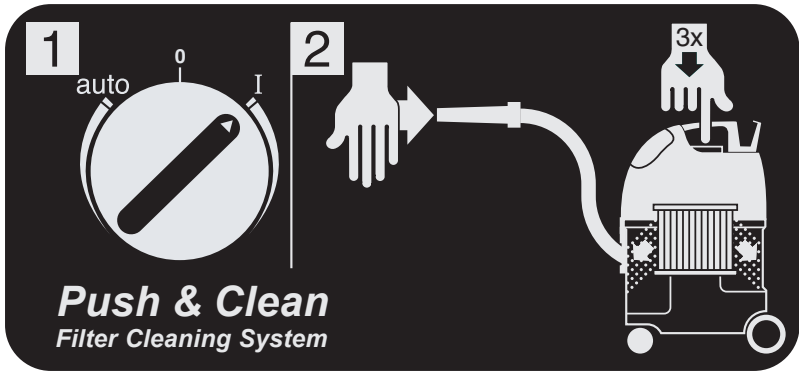
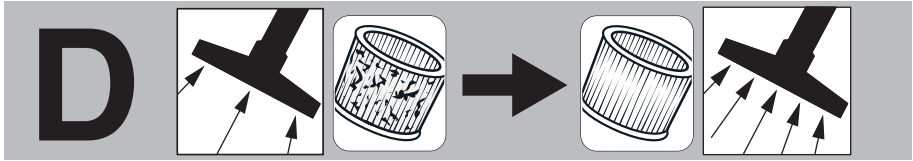
A



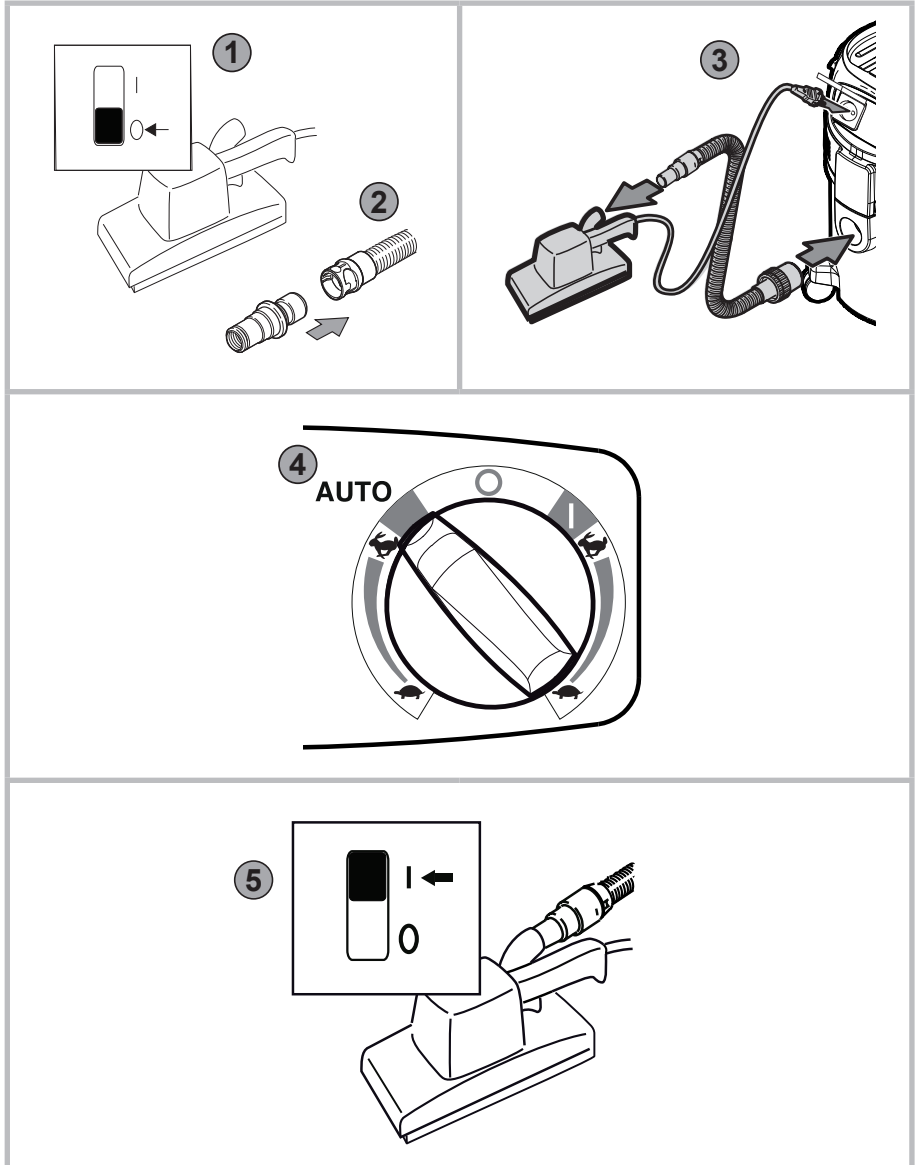
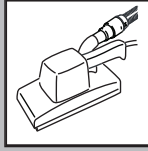
B



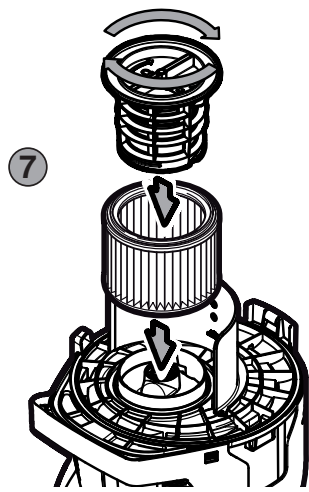
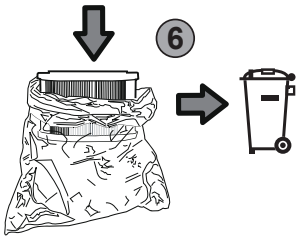
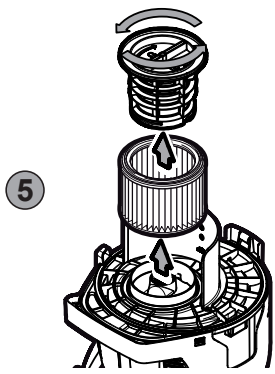
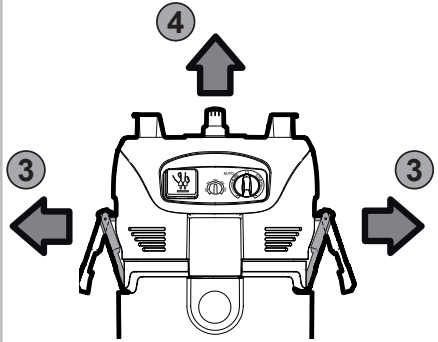
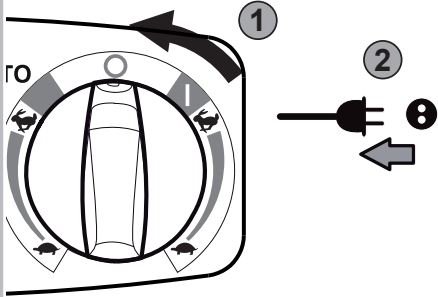
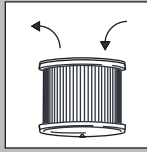
C



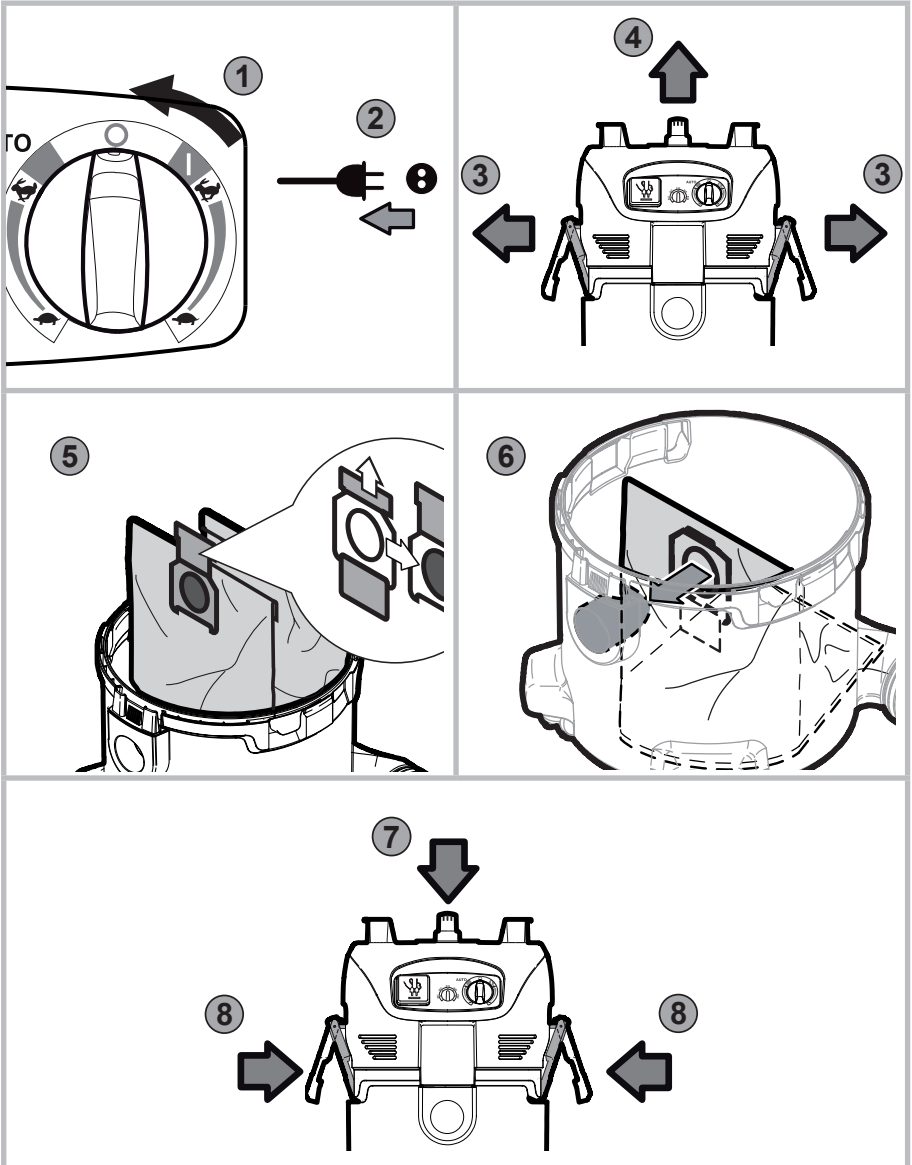
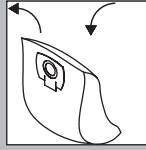
E



F



G



F
NL **Important safety instructions**

I
N Before using the appliance, always read the operating instructions and keep them readily available.

S
DK **Purpose and intended use**

SF
E Besides the operating instructions and the binding accident prevention regulations valid in the country of use, observe recognised regulations for safety and proper use.

P
GR **WARNING** – The appliance must

- only be used by persons, who have been instructed in its correct usage and explicitly commissioned with the task of operating it
- only be operated under supervision

TR
SLO This appliance is not intended for use by persons (including children) with reduced physical, sensory or mental capabilities, or lack of experience and knowledge.

HR
SK Children should be supervised to ensure that they do not play with the appliance.

CZ
PL The vacuum cleaners described in this operating manual are suitable for

- sucking up dust and liquids
- dust suction for handheld power tools
- commercial use, e.g. in hotels, schools, hospitals, factories, shops, offices and rental businesses
- separation of dust with an exposure limit (OEL) of greater than 0.1 mg/m³ (dust class M). Please observe regulations valid in your country.



H
RO **WARNING** – The following materials should not be picked up by the vacuum cleaner:

- hot materials (burning cigarettes, hot ash, etc.)
- flammable, explosive, aggressive liquids (e.g. petrol, solvents, acids, alkalis, etc.)
- flammable, explosive dust (e.g. magnesium dust, etc.)

BG
RUS **CAUTION** – The appliance must

- only be used indoors and not outdoors
- be protected against UV radiation

EST
LV **A Before start-up**

LT
AL Before starting work, the operating staff must be informed on

- use of the vacuum cleaner
- risks associated with the material to be picked up
- safe disposal of the picked up material

MK
SR When dust removers are used, the rate at which air is exchanged in the room must be adequate if the exhaust air from the vacuum cleaner is blown into the room (please observe regulations valid in your country).

UK Only use the appliance if it is in undamaged condition. Never use the vacuum cleaner without a filter, or if the filter is damaged.

Ensure that the voltage shown on the rating plate corresponds to the voltage of the local mains power supply. It is recommended that the vacuum cleaner should be connected via a residual current circuit breaker.

Inspect power cord regularly to detect signs of damage, e.g. cracks or ageing. If the power cord is damaged, it must be replaced by Makita-Service or an electrician to avoid danger before use of the vacuum cleaner is continued. Use only the type of power cord specified in the operating manual.


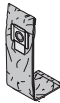

As an extension lead, only use the version specified by the manufacturer or one of a higher quality.

When using an extension lead, check the minimum cross-sections of the cable:

Cable length	Cross section	
	< 16 A	< 25 A
up to 20 m	1,5 mm ²	2,5 mm ²
20 to 50 m	2,5 mm ²	4,0 mm ²


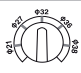
B Operation

Depending on how hazardous the dust is, the cleaner must be fitted with appropriate filters.

Type of dust	Filter bag/waste bag/filter element	
<ul style="list-style-type: none"> Dusts with OEL values > 0.1 mg/m³ (observe any additional national regulations) Wood dusts & concrete dusts 		Waste bag Order No. P-70297
<ul style="list-style-type: none"> Dusts with OEL values > 0.1 mg/m³ (observe any additional national regulations) Wood dusts & concrete dusts 		Filter bag Order No. 107418007
<ul style="list-style-type: none"> Dusts with OEL values > 0.1 mg/m³ (observe any additional national regulations) Wood dusts & concrete dusts 		Filter element "M" Order No. P-70219

Before picking up dust with occupational exposure limit values:

- Check that all the filters are present and properly fitted.
- The hose diameter and the setting for the suction hose diameter must be the same.

	
ø21	ø21
ø27	ø27
ø32	ø32
ø36	ø36
ø38	ø38

- When the motor is running, hold the suction hose shut. For safety reasons, an acoustic warning sounds if the air speed in the suction hose drops to below 20 m/s.

Switch position	Function
I	On
0	Off
AUTO	Auto-On/Off

C Picking up liquids

Before liquids are picked up, always remove the filter bag.

CAUTION – Check that the float works properly.

WARNING – If foam develops or liquid emerges, stop work immediately and empty the dirt tank.

D Cleaning the filter element

If suction performance drops:

- Switching on the vacuum cleaner.
- Close the nozzles or suction hose opening with the palm of your hand.

3. Press the button to start filter cleaning for at least three times for two seconds each. The resulting stream of air removes attached dust from the slats of the filter elements.
4. If the suction power is too low after filter cleaning: replace filter.

E Connecting electrical appliances

CAUTION! Follow the operating instructions and safety instructions for appliances connected to the power tool socket.

Use the socket on the vacuum cleaner for the purpose defined in the operating instructions only.

Before plugging an appliance into the appliance socket:

1. Switch off the vacuum cleaner.
2. Switch off the appliance to be connected.

F + **G** Maintenance, cleaning and repair

Only carry out maintenance work described in the operating instructions. Always pull out the mains plug before cleaning and maintenance of the vacuum cleaner. Never spray water on to the upper section of the vacuum cleaner: Danger for persons, risk of short-circuiting.

The use of non-genuine spare parts and accessories can impair the safety of the appliance. Only use spare parts and accessories from Makita.

During maintenance and cleaning, handle the vacuum cleaner in such a manner that there is no danger for maintenance staff or other persons.

In the maintenance area

- use filtered compulsory ventilation
- wear protective clothing
- clean the maintenance area so that no harmful substances get into the surroundings

Before removing the vacuum cleaner from the area contaminated with harmful substances:

- Clean the outside of the vacuum cleaner, wipe it clean or pack the vacuum cleaner in well sealed packaging
- and avoid spreading deposited harmful dust.

During maintenance and repair work all contaminated parts that could not be cleaned satisfactorily must be

- packed in well sealed bags
- disposed of in a manner that complies with valid regulations for such waste removal

A dust test must be performed at least once every year by Makita service or a trained person. This test includes, for example, whether there is damage to the filter, the vacuum cleaner is sealed to the air and the control equipment works properly.

Disposal of filter elements, filter bags and disposal bags

Discard filter elements, filter bags and disposal bags in accordance with the national regulations.

Transport

Before transporting the dirt tank, close all the locks. Do not tilt the cleaner if there is liquid in the dirt tank. Do not use a crane hook to lift the cleaner.

Storage

CAUTION – The appliance must be stored in a dry place and protected from frost.

Recycling the vacuum cleaner



As specified in European Directive 2012/19/EC on old electrical and electronic appliances, used electrical goods must be collected separately and recycled ecologically. Contact your local authorities or your nearest dealer for further information.

Guarantee

Our general conditions of business are applicable with regard to the guarantee. Subject to change as a result of technical alterations.

Spare parts and accessories

Description	Order no.
Filter element	P-70219
Fleece filter bag	107418007
Disposal bag	P-70297

Exploded drawings and parts lists are available on our homepage: www.makita.com

Troubleshooting

Fault	Cause	Remedy
‡ Motor does not start	<ul style="list-style-type: none"> > Fuse in mains plug has blown. > Overload protection switch has tripped. 	<ul style="list-style-type: none"> • Reset the fuse. • Switch off the vacuum cleaner and allow it to cool for approx. 5 minutes. If it can not be started again, contact the Makita service department.
‡ Motor does not run in automatic mode	<ul style="list-style-type: none"> > Power tool is defective or not connected properly. 	<ul style="list-style-type: none"> • Check that the power tool works or that the plug is inserted correctly.
‡ Reduced suction power	<ul style="list-style-type: none"> > Suction power selected with suction power control is to low. > Hose diameter does not correspond with switch position. > Clogged suction hose/nozzle. > Seal/tank rim between the upper section of the cleaner and the dirt tank is dirty/defective. > Filter bag is full. > Filter element is clogged. 	<ul style="list-style-type: none"> • Set suction power in accordance with section "Suction power control". • Set correct switch position for hose diameter. • Clean suction hose/nozzle. • Clean/replace seal. • See section "Replacing the filter bag". • See section "Cleaning the filter element" and "Replacing the filter element".
‡ No suction power during wet cleaning	<ul style="list-style-type: none"> > Tank is full (floater closes the suction opening). 	<ul style="list-style-type: none"> • Switch off the cleaner. Empty the tank.
‡ Voltage fluctuations	<ul style="list-style-type: none"> > Impedance of power supply is too high. 	<ul style="list-style-type: none"> • Use a suitable extension cord (see section "Technical data"). • Connect the cleaner to another socket closer to the fuse box. Voltage fluctuations over 7 % should not occur if the impedance at the transfer point is $\leq 0.15 \Omega$.

For European countries only:

EC Declaration of Conformity

Makita declares that the following Machine(s):

Designation of the Machine: Wet and dry vacuum cleaner

Model No./Type: VC3012M

Conforms to the following European Directives:

2006/42/EC, 2014/30/EU, 2011/65/EU

They are manufactured in accordance with the following Standard or standardized documents:

EN 60335-1: 2012 + A11:2014, EN 60335-2-69:2012

The Technical file in accordance with 2006/42/EC is available from:

Makita Europe N.V., Jan-Baptist Vinkstraat 2, 3070 Kortenberg, Belgium



06.06.2016

Yasushi Fukaya

Director

Makita Europe N.V., Jan-Baptist Vinkstraat 2, 3070 Kortenberg, Belgium

Technical data

Makita VC3012M						
		EU/FR/RU	AU	CH	GB 230 V	GB 110 V
Mains Voltage	V	220-240	230-240	220-240		110-120
Mains frequency	Hz	50/60				50
Power consumption	W	1200				1200
Connected load for appliance socket	W	2400	1200	1100	1750	
Total connected load	W	3600	2400	2300	2950	
Fuse	A	16	10		13	16
Volume flow (air)	l/min (m ³ /h)	3700 (222)				3500 (210)
Vacuum	mbar (hPa)	250 (250)				230 (230)
Sound pressure level at a distance of 1 m, ISO 3744	dB(A)	62 ±2				
Sound level	dB(A)	59 ±2				
Hand-arm vibration	m/s ²	<2,5				
Power cord length	m	7,5				
Power cord type		H07RN-F 3G1.5 mm ²	H05RN-F 3G1.0 mm ²		H07RN-F 3G1.5 mm ²	H07BQ-F 3G1.5 mm ²
Protection class		I				
Type of protection		IPX4				
Radio interference suppression level		EN 55014-1				
Dust class		M				
Tank volume	l (UKgal)	30 (6.6)				
Width	mm (in)	380 (15.2)				
Depth	mm (in)	485 (19.1)				
Height	mm (in)	595 (19.7)				
Weight (net, most common application)	kg (lb)	10 (22)				12 (26.4)