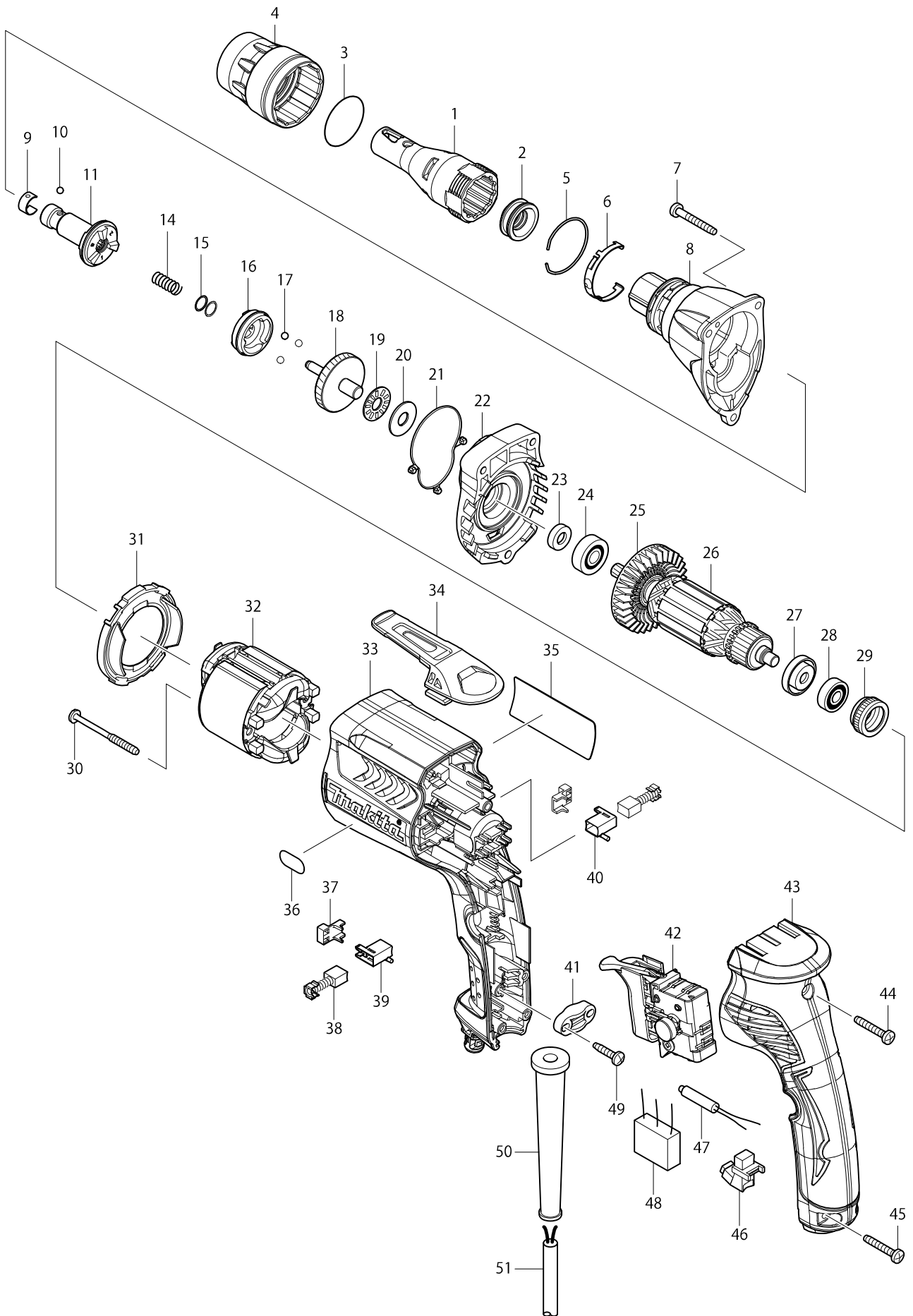


# Model No. FS4300 DRYWALL SCREWDRIVER



# Model No. FS4300 DRYWALL SCREWDRIVER

Item	Parts No.	Description	I/C	Qty	N/O	Sales	Purch.	Note
001	158876-0	LOCATOR L COMPLETE		1				
002	424163-2	DUST SEAL SLEEVE		1				
003	424235-3	SEAL RING 30		1				
004	450881-6	LOCK RING		1	*			
004-1	455591-0	LOCK RING	O	1				
005	233974-2	RING SPRING 33		1				
006	232245-4	LEAF SPRING		1				
007	266361-0	TAPPING SCREW 4X30		3				
008	158882-5	GEAR HOUSING HSB COMPLETE		1				
009	232050-9	LEAF SPRING		1				
010	216001-0	STEEL BALL 3.5		1				
011	158886-7	SPINDLE 125S COMPLETE		1				
014	234121-8	COMPRESSEION SPRING 8		1				
015	267202-3	FLAT WASHER 8		2				
016	223170-0	CLUTCH CAM 125S		1				
017	216008-6	STEEL BALL 4		3				
018	158884-1	GEAR 41S COMPLETE		1				
019	216415-3	THRUST NEEDLE GAUGE 821		1				
020	216212-7	WASHER 821		1				
021	424162-4	SEAL RING		1				
022	158874-4	GEAR HOUSING COVER COMPLETE		1				
023	451099-2	RING 7		1				
024	210007-0	BALL BEARING 608VV		1				
025	240083-0	FAN 52		1				
026	518807-5	ARMATURE ASSEMBLY 220V		1				
D10		INC. 23-25,27,28						
027	681636-0	INSULATION WASHER		1				
028	210062-2	BALL BEARING 607ZZ		1				
029	421868-5	LABYRINTH RUBBER RING 19		1				
030	266467-4	TAPPING SCREW 4X50		2				
031	450880-8	BAFFLE PLATE		1				
032	633693-4	FIELD 220-240V		1				
033	450877-7	MOTOR HOUSING S		1				
034	162272-6	HOOK		1				
035	866576-5	FS4300 NAME PLATE		1				
036	808575-1	4000RPM INDICATION LABEL		1				
037	689111-0	SPACER		2				
038	191962-4	CARBON BRUSH CB-419		1				
039	643948-9	BRUSH HOLDER		1				
040	643951-0	BRUSH HOLDER		1				
041	687123-7	STRAIN RELIEF		1				
042	650614-1	SWITCH		1				
043	158877-8	HANDLE COVER S COMPLETE		1				
C10	263002-9	RUBBER PIN 4		2				
044	266374-1	TAPPING SCREW 4X25		1				
045	266374-1	TAPPING SCREW 4X25		2				
046	631881-7	LIGHT CIRCUIT		1	*			
046-1	631939-2	LIGHT CIRCUIT	<	1				

