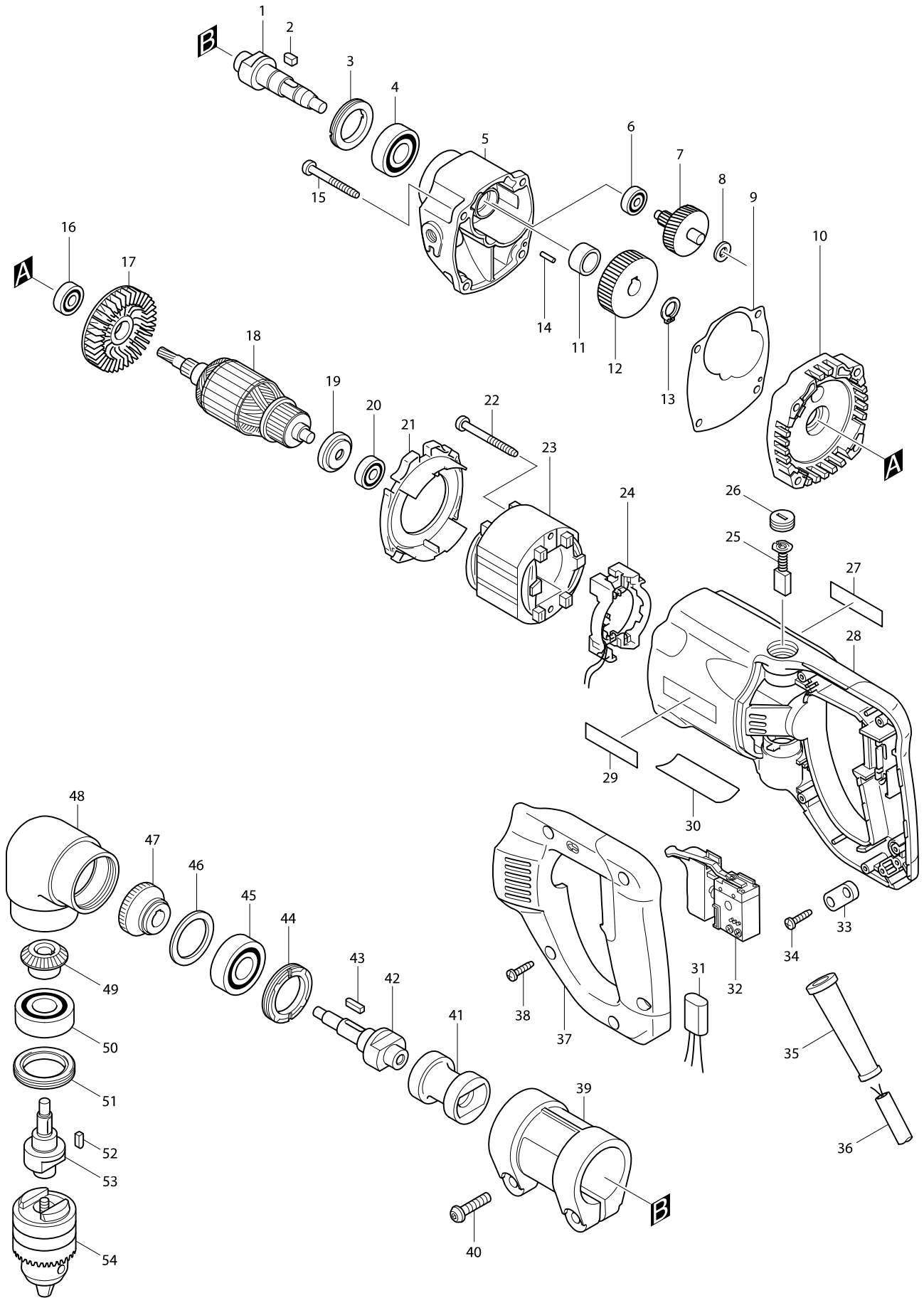


Model No. DA4000LR ANGLE DRILL 13MM



Model No. DA4000LR ANGLE DRILL 13MM

Item	Parts No.	Description	I/C	Qty	N/O	Sales	Purch.	Note
001	324171-2	SPINDLE		1				
002	254211-1	KEY 5		1				
003	285808-5	BEARING RETAINER 25-36		1				
004	211206-7	BALL BEARING 6202LLB		1				
005	317482-2	GEAR HOUSING		1				
006	211016-2	BALL BEARING 626LLB		1				
007	226144-0	GEAR COMPLETE 7-41		1				
008	253133-2	FLAT WASHER 7		1				
009	417650-8	GASKET		1				
010	152889-3	GEAR HOUSING COVER COMPLETE		1				
C10	212004-2	NEEDLE BEARING 810		1				
C20	212041-6	NEEDLE BEARING 709		1				
011	313105-0	SLEEVE 15		1				
012	226544-4	HELICAL GEAR 41		1				
013	961055-9	RETAINING RING S-15		1				
014	256157-7	PIN 3		1				
015	266056-5	TAPPING SCREW 5X45		4				
016	211031-6	BALL BEARING 608LLB		1				
017	241850-6	FAN 60		1				
018	516483-9	ARMATURE ASS'Y 220-240V		1				
D10		INC. 16,17,19,20						
019	681651-4	INSULATION WASHER		1				
020	211031-6	BALL BEARING 608LLB		1				
021	417649-3	BAFFLE PLATE		1				
022	266046-8	TAPPING SCREW 5X50		2				
023	634443-0	FIELD 220-240V		1				
024	638081-0	SUPPORT COMPLETE		1				
025	191963-2	CARBON BRUSH CB-303		1				
026	643750-0	BRUSH HOLDER CAP 7-11		2				
027	819063-3	MAKITA LABEL		1				
028	183395-7	MOTOR HOUSING		1				
C10	643708-9	BRUSH HOLDER 5-11		2				
D10		INC. 27,29						
029	819063-3	MAKITA LABEL		1				
030	853151-6	NAME PLATE DA4000LR		1				
032	650510-3	SWITCH TG813TLA-1		1				
033	687063-9	CORD CLAMP		1				
034	265995-6	TAPPING SCREW 4X18		2				
035-1	682572-3	CORD GUARD 8		1				
036	692021-2	POWER SUPPLY CORD 1.0-2-2.5		1				
037	417648-5	HANDLE COVER		1				
038	265995-6	TAPPING SCREW 4X18		5				
039	152932-8	JOINT COMPLETE		1				
040	266281-8	HEX.SOCKET BUTTON BOLT M8X35		2				
041	324154-2	SOCKET		1				
042	324170-4	GEAR SHAFT L		1				
043	254226-8	KEY 4		1				
044	285838-6	BEARING RETAINER 29-42		1				

