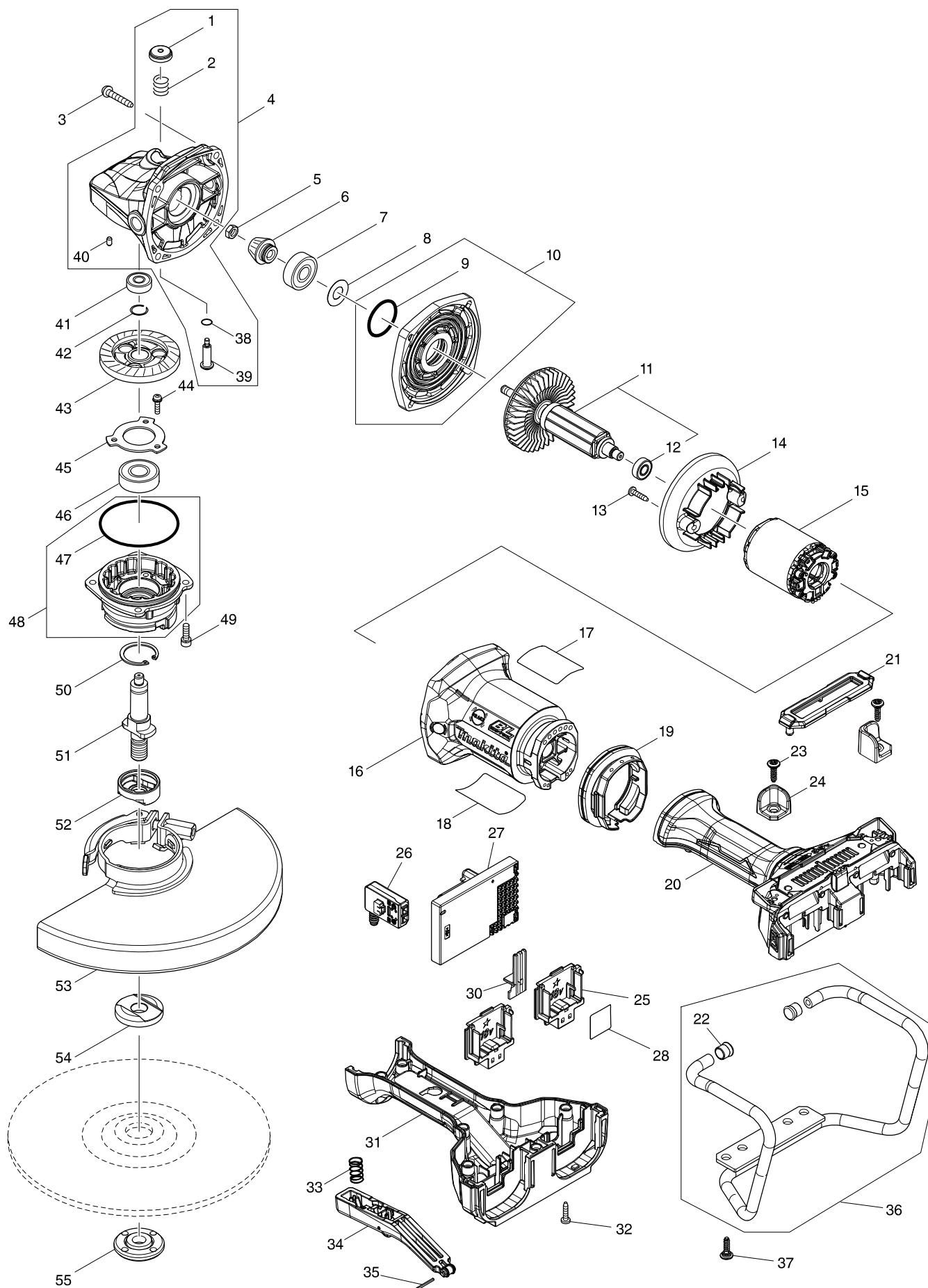


型號 DGA900 230MM CORDLESS ANGLE GRINDER



型號 DGA900 230MM CORDLESS ANGLE GRINDER

分解圖號	零件編號	品名	交換	數量	N/O	選擇1	選擇2	註記
001	451485-7	銷蓋 F/GA7050		1				
002	233089-5	彈簧12 C/233292-8 F/HR2410		1				
003	266173-1	自攻牙螺絲 5X30		4				
004	135918-7	GEAR HOUSING ASS'Y		1				
D10		INC. 1,2,38-40						
005	264010-3	六角螺母M7		1				
006	227563-3	傘型齒輪10B F/GA9050		1				
007	211137-0	軸承		1				
008	253759-0	平板墊片12		1				
009	213459-4	O 形環 32		1				
010	135916-1	GEAR HOUSING COVER ASS'Y		1				
D10		INC. 9						
011	519436-7	ROTOR ASS'Y		1				
D10		INC. 12						
012	211166-3	BALL BEARING 698DDW		1				
013	266326-2	螺絲 M4X18		2				
014	457618-2	BAFFLE PLATE		1				
015	629260-1	STATOR		1				
016	457615-8	MOTOR HOUSING		1				
018	853J89-5	DGA900 NAME PLATE		1				
019	457619-0	VIBRATION PROOF RUBBER		1				
020	135920-0	HANDLE SWITCH LEVER ASS'Y		1				
C10	263005-3	橡皮銷 6		4				
D10		INC. 31,33-35						
021	457620-5	DUST COVER		1				
022	422230-7	CAP		2				
023	251587-7	H.L.TAPPING SCREW 5X18		2				
024	327048-0	PROTECTION BLOCK		2				
025	644809-6	TERMINAL		2				
026	651083-9	SWITCH C3XA-1PSPM		1				
027	135935-7	CONTROLLER ASSEMBLY		1				
028	853J94-2	DGA900 SERIAL NO. LABEL		1				
030	457621-3	LENS		1				
031	135920-0	HANDLE SWITCH LEVER ASS'Y		1				
C10	263005-3	橡皮銷 6		4				
D10		INC. 20						
032	265999-8	螺絲 4X25		7				
033	234357-9	COMPRESSION SPRING 11		1				
034	144584-9	SWITCH LEVER COMPLETE		1				
035	951019-1	SPRING PIN 2-20		1				
036	135919-5	GUARD PIPE ASS'Y		1				
D10		INC. 22						
037	251587-7	H.L.TAPPING SCREW 5X18		4				
038	213026-5	O 形環 7		1				
039	256516-5	肩銷11 F/GA7050		1				
040	263002-9	橡皮銷 4		1				
041	210029-0	軸承 608ZZ		1				
042	233925-5	彈簧圈13		1				

