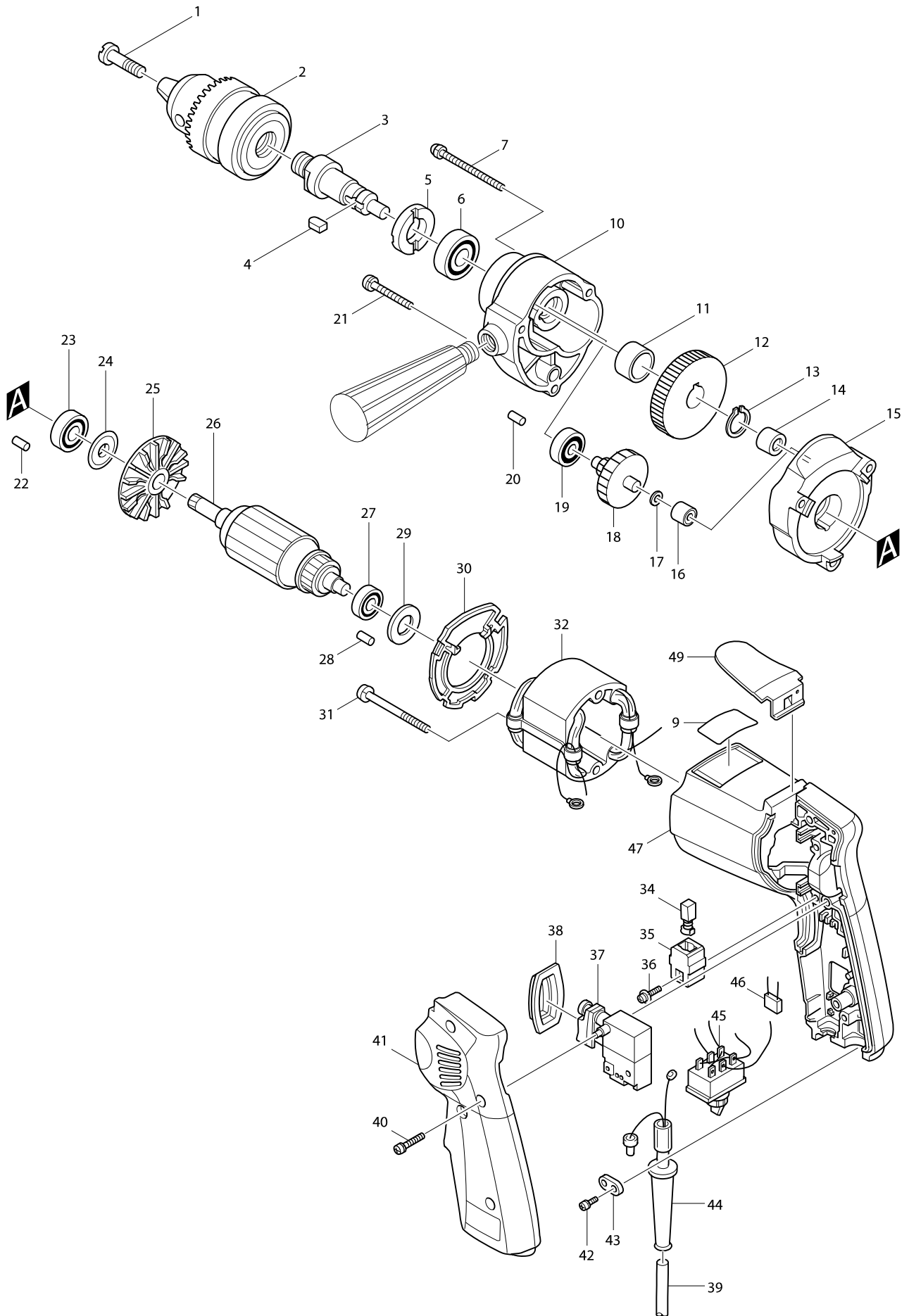


Model No. DP4700 DRILL 13MM



Model No. DP4700 DRILL 13MM

Item	Parts No.	Description	I/C	Qty	N/O	Sales	Purch.	Note
001	251425-3	- FLAT HEAD SCREW M6X22		1				
002-1	192877-8	DRILL CHUCK S13		1				
003	321082-2	SPINDLE		1				
004	254211-1	KEY 5		1				
005	285807-7	BEARING RETAINER 22-36		1				
006	211206-7	BALL BEARING 6202LLB		1				
007	911288-6	PAN HEAD SCREW M5X65		2				
009	815208-1	NAME PLATE DP4700		1				
010	157010-9	GEAR HOUSING		1	*			
D10		INC. 20			*			
010-1	153551-3	GEAR HOUSING COMPLETE	S	1				
D10		INC. 20						
011	257018-4	RING 15		1				
012	221261-1	SPUR GEAR 47		1				
013	961054-1	RETAINING RING S-14		1				
014	212004-2	NEEDLE BEARING 810		1				
015	157011-7	GEAR HOUSING COVER		1	*			
D10		INC. 22			*			
015-1	153552-1	GEAR HOUSING COVER	S	1				
D10		INC. 22						
016	212012-3	NEEDLE BEARING 609		1				
017	253715-0	FLAT WASHER 6		1				
018	226044-4	GEAR COMPLETE 7-46		1				
019-1	211018-8	BALL BEARING 626LB		1	*			
019-2	211016-2	BALL BEARING 626LLB	O	1				
020	263002-9	RUBBER PIN 4		1				
021	911273-9	PAN HEAD SCREW M5X50		1				
022	263002-9	RUBBER PIN 4		1				
023	211033-2	BALL BEARING 608LB		1				
024	213002-9	DUST SEAL 8		1				
025	241811-6	FAN 54		1				
026J_	518139-0	ARMATURE ASS'Y 220V		1				
D10		INC. 23-27						
027	211028-5	BALL BEARING 627LB		1				
028	263002-9	RUBBER PIN 4		1				
029	253192-6	FLAT WASHER 14		1				
030	411528-7	BAFFLE PLATE		1				
031-1	911185-6	PAN HEAD SCREW M4X55		2				
032C_	525098-1	FIELD ASS'Y 220V		1				
C10	654038-3	INSULATED TERMINAL FT1.25-M4		1	*			
C11	654038-3	INSULATED TERMINAL FT1.25-M4	O	1	*			
C12	654038-3	INSULATED TERMINAL FT1.25-M4	O	1	*			
C13	654038-3	INSULATED TERMINAL FT1.25-M4	O	1				
034C_	191627-8	CARBON BRUSH CB-64		1				
035	643552-4	BRUSH HOLDER 5-8		2				
036	911124-6	PAN HEAD SCREW M4X14		2				
037H_	651256-4	SWITCH SGEL106CV-1A		1	*			
037H1	650226-0	SWITCH TG823AB-2	S	1				

Item	Parts No.	Description	I/C	Qty	N/O	Sales	Purch.	Note
038	411852-8	SWITCH COVER		1				
039P_	692021-2	POWER SUPPLY CORD 1.0-2-2.5		1				
040	911153-9	PAN HEAD SCREW M4X28		3				
041	155283-8	HANDLE COVER COMPLETE		1	*			
C11	816266-0	INDICATION LABEL		1	*			
C20	817609-9	CAUTION LABEL		1	*			
041-1	154951-0	HANDLE COVER COMPLETE	S	1				
C11	816266-0	INDICATION LABEL		1				
C20	817609-9	CAUTION LABEL		1				
042-1	911133-5	PAN HEAD SCREW M4X18		2				
043	687001-1	STRAIN RELIEF		1				
044A_	682502-4	CORD GUARD 8-85		1				
045-2	651478-6	SWITCH VTX11		1				
047-1	156879-8	MOTOR HOUSING		1	*			
C10	816266-0	INDICATION LABEL		1	*			
D10		INC. 28			*			
047-2	154952-8	MOTOR HOUSING COMPLETE	S	1				
C10	816266-0	INDICATION LABEL		1				
D10		INC. 28						
049-1	343693-3	HOOK		1				
400-1	152492-0	GRIP 36 COMPLETE		1				
401-2	763432-9	CHUCK KEY S13		1				
402	410102-8	KEY HOLDER		1				