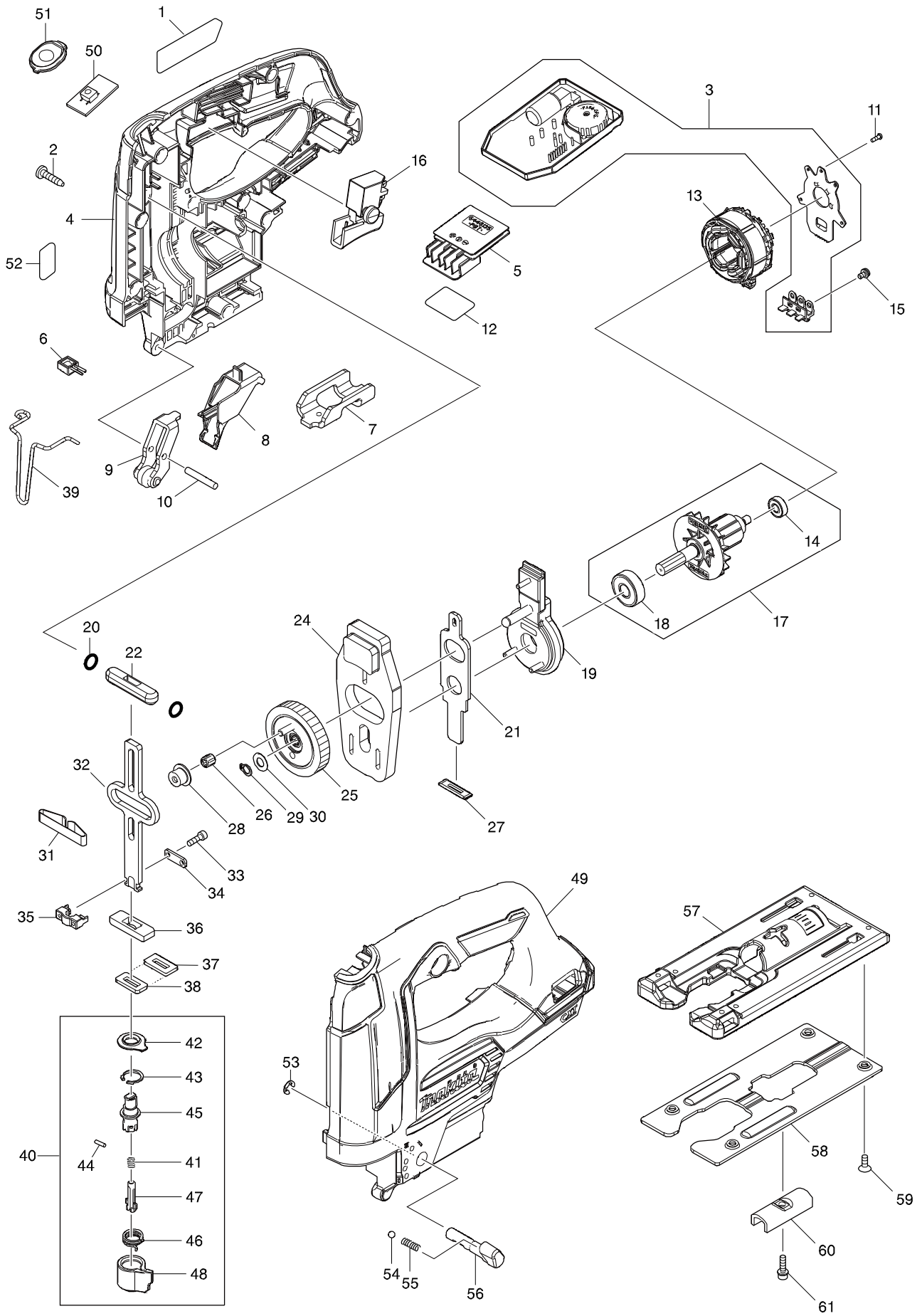


Model No. JV103D CORDLESS JIG SAW



Item	Parts No.	Description	I/C	Qty	N/O	Opt. 1	Opt. 2	Note
001	853P71-0	JV103D NAME PLATE		1				
002	266326-2	TAPPING SCREW 4X18		10				
003	620711-7	CONTROLLER		1				
004	183H18-5	HOUSING SET		1				
D10		INC. 49						
005	644813-5	TERMINAL		1				
006	620713-3	LED CIRCUIT		1				
007	347251-7	HOLDER		1				
008	457866-3	RETAINER GUIDE		1				
009	144629-3	RETAINER COMPLETE		1				
010	256206-0	PIN 4		1				
011	266490-9	TAPPING SCREW PT 2X6		3				
012	853P79-4	JV103D SERIAL NO. LABEL		1				
013	629281-3	STATOR		1				
014	211157-4	BALL BEARING 695ZZ		1				
015	652069-6	FLAT HEAD SCREW M3X6		3				
016	650251-1	SWITCH SGEL106C-4		1				
017	519452-9	ROTOR ASSY		1				
D10		INC. 14,18						
018	210005-4	BALL BEARING 608DDW		1				
019	144820-3	BEARING CASE COMPLETE		1				
020	213038-8	O RING 5		2				
021	347249-4	PUSH PLATE		1				
022	313082-6	SLIDER GUIDE		1				
024	310812-6	BALANCE PLATE		1				
025	144630-8	GEAR COMPLETE		1				
026	212965-6	NEEDLE CAGE 407		1				
027	416703-0	DUST SEAL		1				
028	257804-3	SHOULDER SLEEVE 7		1				
029	961002-0	RETAINING RING S-6		1				
030	253715-0	FLAT WASHER 6		1				
031	232183-0	LEAF SPRING		1				
032	347250-9	SLIDER		1				
033	266177-3	HEX. SOCKET HEAD BOLT M3X10		2				
034	347247-8	PLATE		1				
035	310811-8	BLADE CLAMP		1				
036	313086-8	SLIDER SUPPORT		1				
037	344686-3	SEAL PLATE		1				
038	423307-1	POLY URETANE SPONGE SEAL		1				
039	323748-0	SAFETY WIRE		1				
040	135941-2	BLADE GUIDE ASS'Y		1				
D10		INC. 41-48						
041	233314-4	COMPRESSION SPRING 4		1				
042	424437-1	DUST COVER		1				
043	962063-3	RETAINING RING R-13		1				
044	256528-8	PIN 2		1				
045	310810-0	BLADE GUIDE		1				
046	233591-8	TORSION SPRING 10		1				

