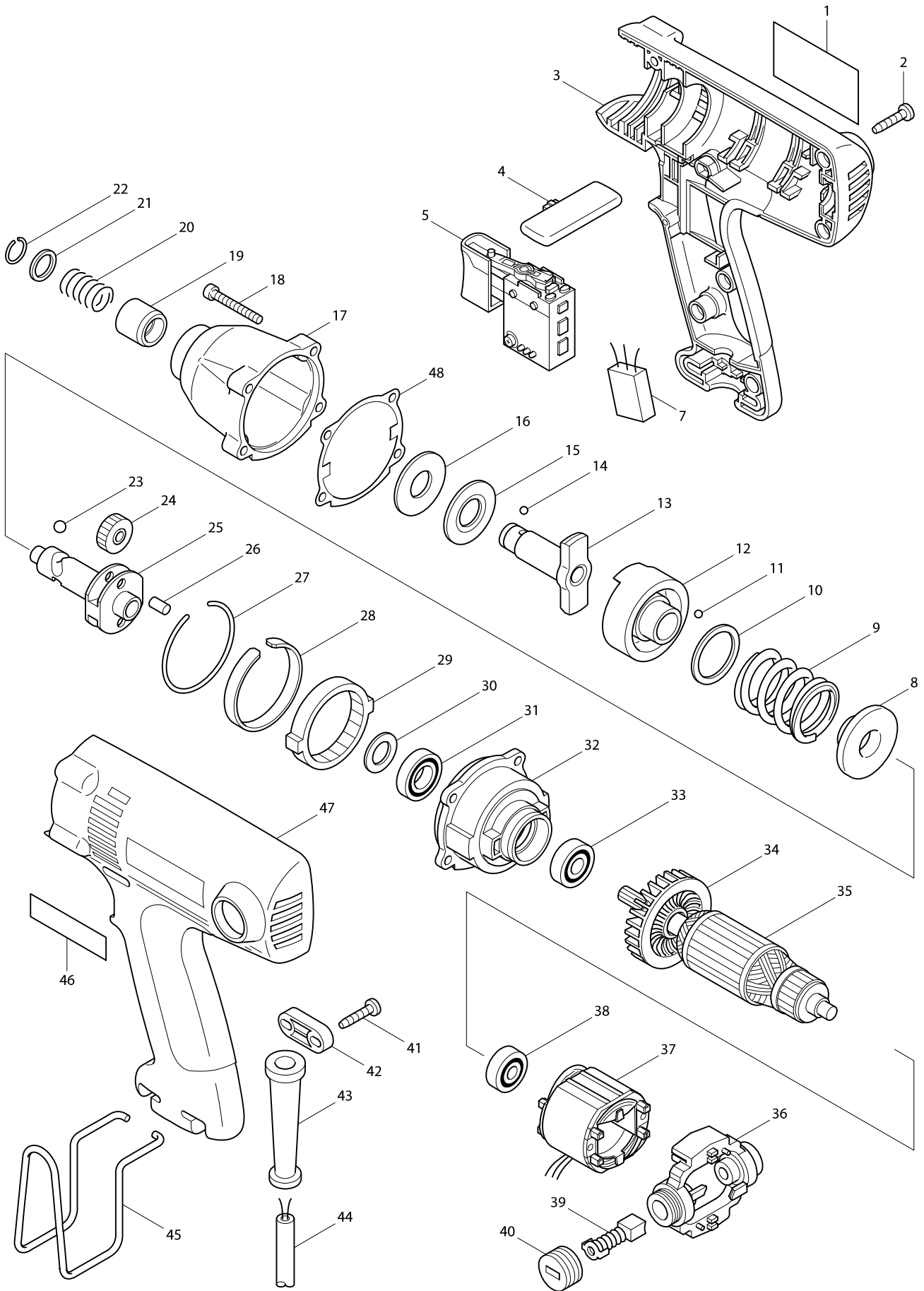


Model No. 6952 IMPACT DRIVER



Model No. 6952 IMPACT DRIVER

Item	Parts No.	Description	I/C	Qty	N/O	Sales	Purch.	Note
001	850841-2	NAME PLATE 6952		1				
002	265995-6	TAPPING SCREW 4X18		7				
003	183394-9	HOUSING SET		1				
C10	263002-9	RUBBER PIN 4		2				
D10		INC. 46,47						
004	417553-6	F/R CHANGE LEVER		1				
005	650505-6	SWITCH C3MA-D		1				
008	267759-4	CUP WASHER 14		1				
009	233310-2	COMPRESSION SPRING 25		1				
010	267175-0	FLAT WASHER 24		1				
011	216001-0	STEEL BALL 3.5		25				
012	324145-3	HAMMER		1				
013	324093-6	ANVIL N		1				
014	216001-0	STEEL BALL 3.5		2				
015	267226-9	FLAT WASHER 14		1				
016	261119-2	RUBBER WASHER 14		1				
017	152828-3	HAMMER CASE COMPLETE		1				
C10	213179-0	OIL SEAL 14		1				
C20	257709-7	SLEEVE 14		1				
018	266295-7	HEX. SOCKET HEAD BOLT M4X30		4				
019	322434-0	SLEEVE		1	*			
019-1	324420-7	SLEEVE	O	1				
020	233005-7	COMPRESSION SPRING 13		1				
021	267085-1	FLAT WASHER 12		1				
022	231951-8	RING SPRING 11		1				
023	216011-7	STEEL BALL 5.6		2				
024	226336-1	SPUR GEAR 22		2				
025	324090-2	SPINDLE		1				
026	268070-7	PIN 5		2	*			
026-1	256253-1	PIN 5	O	2				
027	233910-8	RING SPRING 43		1				
028	344991-8	C-SLEEVE 45		1				
029	227001-5	INTERNAL GEAR 51		1				
030	267212-0	FLAT WASHER 12		1				
031	211140-1	BALL BEARING 6901LLB		1				
032	317428-8	INTERNAL GEAR CASE		1				
033	210024-0	BALL BEARING 608LLU		1				
034	240046-6	FAN 46		1				
D10		INC. 33,34,38						
035A	517543-0	ARMATURE ASS'Y 220V		1				
035B	518553-0	ARMATURE ASS'Y 115V		1				
036	152990-4	HOLDER ARM COMPLETE		1				
C10	643981-1	BRUSH HOLDER 6X9		2				
037A	635033-2	FIELD 220V		1				
037B	639705-1	FIELD 115V		1				
038	211021-9	BALL BEARING 607LLB		1				
039A	191940-4	CARBON BRUSH CB-411		1				
039B	191980-2	CARBON BRUSH CB-452		1				

Model No. 6952 IMPACT DRIVER

Item	Parts No.	Description	I/C	Qty	N/O	Sales	Purch.	Note
040	643928-5	BRUSH HOLDER CAP		2				
041	265995-6	TAPPING SCREW 4X18		2				
042A	687052-4	STRAIN RELIEF		1				
042B	687063-9	CORD CLAMP		1				
043A	682566-8	CORD GUARD 10		1				
043B	682559-5	CORD GUARD 8		1				
044A	692527-0	POWER SUPPLY CORD 1.0-2-2.5		1				
044B	664013-1	POWER SUPPLY CORD AWG#18-2-2.5		1				
045	324284-9	HOOK		1				
046	819063-3	MAKITA LABEL		1				
047	183394-9	HOUSING SET		1				
C10	263002-9	RUBBER PIN 4		2				
D10		INC. 3,46						
048	442137-1	GASKET		1				
A01	784203-1	PHILLIPS BIT 2-65		1	*			
A01-1	784203-1	PHILLIPS BIT 2-65	O	1	*			
A01-2	784203-1	PHILLIPS BIT 2-65	O	1				
A02	824630-1	PLASTIC CARRYING CASE		1				
C10	186347-7	SLIDE LATCH SET		1				