



HK

HONG KONG

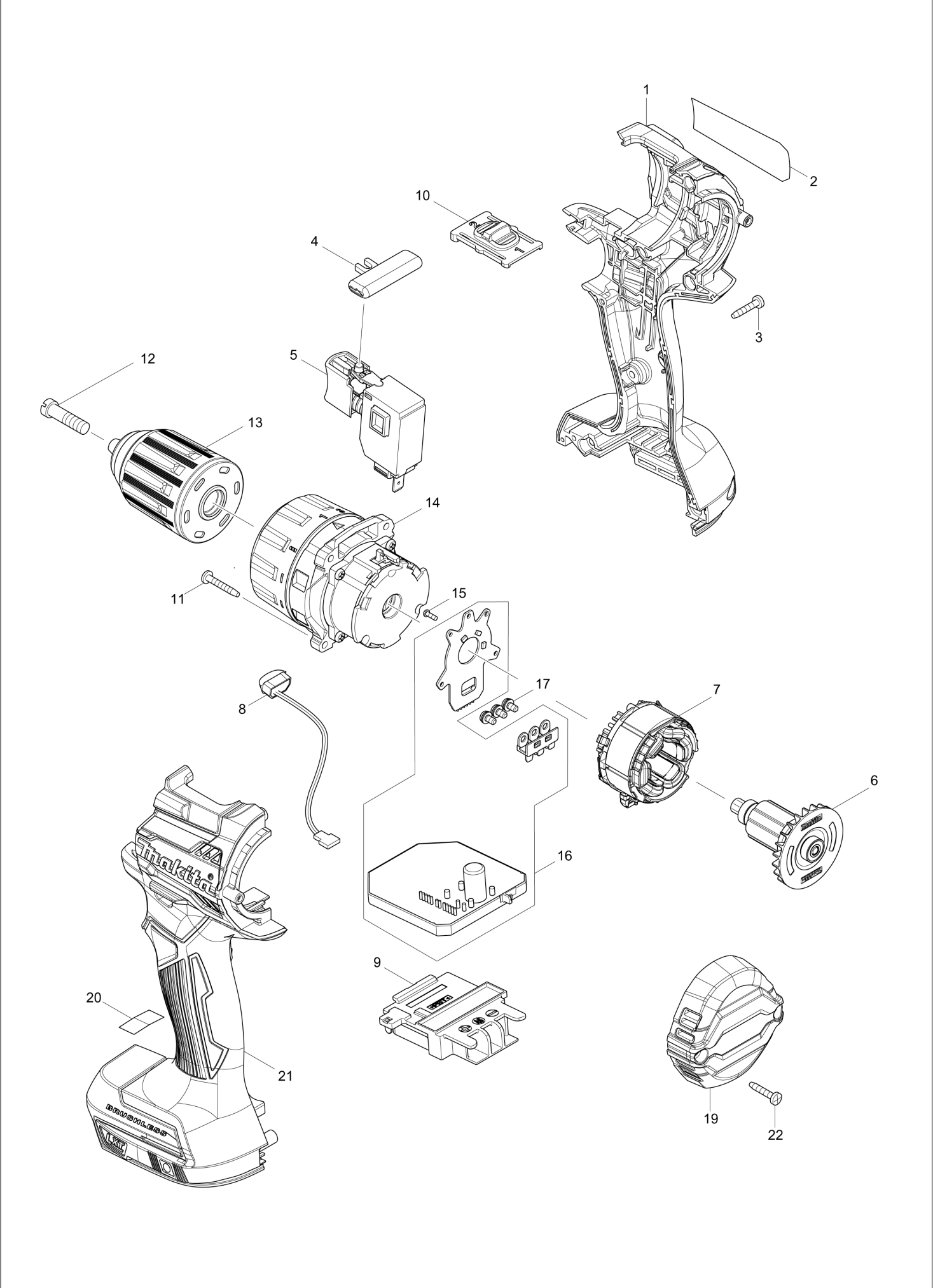
# Diagram / Parts List

**DDF484**

**CORDLESS DRIVER DRILL**



(HK) DDF484 / CORDLESS DRIVER DRILL



HK

HONG KONG

## DDF484 / CORDLESS DRIVER DRILL

Item	Sub	Parts No.	Parts Description	Qty	I/C	E/C No.	Close No.	Remark
001		183E71-3	HOUSING SET	1			C6307	
	C10	263005-3	RUBBER PIN 6	2			C6307	
	C20	252126-6	HEX. LOCK NUT M4-7	2			C6307	
	D10		INC. 21				C6307	
001-1		183L79-9	HOUSING SET	1	<	C6307		
	C10	263005-3	RUBBER PIN 6	2		C6307		
	C20	252126-6	HEX. LOCK NUT M4-7	2		C6307		
	D10		INC. 21			C6307		
002		852M14-1	DDF484 NAME PLATE	1				
003		266429-2	TAPPING SCREW 3X16	7				
004		419041-9	F/R CHANGE LEVER	1				
005		650710-5	SWITCH C3JW-4B	1			D9871	
005-1		650006-4	SWITCH TGRK2-1	1	O	D9871		
006		619406-7	ROTOR	1			C6318	
006-1		619406-7	ROTOR	1	O	C6318		
007		629225-3	STATOR	1				
008		620549-0	LED CIRCUIT	1				
009		643874-2	TERMINAL	1				
010		123738-1	SPEED CHANGE LEVER ASSEMBLY	1				
	C10	233438-6	COMPRESSION SPRING 4	2				
011		251497-8	TAPPING SCREW 3X20	4				
012		251468-5	- FLAT HEAD SCREW M6X22	1				
013		766027-7	KEYLESS DRILL CHUCK 13	1				
014		123737-3	GEAR ASSEMBLY	1			C9576	
014-1		127500-6	GEAR ASSEMBLY	1	<	C9576		
015		266490-9	TAPPING SCREW PT 2X6	3				
016		620548-2	CONTROLLER	1				
017		652069-6	FLAT HEAD SCREW M3X6	3				
019		456967-4	REAR COVER	1				
021		183E71-3	HOUSING SET	1			C6307	
	C10	263005-3	RUBBER PIN 6	2			C6307	
	C20	252126-6	HEX. LOCK NUT M4-7	2			C6307	
	D10		INC. 1				C6307	
021-1		183L79-9	HOUSING SET	1	<	C6307		
	C10	263005-3	RUBBER PIN 6	2		C6307		
	C20	252126-6	HEX. LOCK NUT M4-7	2		C6307		
	D10		INC. 1			C6307		
022		266429-2	TAPPING SCREW 3X16	2				
A01		251314-2	+ SCREW M4X12	1				
A02A		346317-0	HOOK	1				
A02C		346317-0	HOOK	1				
A02D		346317-0	HOOK	1				
A02E		346449-3	HOOK	1				
A02X		346449-3	HOOK	1				
A02Y		346317-0	HOOK	1				
A02Z		346317-0	HOOK	1				
A03		784637-8	+ - BIT 2-45	1				
A04A		158597-4	PLASTIC CASE COMPLETE	1				
	C10	417724-5	LATCH	2				
A04D		158597-4	PLASTIC CASE COMPLETE	1				
	C10	417724-5	LATCH	2				
A04E		158597-4	PLASTIC CASE COMPLETE	1				
	C10	417724-5	LATCH	2				
A04X		158597-4	PLASTIC CASE COMPLETE	1				
	C10	417724-5	LATCH	2				
A04Y		158597-4	PLASTIC CASE COMPLETE	1				
	C10	417724-5	LATCH	2				
A05A		450128-8	BATTERY COVER	1				
A05D		450128-8	BATTERY COVER	1				
A05E		450128-8	BATTERY COVER	1				
A05X		450128-8	BATTERY COVER	1				
A05Y		450128-8	BATTERY COVER	1				
A06A		***DC18RC	DC18RC FAST CHARGER	1				
	D10		COMPO-PARTS					
A06D		***DC18RC	DC18RC FAST CHARGER	1				

A:DDF484RME(H) Z:DDF484Z(N)  
C:DDF484Z(N)  
D:DDF484RTE(H)  
E:DDF484SYE(H)  
X:DDF484SYE(H)  
Y:DDF484RTE(H)

Interchange  
O : Yes  
X : No  
< : the new part can be substituted for the current.  
> : the current part can be substituted for the new.  
S : Interchangeable as a set.

