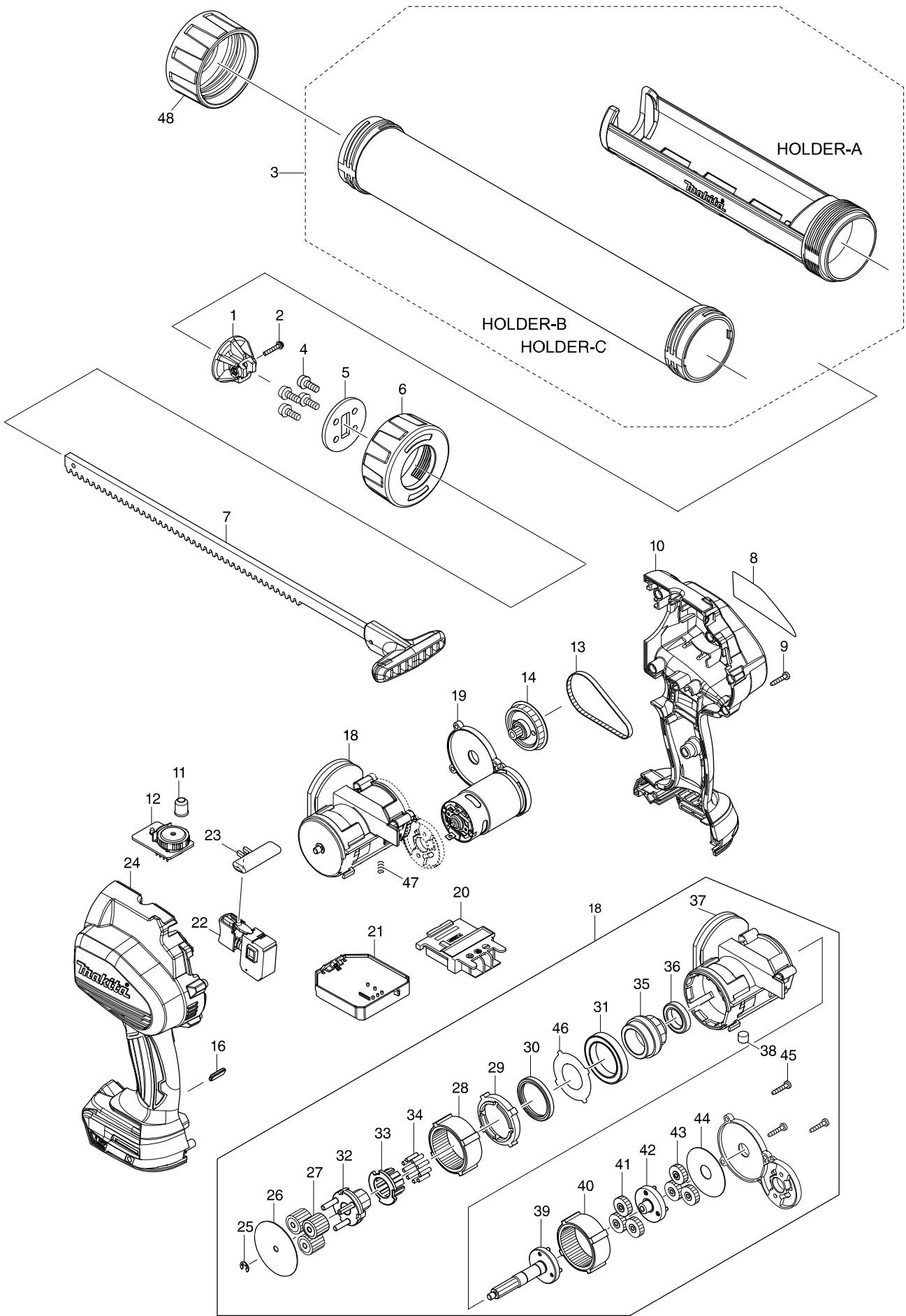


# Model No. DCG180 CORDLESS CAULKING GUN



# Model No. DCG180 CORDLESS CAULKING GUN

Item	Parts No.	Description	I/C	Qty	N/O	Sales	Purch.	Note
001C	142071-2	PISTON A COMPLETE		1				
001D	142072-0	PISTON B COMPLETE		1				
002	266827-0	PAN HEAD SCREW M3X18 WITH WR		1				
003C	454275-7	HOLDER A		1				
003D	141861-0	HOLDER B COMPLETE		1				
004	265074-0	PAN HEAD SCREW M5X16		4				
005	346649-5	PLATE		1				
006C	454223-6	HOLDER JOINT A		1				
006D	318958-2	HOLDER JOINT B		1				
007C	142041-1	RACK 42 COMPLETE		1				
007D	142042-9	RACK 64 COMPLETE		1				
008	815F86-5	DCG180 NAME PLATE		1				
009	266429-2	TAPPING SCREW 3X16		9				
010	187618-5	HOUSING SET		1				
C10	263005-3	RUBBER PIN 6		2				
D10		INC. 24						
011	418821-0	LENS		1				
012	620180-2	SUB CONTROLLER		1				
013	225097-0	SYNCHRO BELT 4-176		1				
014	142038-0	SPUR GEAR 9A COMPLETE		1				
016	454230-9	LENS		1				
018	126253-4	GEAR ASSEMBLY		1				
D10		INC. 25-46						
019	142066-5	MOTOR COMPLETE		1				
020	643860-3	TERMINAL		1				
021	632A63-0	CONTROLLER UNIT		1				
022	650632-9	SWITCH		1				
023	451162-1	LOCK LEVER		1				
024	187618-5	HOUSING SET		1				
C10	263005-3	RUBBER PIN 6		2				
D10		INC. 10						
025	961011-9	STOP RING E-4		1				
026	267465-1	FLAT WASHER 5		1				
027	227311-0	SPUR GEAR 19B		3				
028	227309-7	INTERNAL GEAR 48		1				
029	454220-2	SPACER		1				
030	213768-1	OIL SEAL 30		1				
031	211294-4	BALL BEARING 6806LLU		1				
032	141860-2	CARRIER A COMPLETE		1				
033	313253-5	CARRIER B		1				
034	256255-7	PIN 3		9				
035	227312-8	SPUR GEAR 10		1				
036	211482-3	BALL BEARING 6803LLU		1				
037	454219-7	GEAR HOUSING		1				
038	313257-7	MAGNET		1				
039	141859-7	SPUR GEAR 9C COMPLETE		1				
040	227309-7	INTERNAL GEAR 48		1				
041	227310-2	SPUR GEAR 19A		3				

