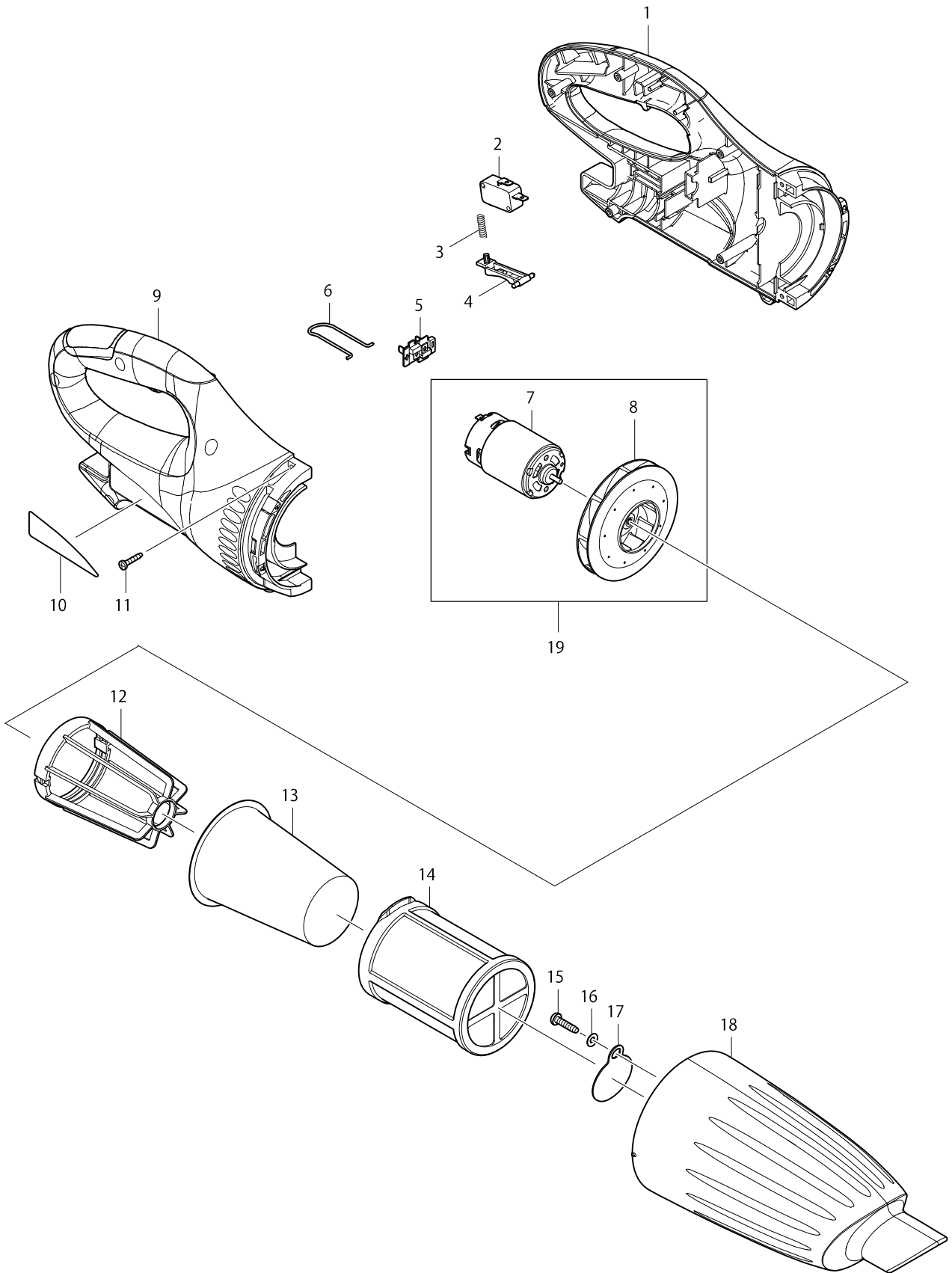


Model No. CL070D CORDLESS CLEANER



Model No. CL070D CORDLESS CLEANER

| Item | Parts No. | Description | I/C | Qty | N/O | Sales | Purch. | Note |
|-------|-----------|----------------------------|-----|-----|-----|-------|--------|------|
| 001 | 188687-9 | HOUSING SET | | 1 | * | | | |
| D10 | | INC. 9 | | | * | | | |
| 001-1 | 188974-6 | HOUSING SET | < | 1 | | | | |
| D10 | | INC. 9 | | | | | | |
| 002 | 651944-3 | SWITCH DMC-1115-13 | | 1 | | | | |
| 003 | 231473-8 | COMPRESSION SPRING 4 | | 1 | | | | |
| 004 | 451210-6 | SWITCH LEVER | | 1 | | | | |
| 005 | 643817-4 | TERMINAL | | 1 | | | | |
| 006 | 324885-3 | HANGER | | 1 | | | | |
| 007 | 629864-9 | DC MOTOR | | 1 | | | | |
| 008 | 240102-2 | FAN 82 | | 1 | | | | |
| 009 | 188687-9 | HOUSING SET | | 1 | * | | | |
| D10 | | INC. 1 | | | * | | | |
| 009-1 | 188974-6 | HOUSING SET | < | 1 | | | | |
| D10 | | INC. 1 | | | | | | |
| 010 | 866711-5 | CL070D NAME PLATE | | 1 | | | | |
| 011 | 266429-2 | TAPPING SCREW 3X16 | | 7 | | | | |
| 012 | 410237-5 | STAY | | 1 | | | | |
| 013 | 443060-3 | FILTER | | 1 | | | | |
| 014 | 451208-3 | PRE-FILTER | | 1 | | | | |
| 015 | 265995-6 | TAPPING SCREW 4X18 | | 1 | | | | |
| 016 | 941051-3 | FLAT WASHER 4 | | 1 | | | | |
| 017 | 424208-6 | VALVE | | 1 | | | | |
| 018 | 451207-5 | CAPSULE | | 1 | | | | |
| 019 | 135404-8 | MOTOR ASSEMBLY | | 1 | | | | |
| D10 | | INC. 7,8 | | | | | | |
| A01 | 122861-9 | NOZZLE ASS'Y | | 1 | * | | | |
| C10 | 268208-4 | PIN 3 | | 4 | * | | | |
| C20 | 424095-3 | ROLLER | | 4 | * | | | |
| C30 | 424096-1 | WIPER | | 1 | * | | | |
| A01-1 | 122861-9 | NOZZLE ASS'Y | O | 1 | * | | | |
| C10 | 268208-4 | PIN 3 | | 4 | * | | | |
| C21 | 451410-8 | ROLLER | | 4 | * | | | |
| C30 | 424096-1 | WIPER | | 1 | * | | | |
| A01-2 | 123485-4 | NOZZLE ASSEMBLY | < | 1 | | | | |
| C10 | 268208-4 | PIN 3 | | 4 | | | | |
| C21 | 451410-8 | ROLLER | | 4 | | | | |
| C30 | 424096-1 | WIPER | | 1 | | | | |
| A02 | 416041-0 | SASH NOZZLE (IVORY) | | 1 | | | | |
| A03 | 451424-7 | PIPE | | 1 | | | | |
| A04 | 416043-6 | SASH NOZZLE HOLDER (IVORY) | | 1 | | | | |
| | | | | | | | | |
| | | | | | | | | |
| | | | | | | | | |
| | | | | | | | | |
| | | | | | | | | |
| | | | | | | | | |
| | | | | | | | | |
| | | | | | | | | |