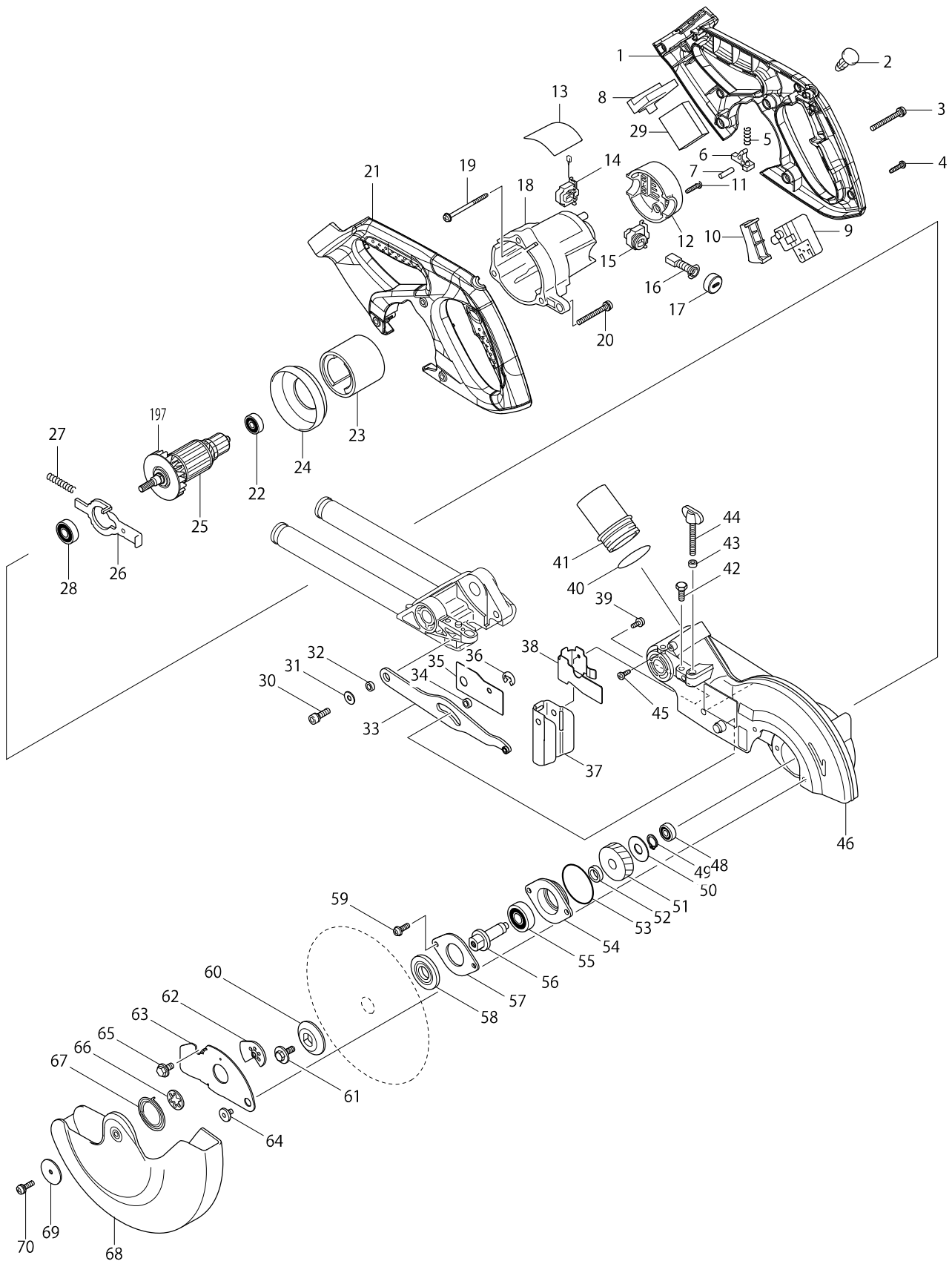
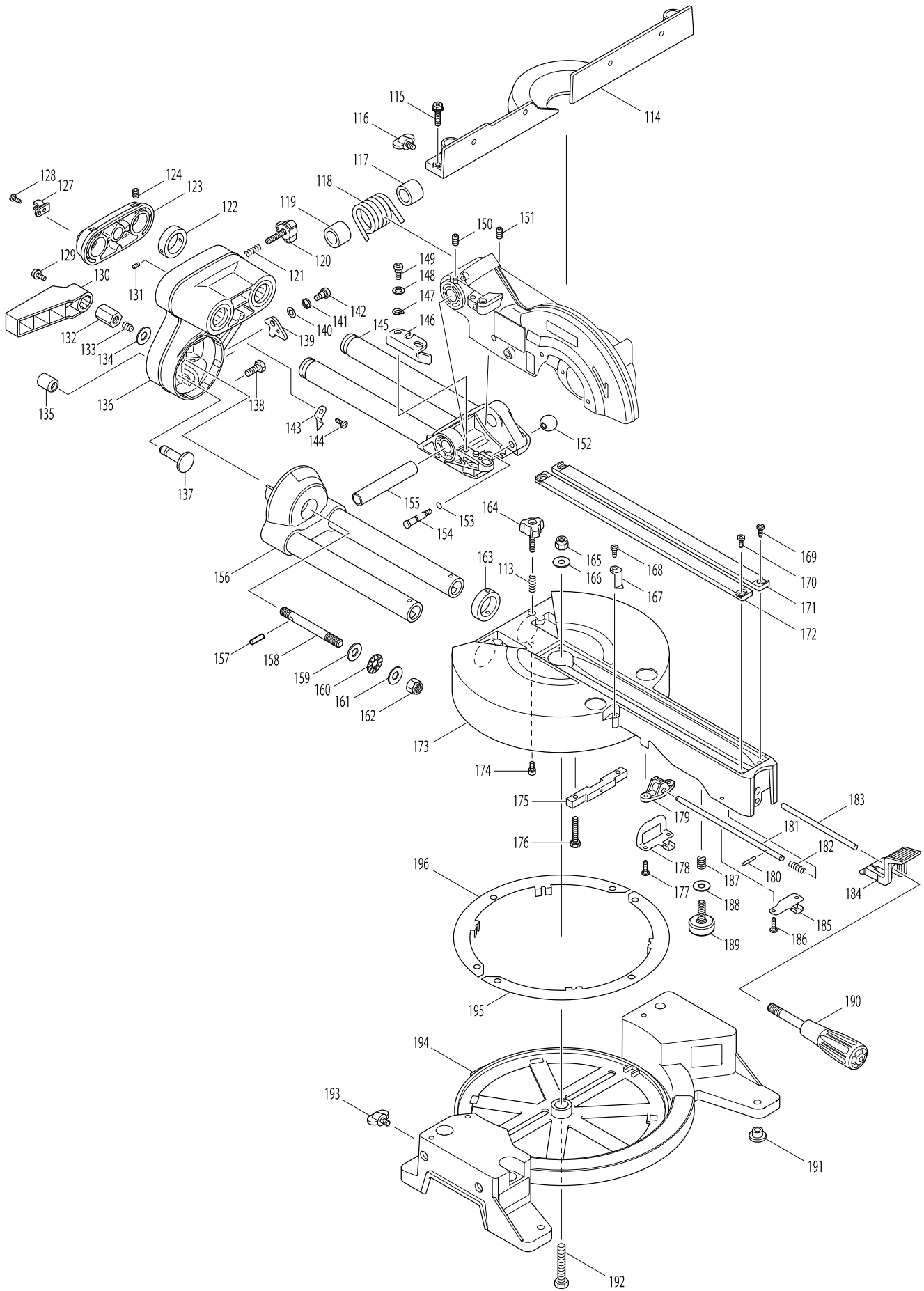


Model No. DLS713 190MM SLIDE COMPOUND SAW



Model No. DLS713 190MM SLIDE COMPOUND SAW



Model No. DLS713 190MM SLIDE COMPOUND SAW

Item	Parts No.	Description	I/C	Qty	N/O	Sales	Purch.	Note
001	188961-5	HANDLE SET		1				
D10		INC. 21						
002	417113-4	SWITCH BUTTON		1				
003	911268-2	PAN HEAD SCREW M5X45		3				
004	265995-6	TAPPING SCREW 4X18		5				
005	231026-3	COMPRESSION SPRING 4		1				
006	416533-9	LOCK OFF LEVER		1				
007	256123-4	PIN 5		1				
008	644808-8	TERMINAL		1				
009	651956-6	SWITCH TG72BD		1				
010	452130-7	SWITCH LEVER		1				
011	265995-6	TAPPING SCREW 4X18		2				
012	416639-3	REAR COVER		1				
013	815T55-0	DLS713 NAME PLATE		1				
014	643939-0	BRUSH HOLDER		1				
015	643966-7	BRUSH HOLDER		1				
016	194435-6	CARBON BRUSH CB-441		1				
017	643941-3	BRUSH HOLDER CAP		2				
018	416909-0	MOTOR HOUSING		1				
019	266209-6	TAPPING SCREW 4X60		2				
020	911268-2	PAN HEAD SCREW M5X45		3				
021	188961-5	HANDLE SET		1				
D10		INC. 1						
022	210023-2	BALL BEARING 627DDW		1	*			
022-1	210045-2	BALL BEARING 627DDW	O	1				
023	632828-4	YOKE UNIT		1				
024	416907-4	BAFFLE PLATE		1				
025	519269-0	ARMATURE ASS'Y 18V		1				
D10		INC. 22,28,197						
026	344681-3	SHAFT LOCK		1				
027	233092-6	COMPRESSION SPRING 5		1				
028	211088-7	BALL BEARING 6000DDW		1				
029	620263-8	CONTROLLER		1				
030	922331-6	HEX. SOCKET HEAD BOLT M6X20		1				
031	253804-1	FLAT WASHER 6		1				
032	257163-5	RING 6		1				
033	154643-1	LINK PLATE COMPLETE		1				
034	257163-5	RING 6		1				
035	346330-8	LINK COVER		1				
036	961018-5	STOP RING E-5		1				
037	424045-8	GUARD		1				
038	345438-5	GUARD PLATE		1				
039	911113-1	PAN HEAD SCREW M4X10		1				
040	213460-9	O RING 35		1				
041	419277-0	DUST NOZZLE		1				
042	266757-5	HEX. SOCKET HEAD BOLT M6X16		1				
043	262001-8	URETHANE RING 5		1				
044	265717-4	SCREW M6X43		1				

Model No. DLS713 190MM SLIDE COMPOUND SAW

Item	Parts No.	Description	I/C	Qty	N/O	Sales	Purch.	Note
045	266026-4	TAPPING SCREW BIND CT 4X12		1				
046	140699-0	BLADE CASE COMPLETE		1				
C10	263002-9	RUBBER PIN 4		1				
C20	263005-3	RUBBER PIN 6		1				
C30	810968-0	CAUTION LABEL		1				
048	211021-9	BALL BEARING 607LLB		1				
049	961052-5	RETAINING RING S-12		1				
050	253813-0	FLAT WASHER 12		1				
051	226512-7	HELICAL GEAR 60		1				
052	257011-8	RING 12		1				
053	213623-7	O RING 46		1				
054	317193-9	BEARING BOX		1				
055	211129-9	BALL BEARING 6201DDW		1				
056	323798-5	SPINDLE		1				
057	285694-4	BEARING RETAINER 58		1				
058	224370-5	INNER FLANGE 40		1				
059	911223-4	PAN HEAD SCREW M5X16		2				
060	224275-9	OUTER FLANGE 40		1				
061	266733-9	HEX. S.F.H. BOLT M6X16		1				
062	345585-2	CENTER PLATE		1				
063	346232-8	CENTER COVER		1				
064	265985-9	HEX.SOCKET HEAD BOLT M6		1				
065	266732-1	HEX. SOCKET HEAD BOLT M6X16		1				
066	345589-4	CENTER WASHER		1				
067	231934-8	SPIRAL SPRING 26		1				
068	419123-7	SAFETY COVER		1				
069	267136-0	FLAT WASHER 5		1				
070	911228-4	PAN HEAD SCREW M5X18		1	*			
070-1	265491-4	H.S. BUTTON HEAD BOLT M5X16	<	1				
113	231325-3	COMPRESSION SPRING 6		1				
114	318655-0	GUIDE FENCE		1				
115	922344-7	H.S.H.BOLT M6X25 WITH WG		3				
116	251887-5	SCREW M6X10		1				
117	416535-5	SLEEVE 17		1				
118	231638-2	TORSION SPRING 28		1				
119	416535-5	SLEEVE 17		1				
120	265790-4	THUMB SCREW M6X28		1				
121	231325-3	COMPRESSION SPRING 6		1				
122	257214-4	RING 26		1				
123	318651-8	PIPE HOLDER		1				
124	266208-8	H.S.SET SCREW(CUP POINT)M6X8		2				
127	687045-1	STRAIN RELIEF		1				
128	266026-4	TAPPING SCREW BIND CT 4X12		1				
129	911113-1	PAN HEAD SCREW M4X10		1				
130	416006-2	LEVER 100		1				
131	913106-4	SET SCREW M4X8		1				
132	252144-4	HEX. NUT M10-17		1				
133	231266-3	COMPRESSION SPRING 5		1				

Model No. DLS713 190MM SLIDE COMPOUND SAW

Item	Parts No.	Description	I/C	Qty	N/O	Sales	Purch.	Note
134	253024-7	FLAT WASHER 10		1				
135	286236-7	CAP 16		1				
136	140609-7	ARM COMPLETE		1				
C10	211376-2	LINEAR BALL BEARING 2560		2				
C20	262077-5	FELT RING 25		4				
C30	263005-3	RUBBER PIN 6		2				
C40	344638-4	CAP 35		2				
137	324295-4	RELEASE PIN		1				
138	266757-5	HEX. SOCKET HEAD BOLT M6X16		2				
139	345299-3	STOPPER PLATE		1				
140	253726-5	FLAT WASHER 6		1				
141	231663-3	TORSION SPRING 8		1				
142	265113-6	+PAN HEAD SCREW M5		1				
143	343678-9	POINTER		1				
144	266026-4	TAPPING SCREW BIND CT 4X12		1				
145	140608-9	FRONT ARM COMPLETE		1				
146	344643-1	STOPPER ARM		1				
147	253948-7	WAVE WASHER 8		1				
148	253835-0	FLAT WASHER 8		1				
149	251267-5	+ PAN HEAD SCREW M6		1				
150	251961-9	H.S.SET SCREW(FLAT POINT)M6X10		1				
151	251961-9	H.S.SET SCREW(FLAT POINT)M6X10		1				
152	271601-3	KNOB 20		1				
153	213021-5	O RING 5		1				
154	324183-5	STOPPER PIN		1				
155	331350-5	PIN 16-90		1				
156	140610-2	ARM HOLDER COMPLETE		1				
C10	816392-5	BEVEL SCALE LABEL		1				
157	256123-4	PIN 5		1				
158	266320-4	SCREW M10		1				
159	253024-7	FLAT WASHER 10		1				
160	216413-7	THRUST NEEDLE CAGE 1024		1				
161	253024-7	FLAT WASHER 10		1				
162	252130-5	HEX. LOCK NUT M10-17		1				
163	257214-4	RING 26		1				
164	265790-4	THUMB SCREW M6X28		1				
165	252105-4	HEX. LOCK NUT M8-13		1				
166	253731-2	FLAT WASHER 8		1				
167	416355-7	INDICATION PLATE		1				
168	266026-4	TAPPING SCREW BIND CT 4X12		1				
169	266026-4	TAPPING SCREW BIND CT 4X12		2				
170	266026-4	TAPPING SCREW BIND CT 4X12		2				
171	419103-3	KERF BOARD		1				
172	419103-3	KERF BOARD		1				
173	140614-4	TURN BASE COMPLETE		1				
C10	211376-2	LINEAR BALL BEARING 2560		2				
C20	262077-5	FELT RING 25		4				
C30	263005-3	RUBBER PIN 6		1				

Model No. DLS713 190MM SLIDE COMPOUND SAW

Item	Parts No.	Description	I/C	Qty	N/O	Sales	Purch.	Note
C40	344638-4	CAP 35		2				
C50	817283-3	CAUTION LABEL		2				
C60	810495-7	CAUTION LABEL		1				
174	922111-0	HEX. SOCKET HEAD BOLT M4X10		1				
175	153580-6	SQUARE ROD COMPLETE		1				
C10	263005-3	RUBBER PIN 6		1				
176	925251-3	HEX.BOLT M5X30		2				
177	266034-5	TAPPING SCREW CT 4X16		2				
178	344601-7	LOCK PLATE		1				
179	317616-7	PIN HOLDER		1				
180	256158-5	PIN 3		1				
181	324288-1	LOCK PIN		1				
182	231325-3	COMPRESSION SPRING 6		1				
183	324289-9	ROD 6		1				
184	416450-3	LOCK LEVER		1				
185	345272-3	LOCK LEVER PLATE		1				
186	266034-5	TAPPING SCREW CT 4X16		2				
187	231418-6	COMPRESSION SPRING 9		1				
188	253731-2	FLAT WASHER 8		1				
189	266432-3	ADJUST BOLT M8X27		1				
190	273658-0	GRIP 32		1				
191	286212-1	CAP 20		5				
192	921472-5	HEX. BOLT M8X50		1				
193	251887-5	SCREW M6X10		2				
194	140612-8	BASE COMPLETE		1				
C10	816339-9	MITER SCALE PLATE		1				
C20	810486-8	CAUTION LABEL		1				
195	344646-5	SLIDE PLATE		1				
196	344646-5	SLIDE PLATE		1				
197	241873-4	FAN 55		1				
A01	122571-8	VICE ASS'Y		1				
C10	316938-2	WISE ARM		1				
C20	251887-5	SCREW M6X10		1				
C30	322313-2	WISE ROD		1				
C40	265733-6	THUMB SCREW M10X60		1				
C50	253804-1	FLAT WASHER 6		1				
C60	343651-9	WISE PLATE		1				
C70	251370-2	+ PAN HEAD SCREW M5		1				
A02	122852-0	DUST BAG ASS'Y		1				
C10	410602-8	FASTENER		1				
A03	762001-3	TRIANGULAR RULE		1				
A04	322312-4	HOLDER		2				
A05	783203-8	HEX. WRENCH 5		1				
A06	A-86147	T.C.T.SAW BLADE 190X20X40T		1				