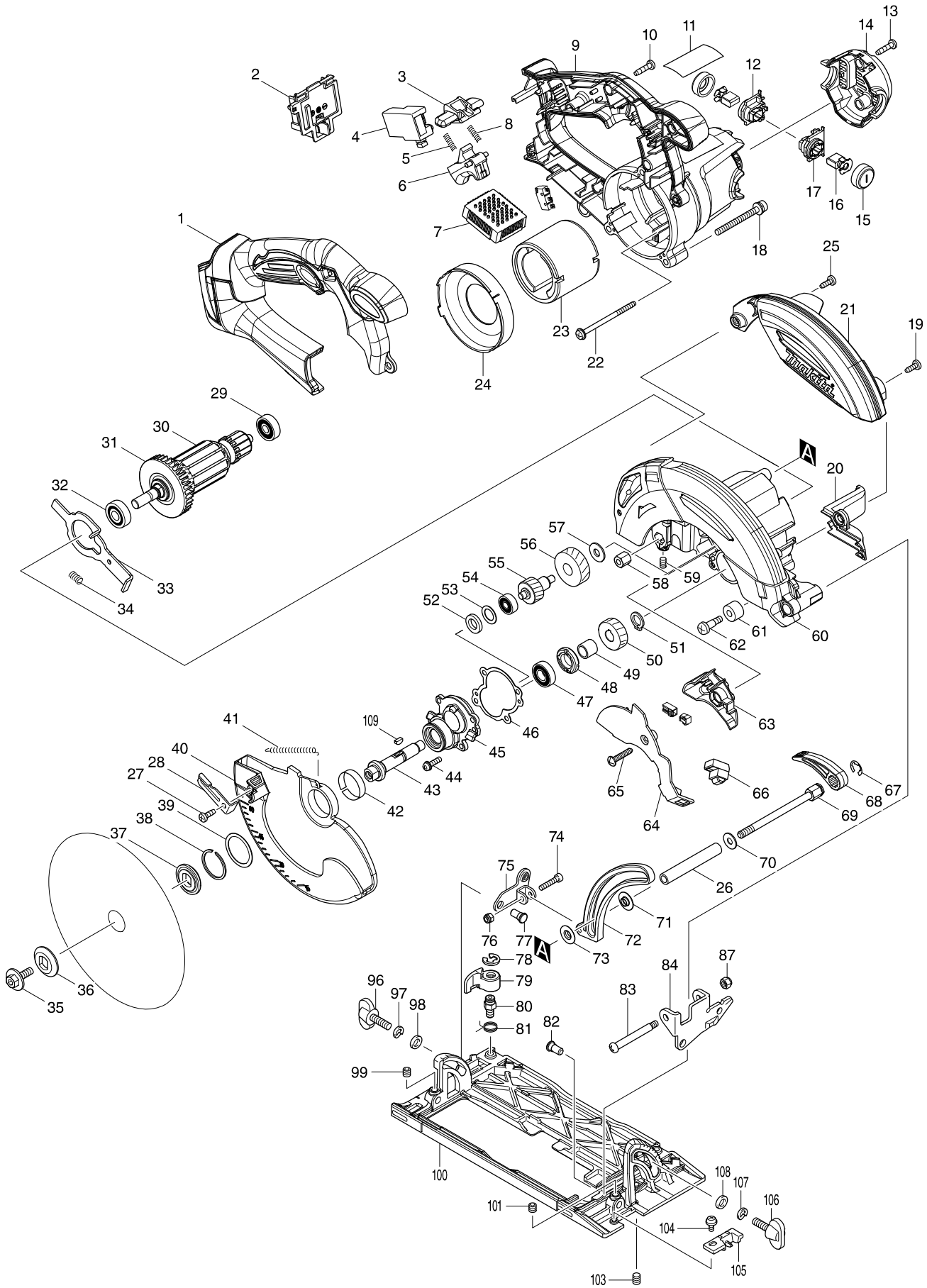


Model No. DHS630 165MM CORDLESS CIRCULAR SAW



Model No. DHS630 165MM CORDLESS CIRCULAR SAW

Item	Parts No.	Description	I/C	Qty	N/O	Sales	Purch.	Note
001	141237-1	HANDLE COVER COMPLETE		1				
C10	263005-3	RUBBER PIN 6		1				
002	644808-8	TERMINAL		1				
003	419664-3	LOCK OFF LEVER		1				
004	650631-1	SWITCH		1				
005	231469-9	COMPRESSION SPRING 4		1				
006	419665-1	SWITCH LEVER		1				
007	620257-3	CONTROLLER		1				
C10	620059-7	SWITCH UNIT		1				
008	231469-9	COMPRESSION SPRING 4		1				
009	140984-1	MOTOR HOUSING COMPLETE		1				
C10	263005-3	RUBBER PIN 6		1				
010	265995-6	TAPPING SCREW 4X18		7				
011	815J60-7	DHS630 NAME PLATE		1				
012	643813-2	BRUSH HOLDER		1				
013	265995-6	TAPPING SCREW 4X18		2				
014	452787-4	REAR COVER		1				
015	643941-3	BRUSH HOLDER CAP		2				
016	194435-6	CARBON BRUSH CB-441		1				
017	643814-0	BRUSH HOLDER		1				
018	911258-5	PAN HEAD SCREW M5X35		3				
019	266026-4	TAPPING SCREW BIND CT 4X12		1				
020	452790-5	DUCT		1				
021	452789-0	BLADE COVER		1				
022	266292-3	TAPPING SCREW 4X65		2				
023	638571-3	YOKE UNIT		1				
024	452785-8	BAFFLE PLATE		1				
025	266026-4	TAPPING SCREW BIND CT 4X12		1				
026	331947-0	PIPE 6		1				
027	266020-6	TAPPING SCREW 4X12		1				
028	272270-3	LEVER 39		1				
029	210023-2	BALL BEARING 627DDW		1				
030	519288-6	ARMATURE ASSEMBLY 18V		1				
D10		INC. 29,31,32						
031	241869-5	FAN 55		1				
032	210051-7	BALL BEARING 609LLB		1				
033	344681-3	SHAFT LOCK		1				
034	233117-6	COMPRESSION SPRING 6		1				
035	266458-5	HEX.SOCKET HEX.BOLT M6X18		1				
036	224421-4	OUTER FLANGE 28		1				
037	224417-5	INNER FLANGE 28		1				
038	257938-2	RETAINING RING(EXT) WR-26		1				
039	267127-1	FLAT WASHER 26		1				
040	452791-3	SAFETY COVER		1				
041	231874-0	TENSION SPRING 4		1				
042	345470-9	THICKNESS RING		1				
043	326410-6	SPINDLE		1				
044	911128-8	PAN HEAD SCREW M4X16		4				

Model No. DHS630 165MM CORDLESS CIRCULAR SAW

Item	Parts No.	Description	I/C	Qty	N/O	Sales	Purch.	Note
045	140983-3	BEARING BOX COMPLETE		1				
C10	263002-9	RUBBER PIN 4		1				
046	442141-0	GASKET		1				
047	210069-8	BALL BEARING 6900DDW		1				
048	285847-5	BEARING RETAINER 14-23		1				
049	257284-3	RING 10		1				
050	227791-0	HELICAL GEAR 24		1				
051	961006-2	RETAINING RING S-10		1				
052	262155-1	RUBBER RING 10		1				
053	267369-7	FLAT WASHER 11		1				
054	211012-0	BALL BEARING 606ZZ		1				
055	227717-2	HELICAL GEAR 17		1				
056	226676-7	HELICAL GEAR 39		1				
057	253823-7	FLAT WASHER 7		1				
058	264064-0	HEX.NUT M6		1				
059	266229-0	H.S.SET SCREW(CUP POINT)M5X8		1				
060	141002-8	BLADE CASE COMPLETE		1				
C10	213953-6	O RING 24		1				
061	262511-5	RUBBER SLEEVE 6		1				
062	265115-2	+ PAN HEAD SCREW M5		1				
063	452786-6	CONNECTOR BOX		1				
064	452788-2	COVER		1				
065	266042-6	TAPPING SCREW BIND CT 4X20		1				
066	631694-6	LED CIRCUIT		1				
067	961014-3	STOP RING E-8		1				
068	272260-6	LEVER 55		1				
069	265595-2	HEX.BOLT M6X85		1				
070	253804-1	FLAT WASHER 6		1				
071	346477-8	COLLOR		1				
072	318245-9	DEPTH GUIDE		1				
073	346477-8	COLLOR		1				
074	922137-2	HEX. SOCKET HEAD BOLT M4X20		1				
075	345876-1	REAR ANGULAR GUIDE		1				
076	252126-6	HEX. LOCKING NUT M4-7		1				
077	256480-0	SHOULDER PIN 6-7		1				
078	961012-7	STOP RING E-6		2				
079	453165-1	LOCK LEVER		2				
080	265571-6	HEX. BOLT M6X10		2				
081	233596-8	TORSION SPRING 11		2				
082	256480-0	SHOULDER PIN 6-7		1				
083	265072-4	+ PAN HEAD SCREW M5		1				
084	345590-9	ANGULAR GUIDE		1				
087	252103-8	HEX. LOCK NUT M5-8		1				
096	265708-5	SCREW M6X20		1				
097	942151-2	SPRING WASHER 6		1				
098	941151-9	FLAT WASHER 6		1				
099	266039-5	H.S.SET SCREW(FLAT POINT) M6X6		1				
100	310511-0	BASE		1				

